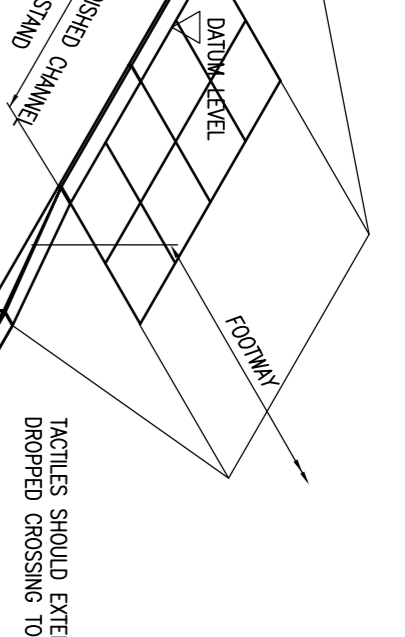
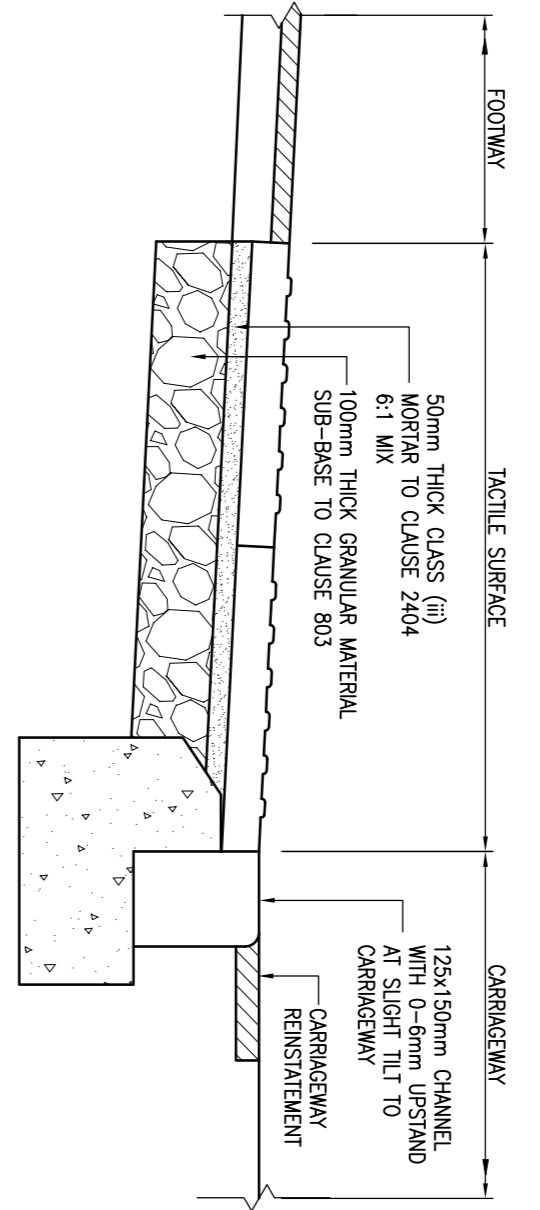


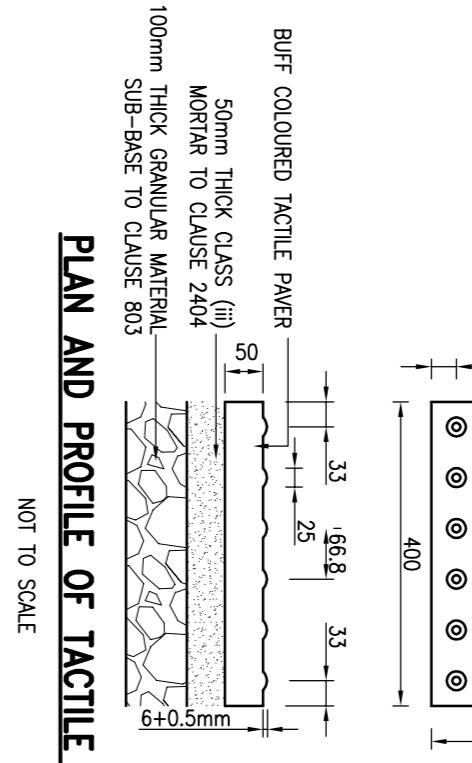
BIFF COLOURED BLISTER TACTILE SLABS SHALL BE 400x400x50MM MANUFACTURED TO BS EN 1399 AND BS 12971 WHERE A SURFACE COVER OCCURS WITHIN AN AREA OF 2500mm² OR MORE. THE SURFACE COVER SHALL BE 100mm² OF 3000mm² TILES TO THE SURFACE AREA OF THE COVER TO PROVIDE CONTINUITY OF PATTERN, THE TILES SHALL MATCH THE SURROUNDING TACTILE IN PATTERN AND COLOUR AND BE ALL INSTALLED IN ACCORDANCE WITH MANUFACTURERS INSTRUCTIONS.



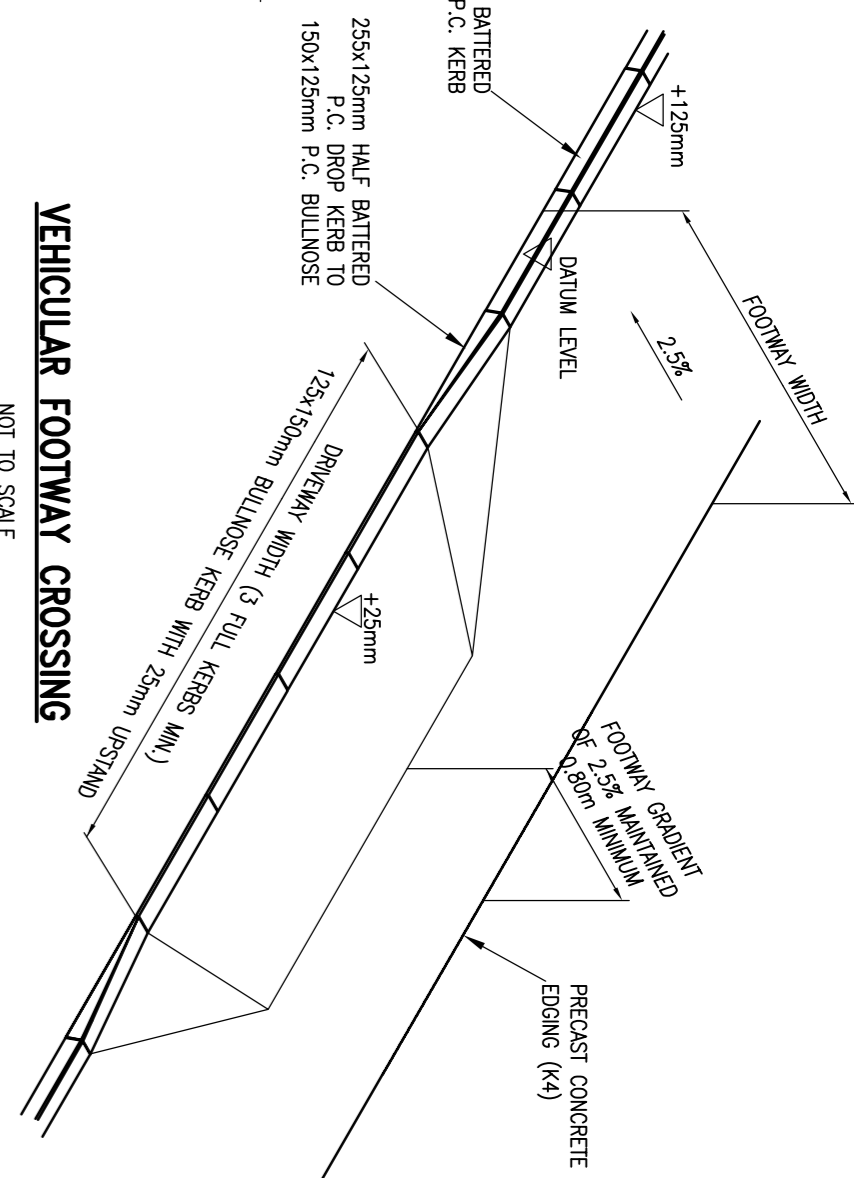
UNCONTROLLED PEDESTRIAN CROSSING
NOT TO SCALE



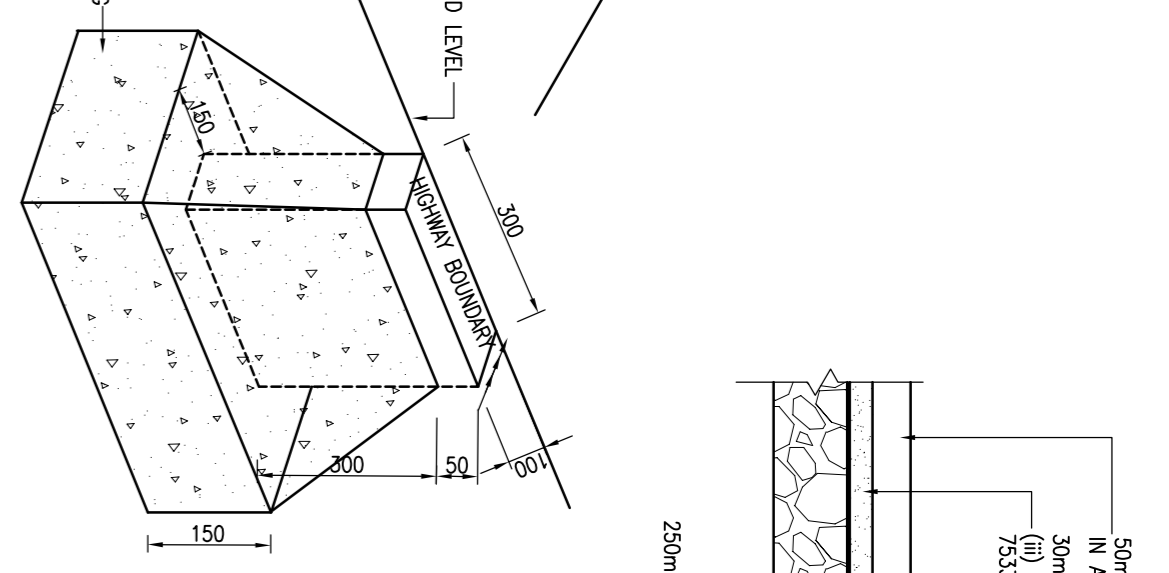
TACTILE PAVING BEDDING DETAIL
SCALE 1:10



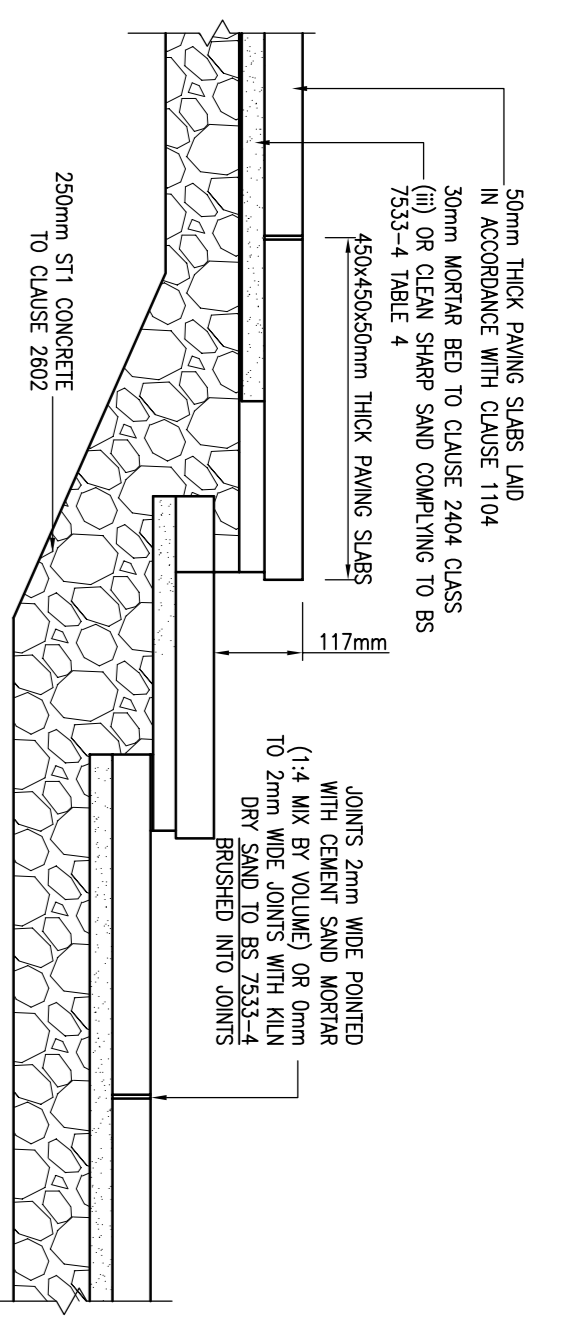
PLAN AND PROFILE OF TACTILE PAVING
NOT TO SCALE



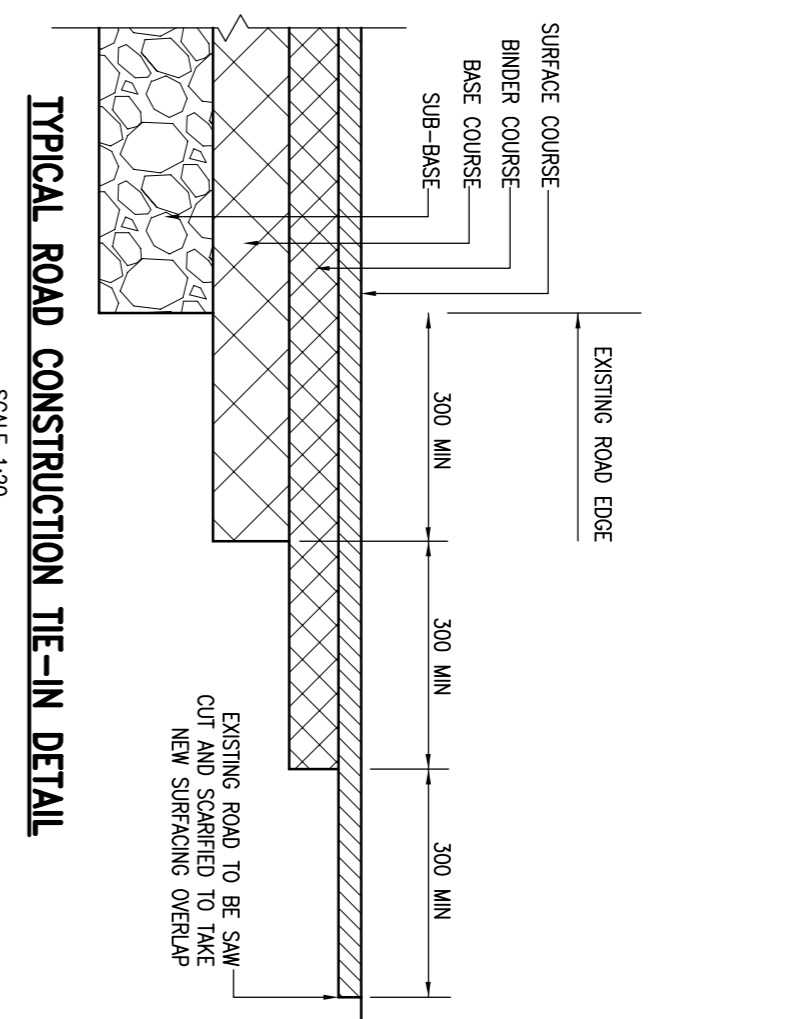
VEHICULAR FOOTWAY CROSSING
NOT TO SCALE



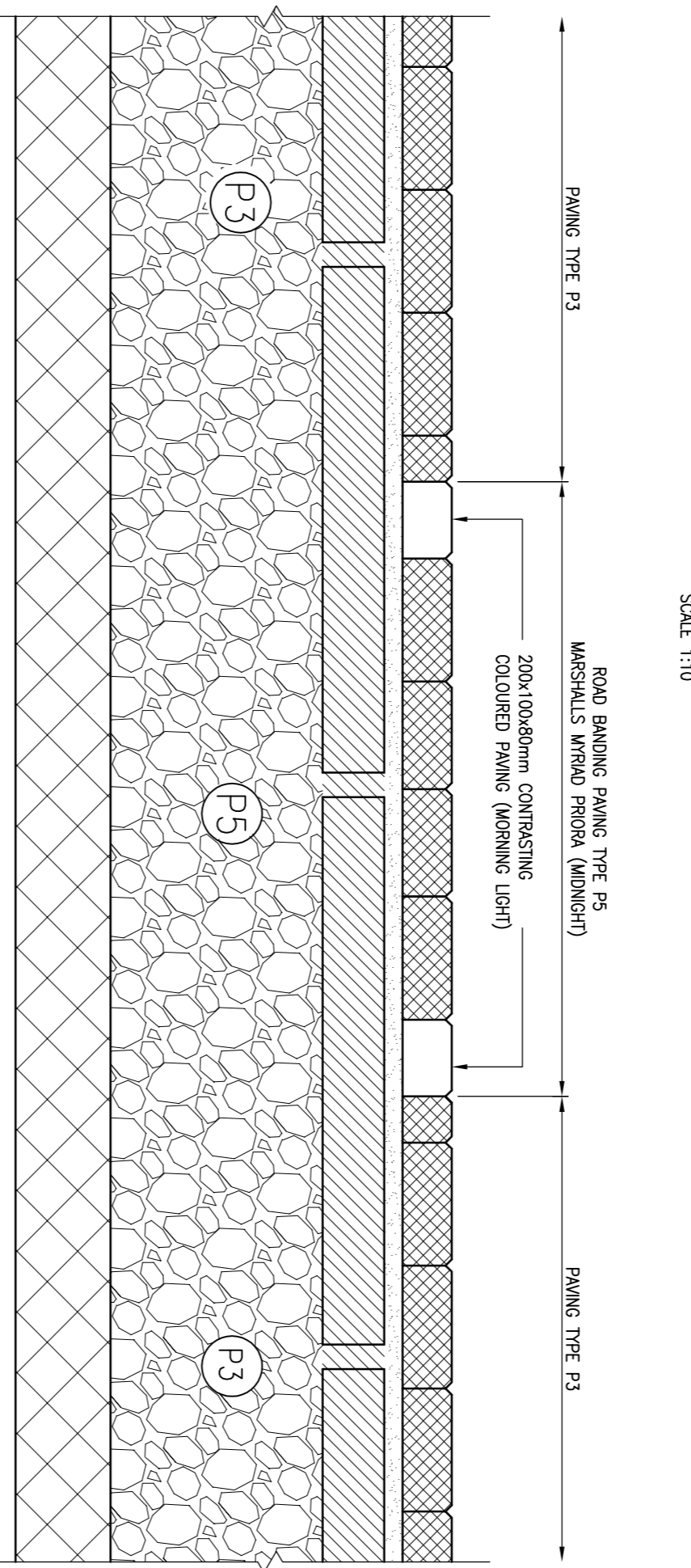
HIGHWAY BOUNDARY MARKER
SCALE = 1:10



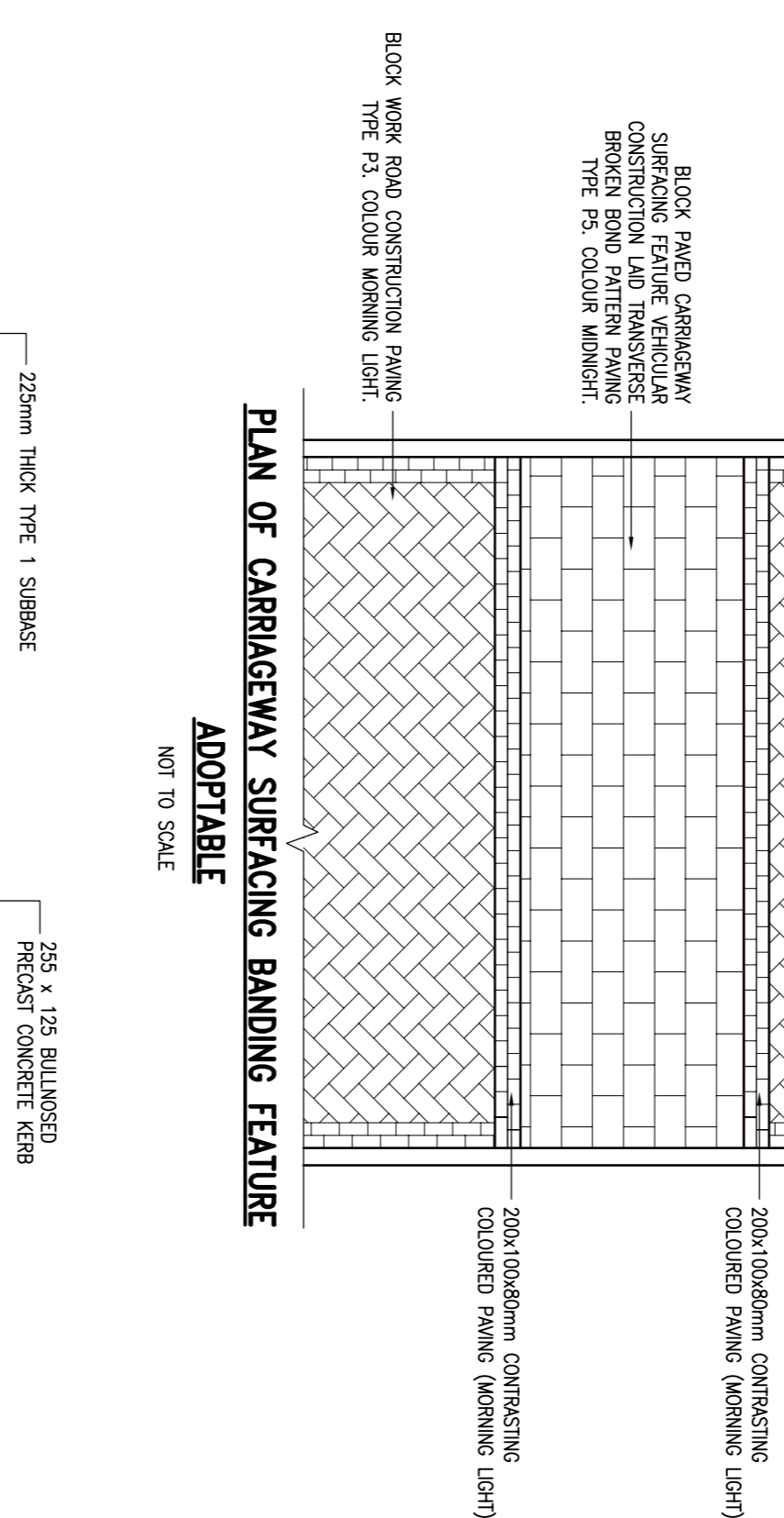
PRIVATE PATH STEP DETAIL
SCALE 1:10



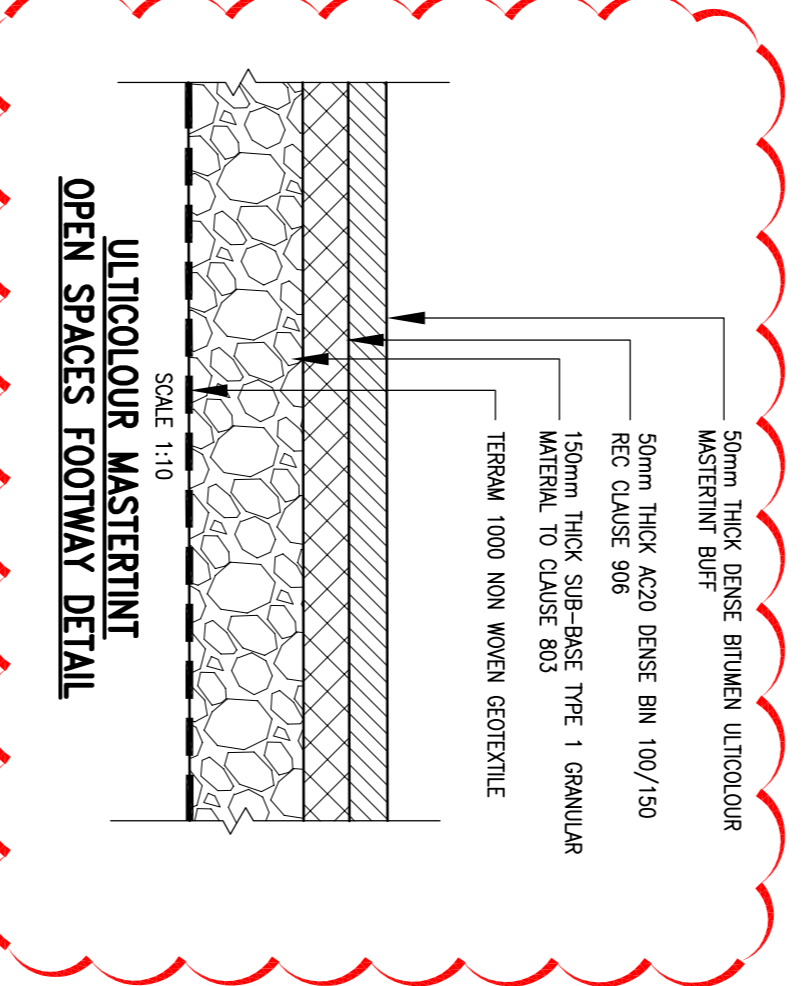
TYPICAL ROAD CONSTRUCTION TIE-IN DETAIL
SCALE 1:20



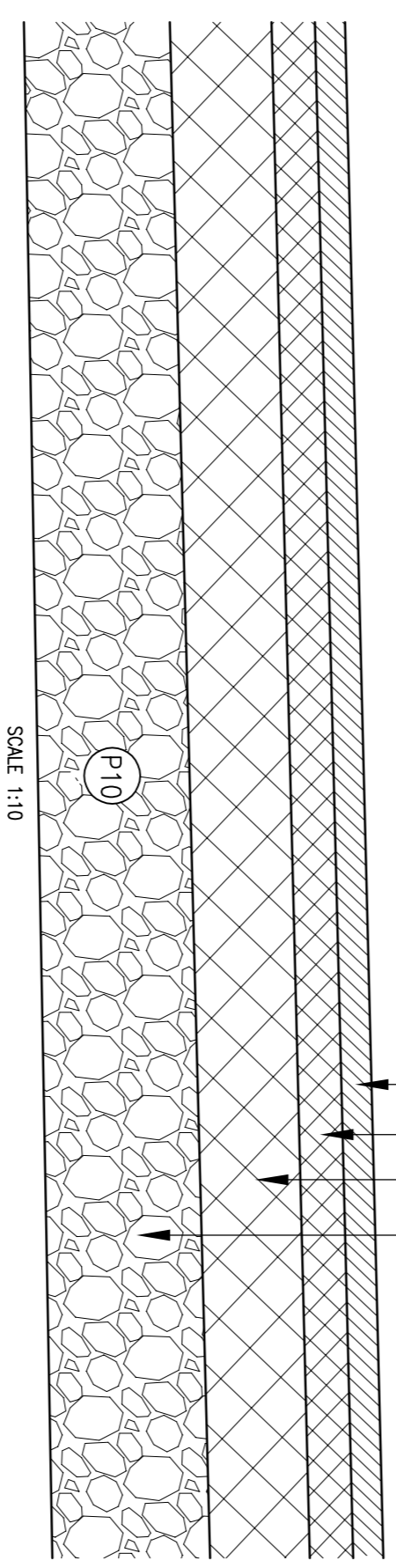
TYPICAL SECTION THROUGH CARRIAGEWAY BANDING FEATURE PAVING TYPE P5 ADOPTABLE
SCALE 1:10



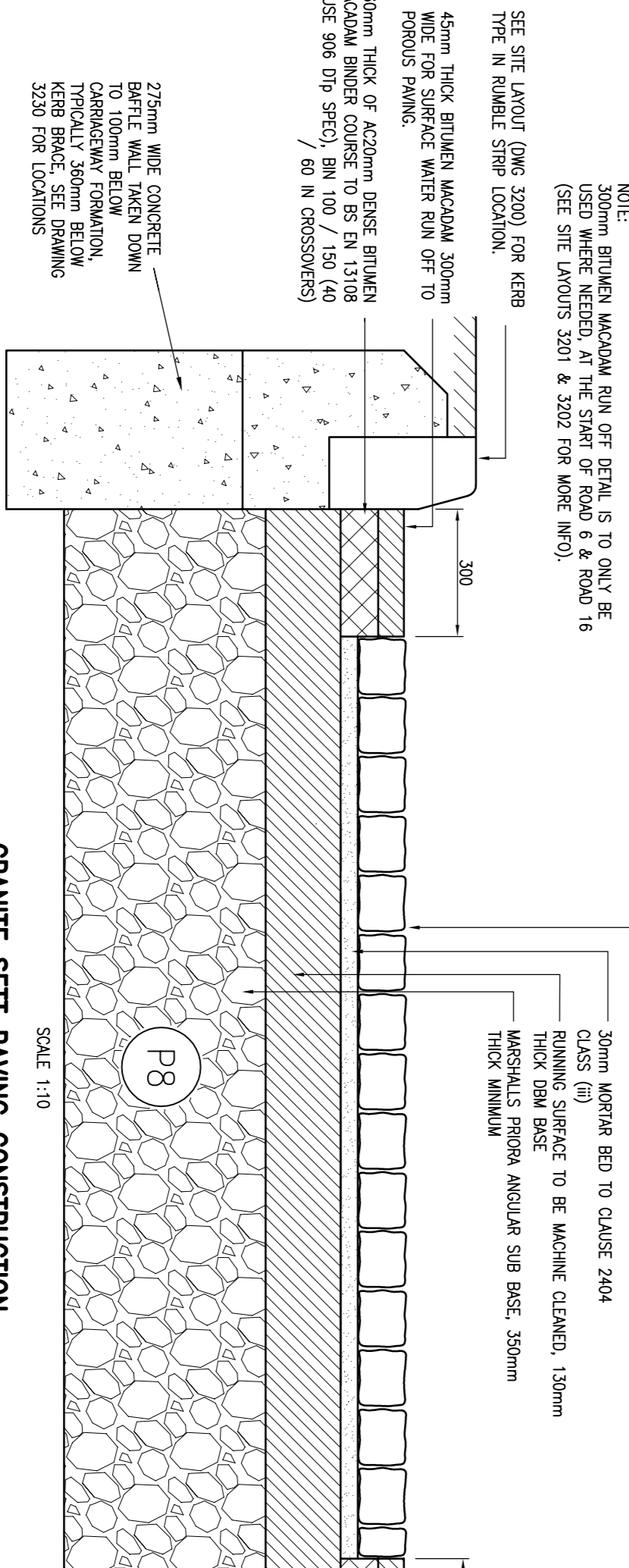
PLAN OF CARRIAGEWAY SURFACING BANDING FEATURE ADOPTABLE
NOT TO SCALE



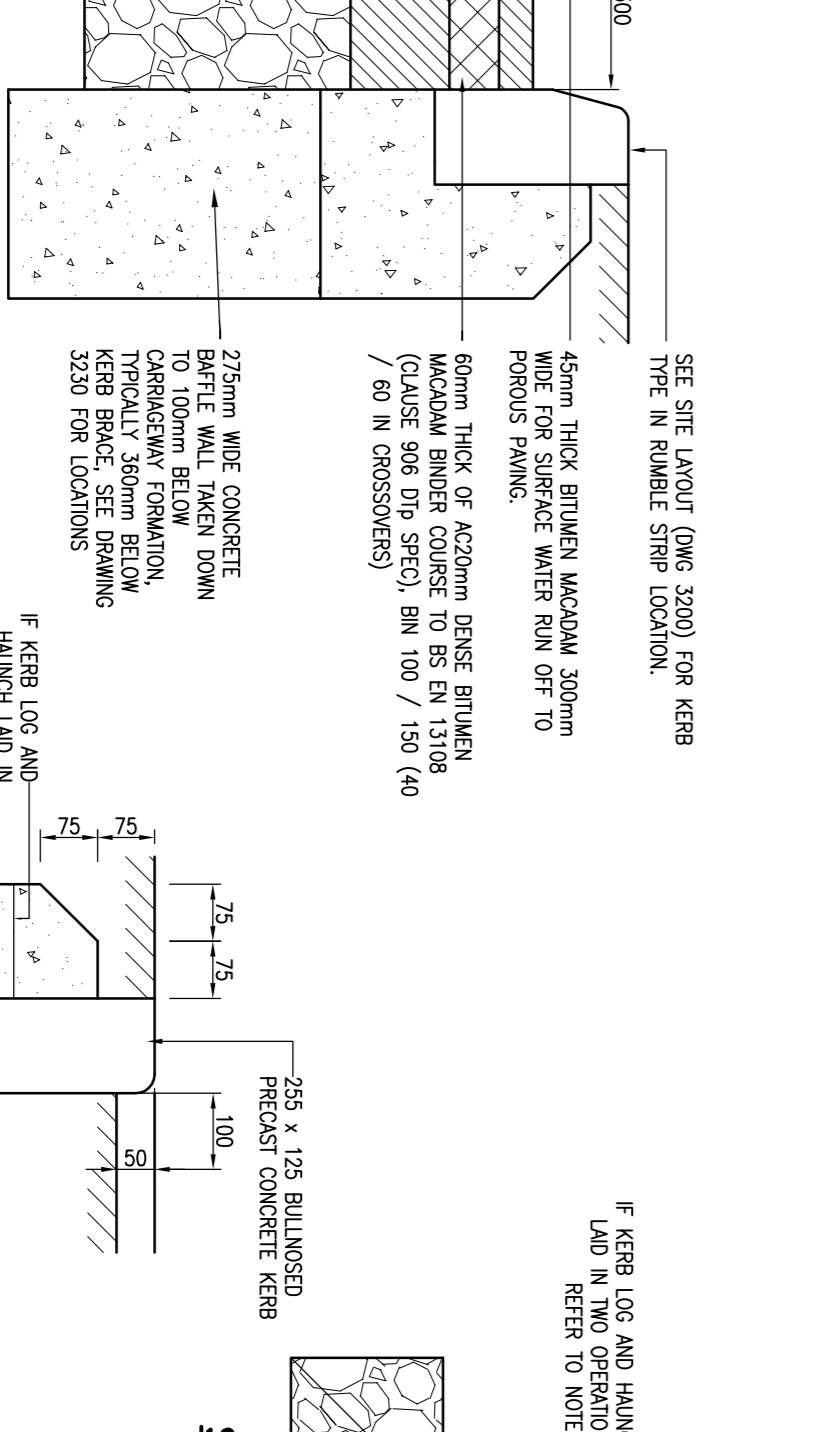
ULTRACOLOUR MASTERINT OPEN SPACES FOOTWAY DETAIL
SCALE 1:10



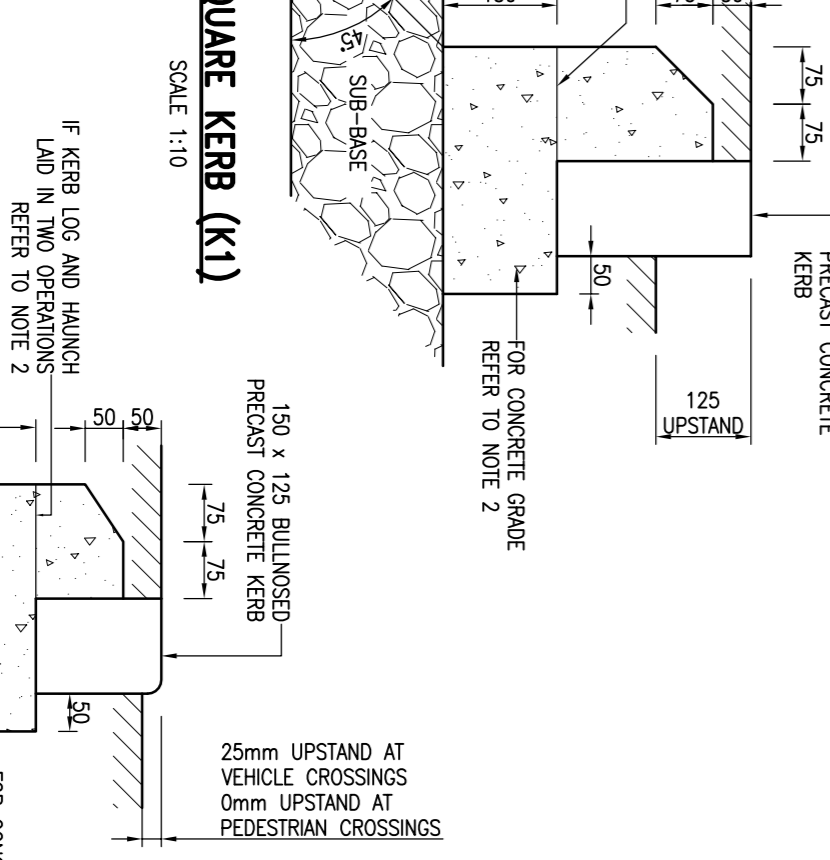
SWALE DRAINED ADOPTED ROAD WITH ULTRACOLOUR MASTERINT P10 SURFACING CARRIAGEWAY DETAIL
SCALE 1:10



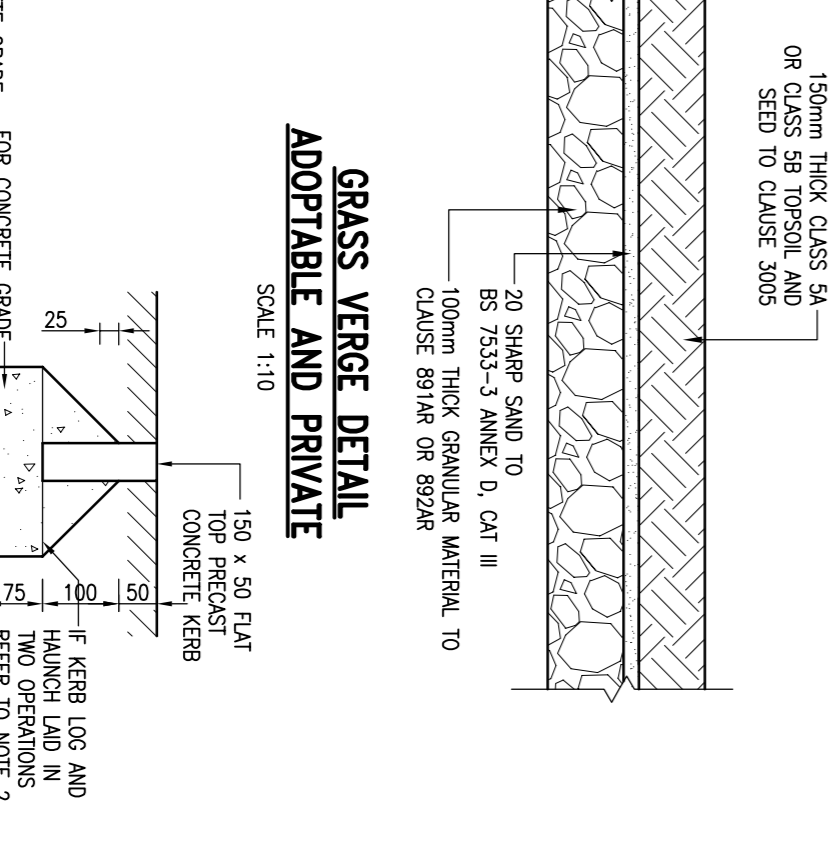
GRANITE SETT PAVING CONSTRUCTION ADOPTABLE CARRIAGEWAYS PAVING TYPE P8
SCALE 1:10



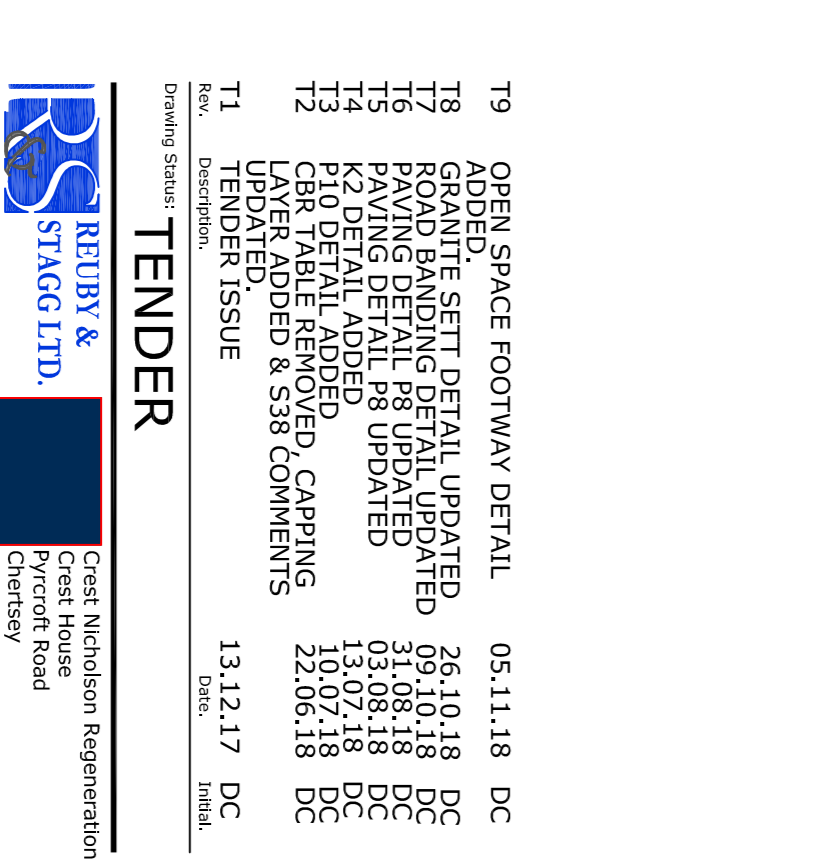
KERB DETAIL W/O BIFFLE
SCALE 1:10



SQUARE KERB (K1)
SCALE 1:10



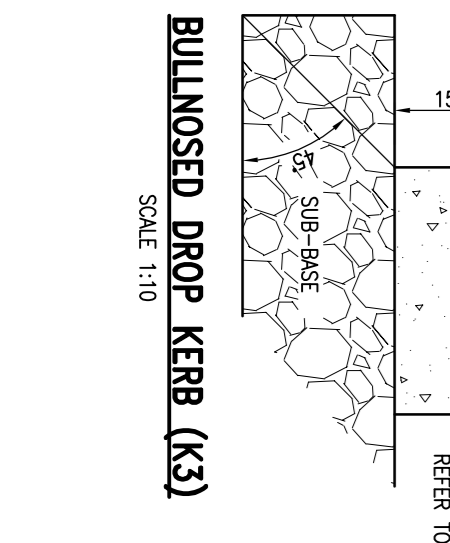
BULLWOSED DROOP KERB (K3)
SCALE 1:10



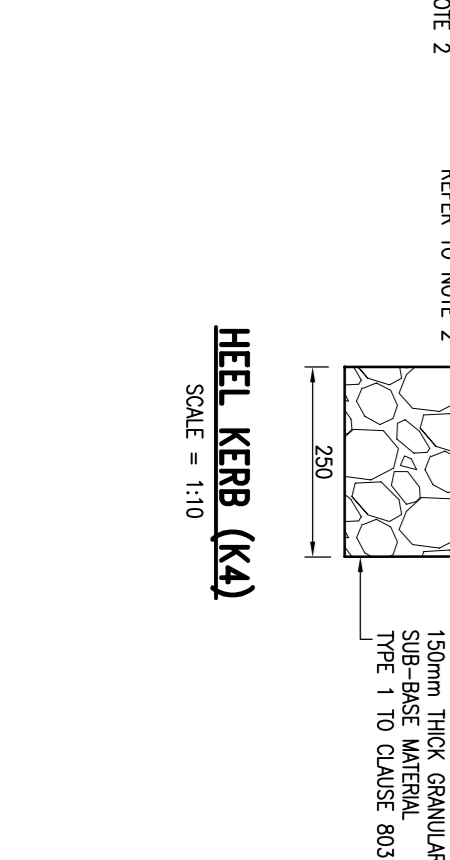
HEEL KERB (K4)
SCALE = 1:10



50mm UPSTAND BULLWOSED KERB (K2)
SCALE 1:10



BULLWOSED DROOP KERB (K3)
SCALE 1:10



HEEL KERB (K4)
SCALE = 1:10

NOTES
1. THIS DRAWING IS COPYRIGHT.
2. THE CONTRACTOR AND HIS SUBCONTRACTOR ARE TO VERIFY ALL DIMENSIONS ON SITE PRIOR TO MAKING SHOP DRAWINGS OR COMMENCING MANUFACTURE.
3. DO NOT SCALE THIS DRAWING.
4. THE CONTRACTOR IS TO BRING TO THE NOTICE OF THE ENGINEER ANY DISCREPANCIES CONTAINED IN THIS DRAWING PRIOR TO WORK COMMENCEMENT.
5. THIS DRAWING IS TO BE READ IN CONJUNCTION WITH ALL RELEVANT ARCHITECTS' ENGINEERS AND SPECIALIST SUB-CONTRACTORS DRAWINGS AND THE SPECIFICATION.
6. ALL SETTING OUT TO BE IN ACCORDANCE WITH THE ARCHITECTS DRAWINGS. ANY DISCREPANCIES BETWEEN THE ENGINEERS AND THE ARCHITECTS DRAWINGS TO BE REFERRED TO THE ARCHITECT BEFORE PROCEEDING. DIMENSIONS MUST NOT BE SCALED.
7. THIS DRAWING HAS BEEN PRODUCED BASED UPON LAYOUTS COMPILED AND SUPPLIED BY THE ARCHITECT IN ELECTRONIC FORMAT. NO RESPONSIBILITY IS TAKEN FOR ANY INACCURACIES AND/OR OMISSIONS IN THE INFORMATION AS SUPPLIED.
8. ALL WORKS TO BE INCLUDED IN THE SECTION 38 AGREEMENT SHALL BE IN ACCORDANCE WITH THE OXFORDSHIRE COUNTY COUNCIL DESIGN GUIDE AND THE SPECIFICATION FOR HIGHWAY WORKS PUBLISHED BY THE DEPARTMENT FOR TRANSPORT.
9. HEALTH & SAFETY:
ALL WORKS TO BE CARRIED OUT BY A CONTRACTOR COMPETENT TO UNDERTAKE THE CONSTRUCTION OF WORKS AS INDICATED ON THIS DRAWING. THE CONTRACTOR SHALL BE RESPONSIBLE FOR THE JOB DESIGNING AND ASSESSING THE HAZARD AND RISK TO THE WORKER AND THE WORKER HAZARDS AND RISKS FACED BY A COMPETENT CONTRACTOR WHEN DEALING WITH THE TYPE OF WORKS DETAILED ON THIS DRAWING.

No.	Description	Date	Initials
T9	OPEN SPACE FOOTWAY DETAIL	05.11.18	DC
T8	ADDN. SETT DETAIL UPDATED	26.10.18	DC
T7	ROAD BANDING DETAIL UPDATED	09.10.18	DC
T6	PAVING DETAIL P8 UPDATED	31.08.18	DC
T5	K2 DETAIL ADDED	13.07.18	DC
T4	K1 DETAIL ADDED	10.07.18	DC
T3	P10 DETAIL ADDED	22.06.18	DC
T2	CERAMIC REMOVED CARPPING UPDATED.	22.06.18	DC
T1	TENDER ISSUE	13.12.17	DC

TENDER

Drawn: Stuart
Checked: DC

RETUBY & STANG LTD
Crest House
Cherry
K116 9SN
Tel: 01937 580 333
Fax: 01937 580 399
www.retubyandstang.com

Crest
Tel: 01937 580 333
Fax: 01937 580 399
www.cresthighways.com

Client: NTS
Project: ROAD CONSTRUCTION DETAILS
Drawn: NTS
Checked: DC
Date: JUL 18
Page: 11 of 18
Revision: T9