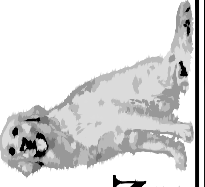
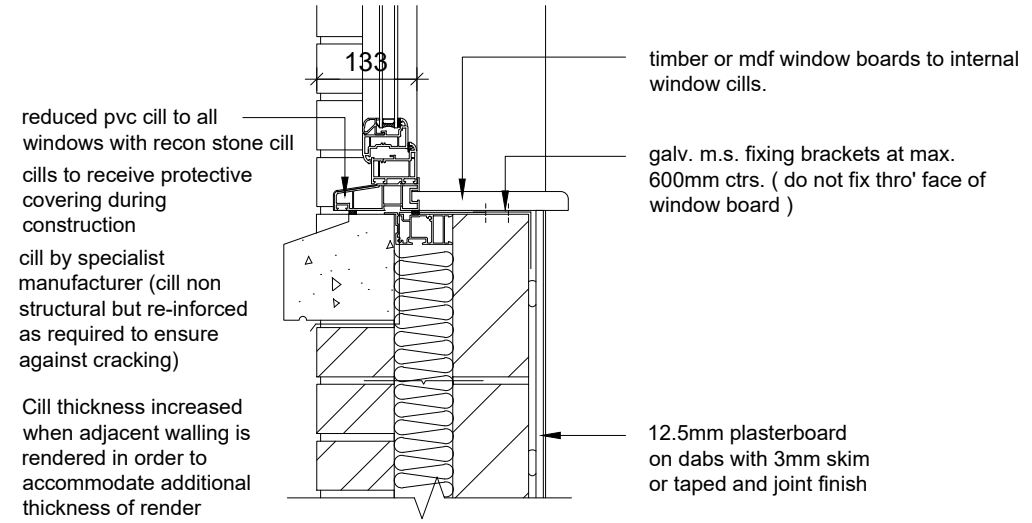


scale 1:10



**DAVID
WILSON
HOMES**



cill to be recon stone or concrete (painted on insitu with external quality masonry paint). If cill does not comply with manual handling limits then suitable lifting eyes are to be incorporated.

A dpc (either separate or combined as part of a proprietary cavity closer) should be provided at jambs of openings and at heads and sills as required by the design.

Where a jointed or permeable sill is used a dpc should be placed between the sill and the outer leaf, turned up at the back and ends of the sill.

Date:

Description:

Rev:

Title: **STONE CILL DETAIL**

BODICOTE, BANBURY

Detail No: **CD/6839/10**

Scale: 1:10 Date: DEC 14 Drawn: RDH Checked: RDH