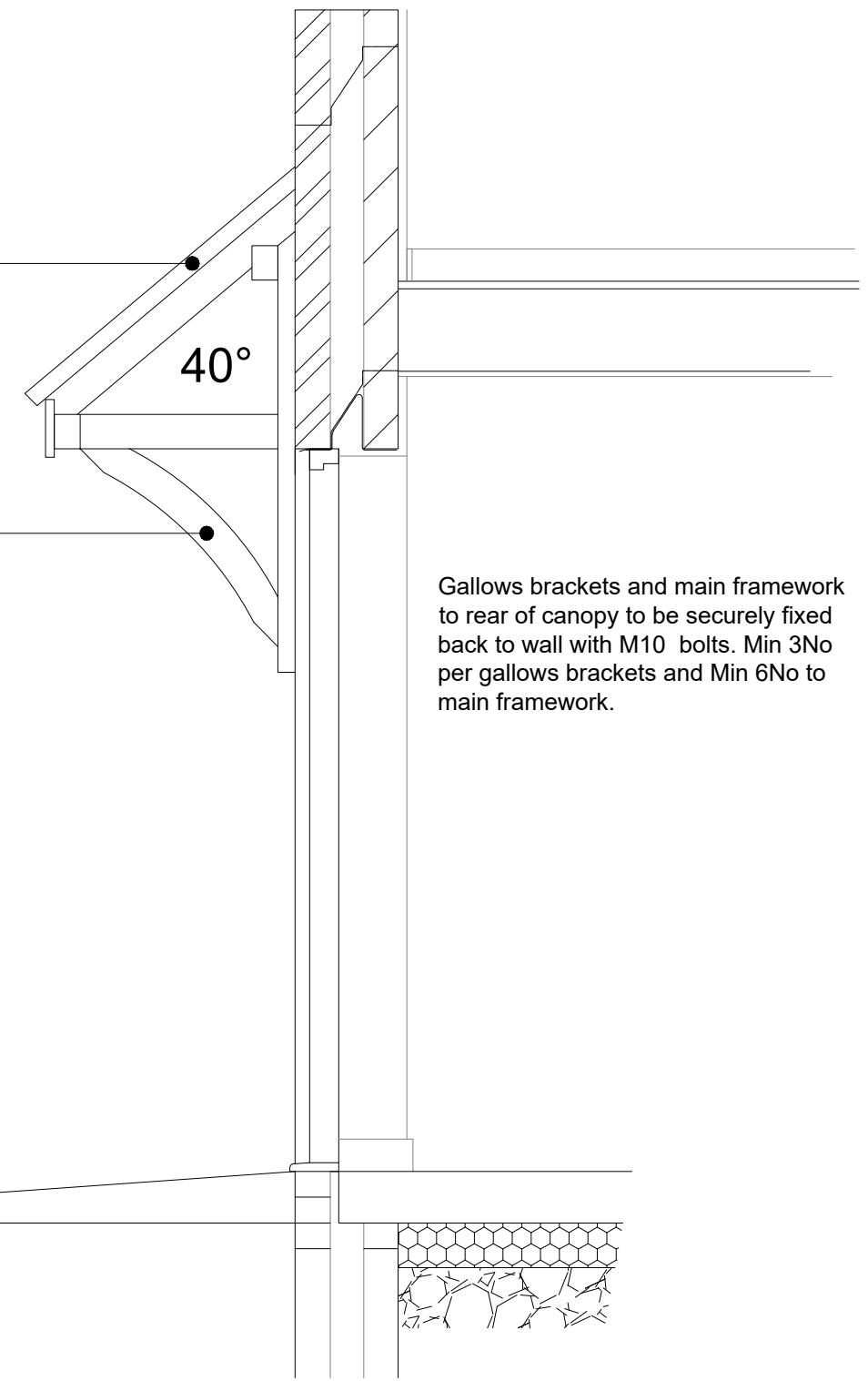


Lead flashing to top row of canopy roof tiles, with cavity tray extended across cavity and weep holes left in perpend joints of course above flashing at 450mm c/s.

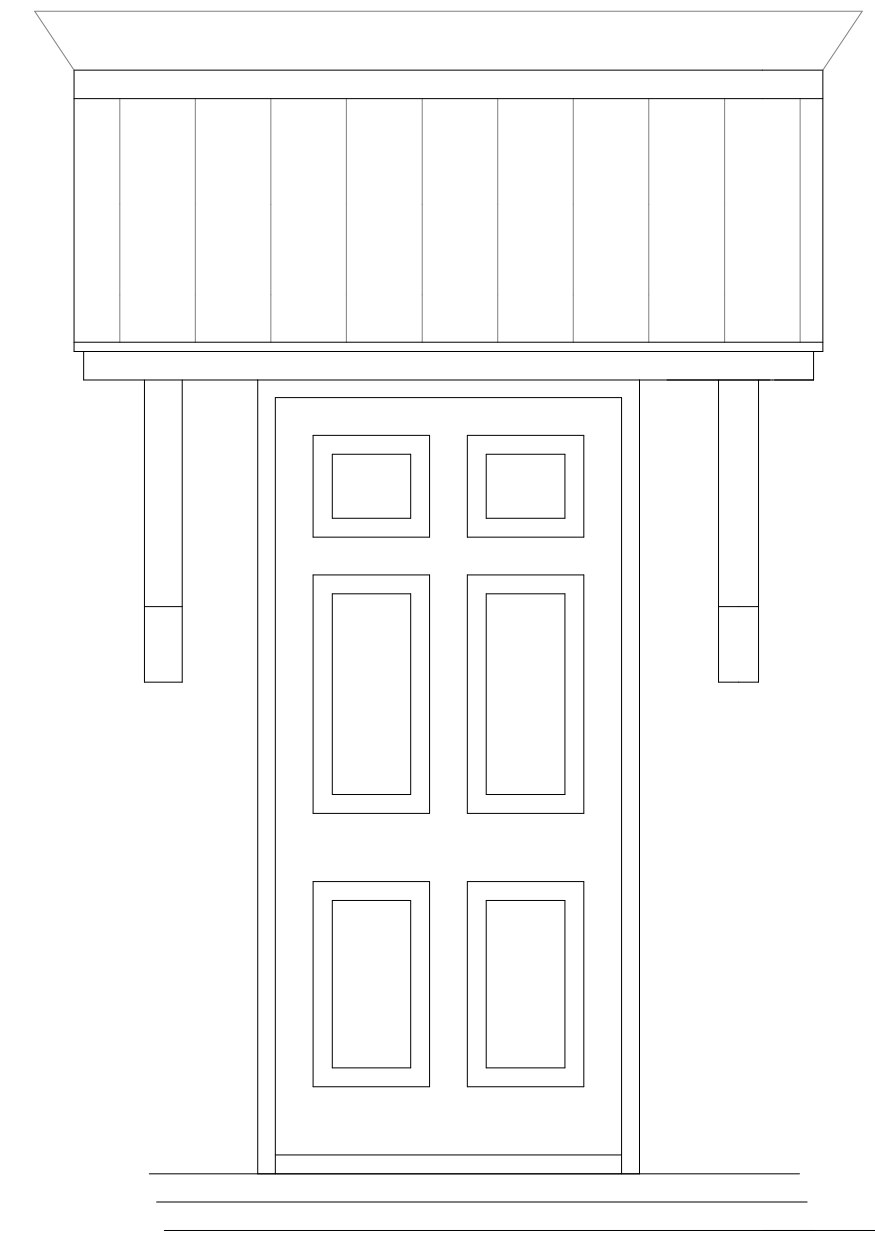
Plain tiles to match colour of main roof on 37 x 25mm treated timber battens on untearable roofing felt on 6mm external quality ply on trusses

75 x 100mm SW. timber with chamfer detail to form gallows bracket

75 x 100mm SW. timber shaped, to provide support



Gallows brackets and main framework to rear of canopy to be securely fixed back to wall with M10 bolts. Min 3No per gallows brackets and Min 6No to main framework.



Date: 22.4.15

Description: GRP NOTE REMOVED

Rev: A

Title: LEAN TO PORCH ROOF
BODICOTE, BANBURY

Detail No: CD/6839/10

Scale: 1:20 Date: DEC 14 Drawn: RDH Checked: RDH