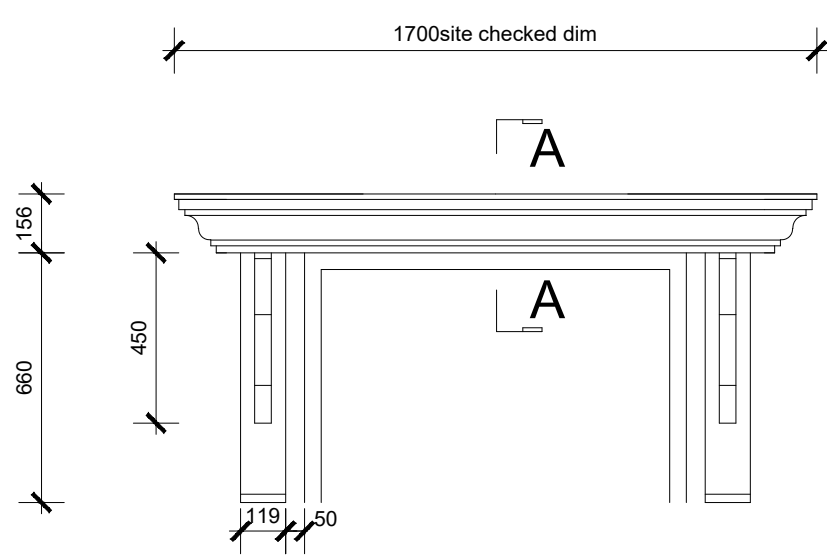
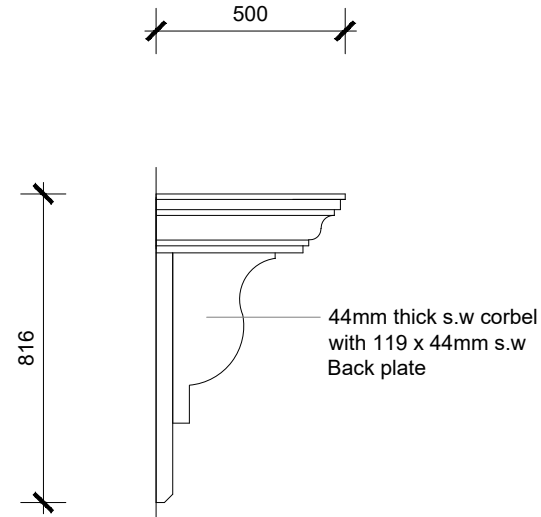


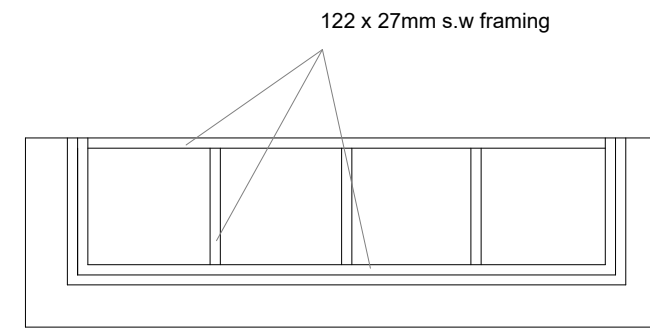
Section AA



Front Elevation



End Elevation



Ladder Frame Plan Detail

15mm plywood top



Date: 22.4.15

Description: GRP CANOPY DETAIL REMOVED

Rev: A

House Type: FLAT CANOPY PORCH DET
 Description: BODICOTE, BANBURY
 Detail No: CD/6839/08
 Scale: 1:20, 1:10 Date: APRIL 15 Drawn: RDH Checked: RDH