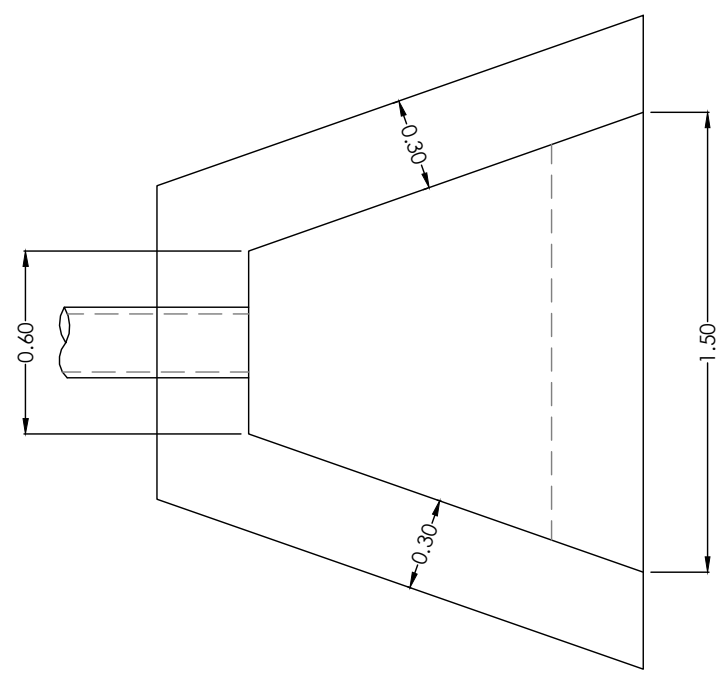
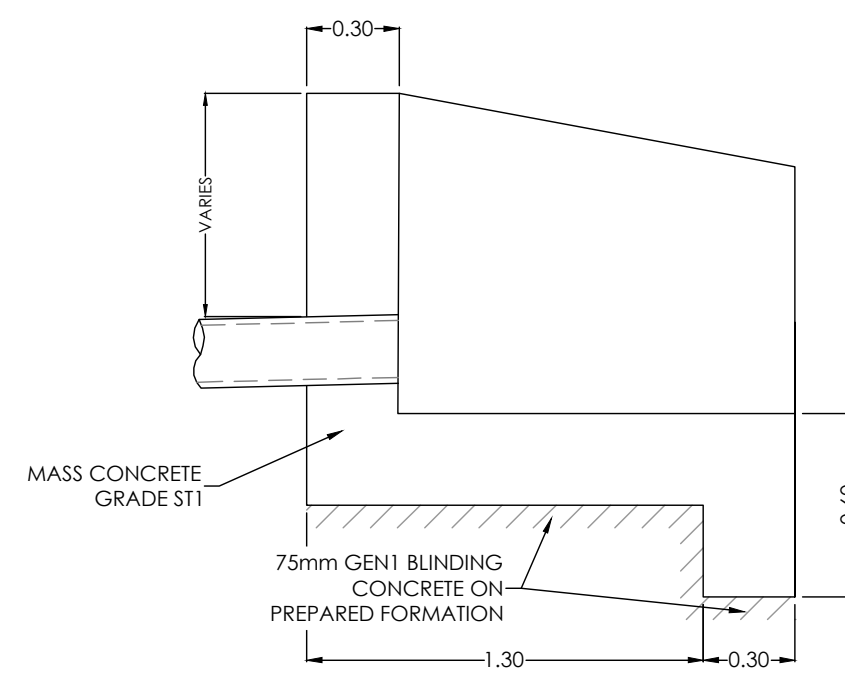


FRONT ELEVATION

NOTES:
 PERMANENT FIXED GRILL ANGLED WITH SLOPE OF SIDE WALLS TO ALLOW RAKING FROM SURFACE.
 ALL SCREENS TO BE MADE UP OF STEEL ANGLES 70x70x10mm JOINTED TOGETHER WITH 6mm FILLET WELD AND HOT DIPPED GALVANISED. TO BS729. GRILL BARS TO BE 50x12mm FLAT BARS AT 100mm SPACING BETWEEN BARS.
 SCREEN TO BE FIXED TO STRUCTURE USING M20 ANCHOR BOLTS.
 ALL SCREEN COMPONENTS TO BE GALVANISED TO SHW CL 1911.1

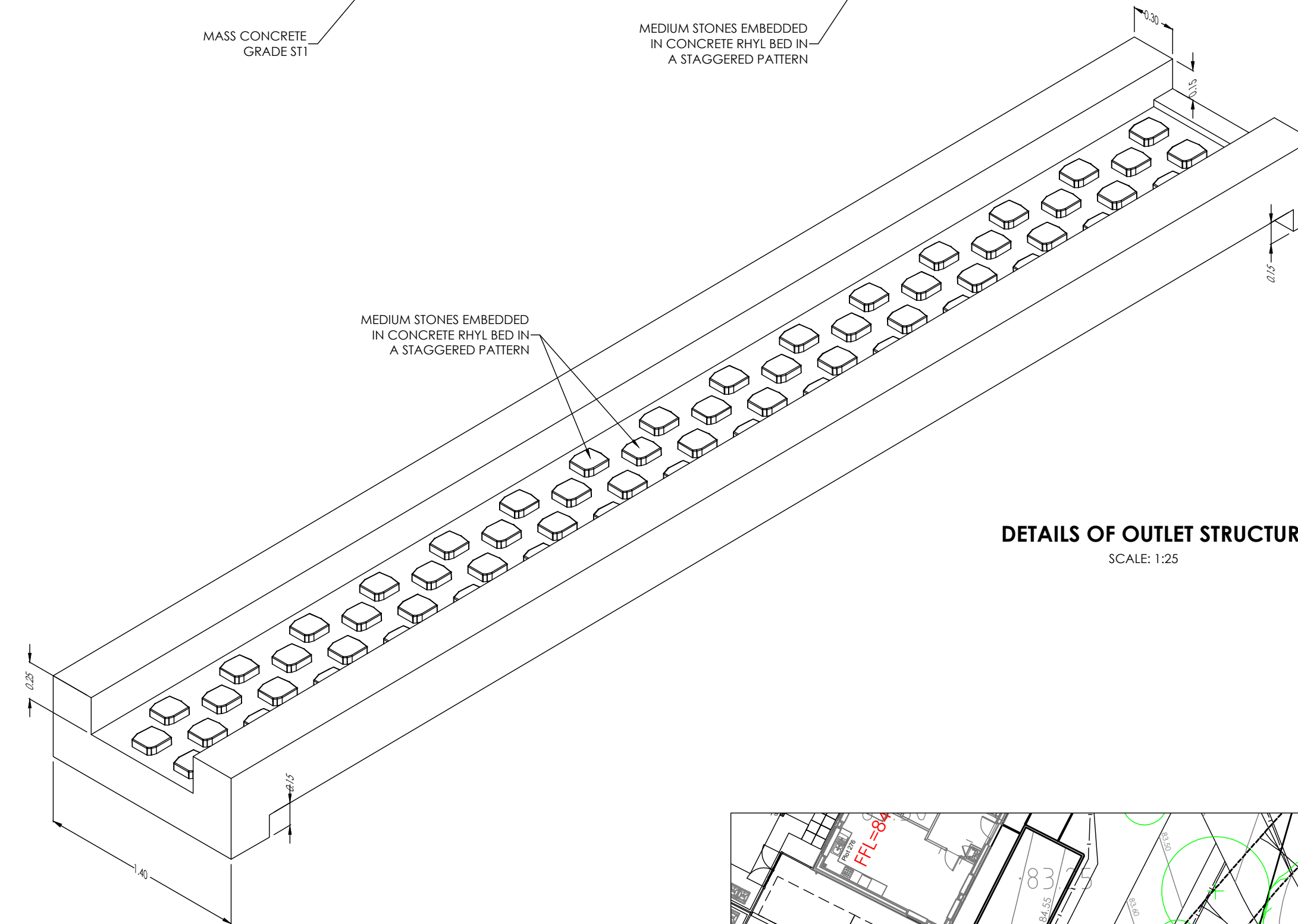
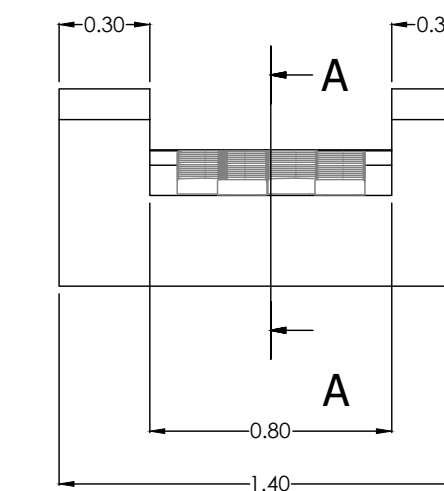
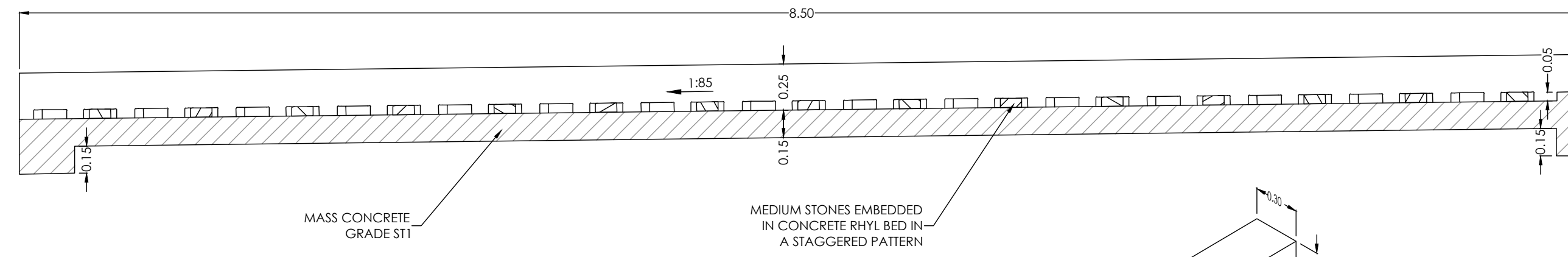


PLAN

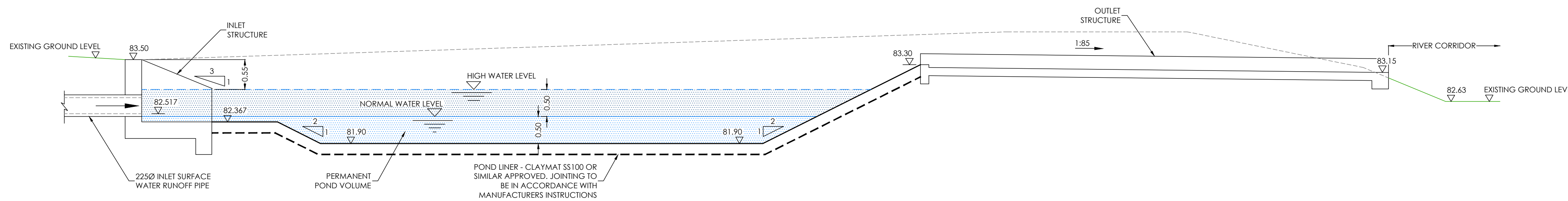
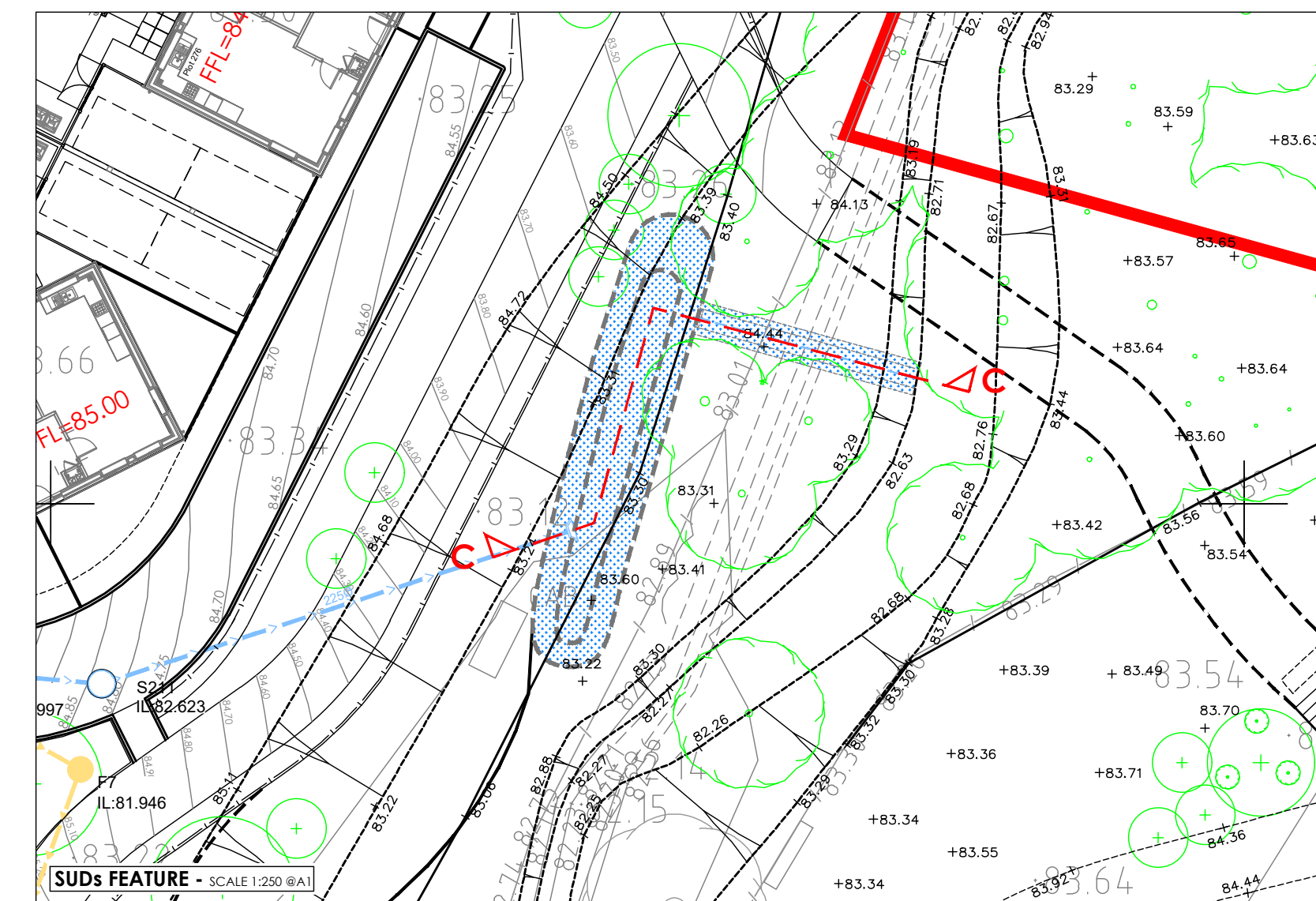


**SECTION
INLET STRUCTURE**

**DETAILS OF INLET STRUCTURE
SCALE: 1:25**



**DETAILS OF OUTLET STRUCTURE
SCALE: 1:25**



**SECTION C-C
SCALE: 1:50**

NOTES:
 1. All dimensions and levels are in metres unless otherwise noted
 2. This drawing is to be read in conjunction with the relevant Architect's/Engineer's drawings, specifications and CDM documentation
 3. This drawings has been produced electronically and may have been photo reduced or enlarged when copied. Work to figured dimensions only (DO NOT SCALE). All dimensions to be checked on site. Any errors or omissions to be reported to the engineer immediately.
 4. This drawing contains coloured lines / information that may not be clear if reproduced in black and white.

NOTES:
 1. DO NOT SCALE FROM THIS DRAWING. USE FIGURED DIMENSIONS ONLY.
 2. ALL DRAWINGS TO BE CHECKED PRIOR TO CONSTRUCTION OR MANUFACTURE. ANY DISCREPANCIES TO BE REPORTED TO THE ENGINEER IMMEDIATELY.
 3. ALL DIMENSIONS ARE IN METERS UNLESS STATED OTHERWISE
 4. THE DESIGN, CONSTRUCTION AND MATERIALS FOR ALL ADOPTABLE DRAINAGE APPARATUS MUST COMPLY WITH 'SEWERS FOR ADOPTION 4TH EDITION' AND THE PARTICULAR REQUIREMENTS OF THE STATUTORY UNDERTAKER

PO2	SNN	TST	Initial Issue	02/05/17
Rev	Drawn by	Chk'd by	Comments	Date



DRAWING TITLE
 SUDs Feature Area 3
 Construction Details

PROJECT
 Phase 2
 Bicester Eco Village
 Bicester
 Oxon

DESIGNED BY TST	DRAFTED BY SNN	APPROVED BY DJ
DATE 02/05/17	STATUS INFORMATION	

SCALE
As Noted

CLIENT

Infrastruct CS Ltd

JOB NUMBER 15-1859	DRAWING NUMBER 85-2	REVISION P01
-----------------------	------------------------	-----------------