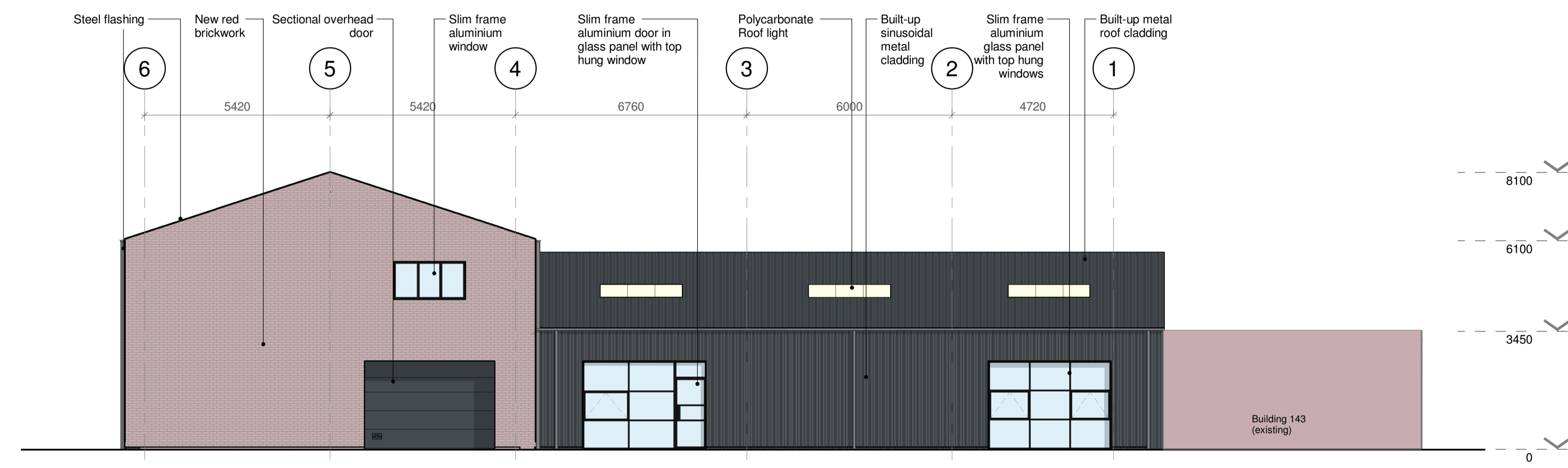
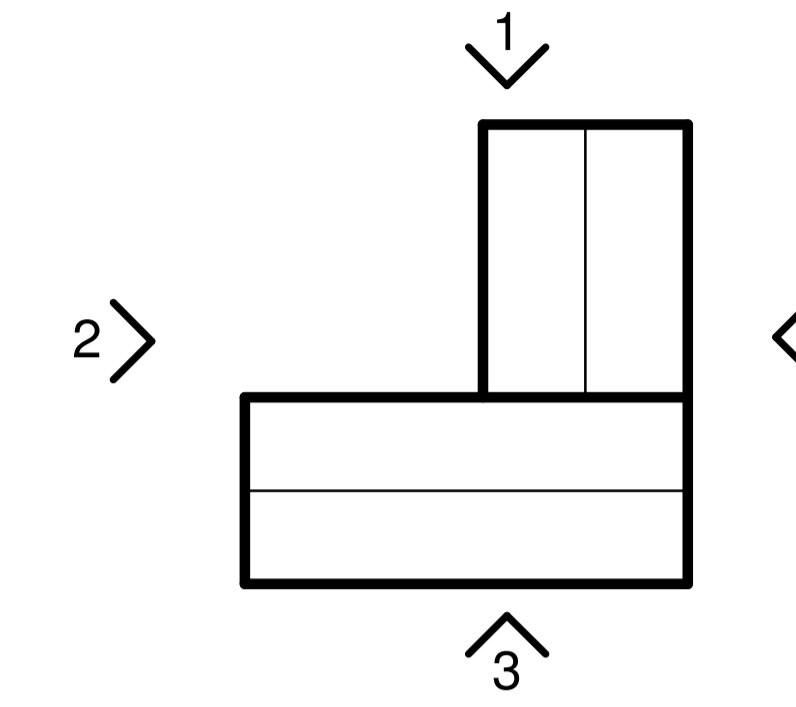


2. North-West Elevation
1 : 100



4. South-East Elevation
1 : 100

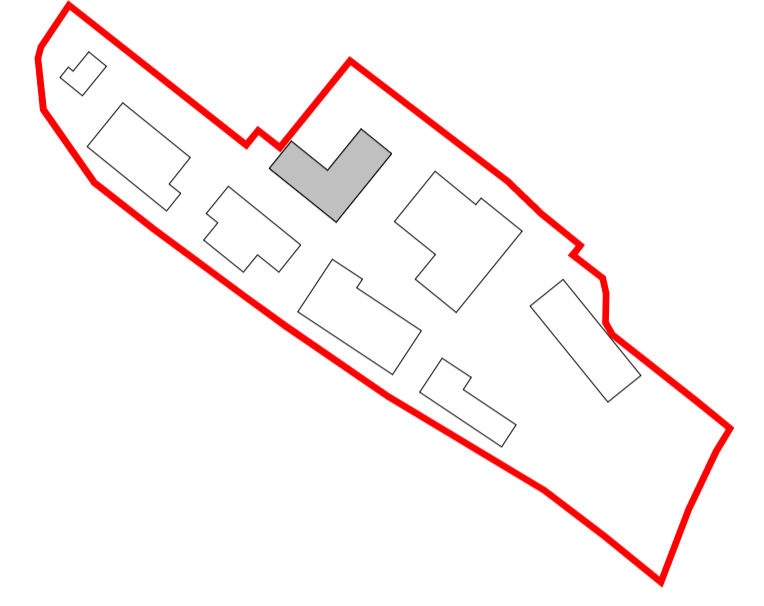
Colour Palette

- Glazing
- Profiled Roof (Anthracite)
- Profiled Metal Cladding (Anthracite)
- New Brick



DISCLAIMER NOTES:

- THIS DOCUMENT IS COPYRIGHT OF THE ORIGINATOR AND MUST BE TREATED AS CONFIDENTIAL.
- THIS DOCUMENT MUST NOT BE ALTERED, REPRODUCED OR DISTRIBUTED WITHOUT PRIOR WRITTEN CONSENT OF THE ORIGINATOR.
- THIS DOCUMENT MUST NOT BE ALTERED - THE ORIGINATOR ACCEPTS NO RESPONSIBILITY FOR ANY DISCREPANCIES ARISING AS A RESULT OF THE ORIGINATORS INFORMATION BEING ALTERED BY OTHERS.
- ANY DISCREPANCY MUST BE REPORTED TO THE ORIGINATOR.
- DO NOT SCALE THIS DOCUMENT - USE FIGURED DIMENSIONS ONLY.
- ALL DIMENSIONS MUST BE CHECKED ON SITE PRIOR TO COMMENCEMENT OF ANY RELATED WORKS.
- THIS DOCUMENT MUST BE READ IN CONJUNCTION WITH ALL SUPPORTING DOCUMENTS PRODUCED BY THE ORIGINATOR AND OTHER PROJECT DISCIPLINES.
- THE ORIGINATOR ACCEPTS NO RESPONSIBILITY FOR THE ACCURACY OF BACKGROUND INFORMATION PRODUCED BY THIRD PARTIES - THIS MUST BE TREATED AS INDICATIVE ONLY.
- USERS OF THIS DOCUMENT ARE RESPONSIBLE FOR CHECKING WHICH REVISION IS CURRENT.
- THE DOCUMENT STATUS "INFORMATION" OR "PRELIMINARY", INDICATES THAT THIS DRAWING IS FOR REFERENCE PURPOSES ONLY - THE ORIGINATOR WILL ACCEPT NO RESPONSIBILITY FOR THE COMPLETENESS OF INFORMATION UNDER THIS STATUS.
- THE DOCUMENT STATUS "RECORD" OR "AS BUILT" HAS BEEN PREPARED, IN PART, BASED UPON INFORMATION FURNISHED BY OTHERS. WHILE THIS INFORMATION IS BELIEVED TO BE RELIABLE, THE ORIGINATOR ASSUMES NO RESPONSIBILITY FOR THE ACCURACY OF THIS "RECORD" OR "AS BUILT" DOCUMENT OR FOR ANY ERRORS OR OMISSIONS THAT MAY HAVE BEEN INCORPORATED INTO IT AS A RESULT OF INCORRECT INFORMATION PROVIDED TO THE ORIGINATOR. THOSE RELYING ON THE "RECORD" OR "AS BUILT" DOCUMENT ARE ADVISED TO OBTAIN INDEPENDENT VERIFICATION OF ITS ACCURACY.
- CDM REGULATIONS 2015
- SIGNIFICANT OR NON-OBVIOUS RISKS AND RISKS WHICH ARE DIFFICULT TO MANAGE ARE IDENTIFIED ON THIS DRAWING USING THE FOLLOWING SYMBOL IDENTIFIED TO THE RIGHT WITH BRIEF ACCOMPANYING TEXT. FOR FURTHER DETAILS OF THE RISKS IDENTIFIED BY DESIGNERS, REFERENCE SHOULD BE MADE TO CDM HAZARD REGISTER.



B	Planning Issue Update: Full Brick Gable End Elevation, Openings	22/11/18	JY	IM
A	Planning Issue	20/07/18	CF	IM
REV	DESCRIPTION	DATE	BY	CHKD

ORIGINATOR:

RIDGE
PROPERTY & CONSTRUCTION CONSULTANTS

The Cowyards
Blenheim Park
Oxford Road
Woodstock, OX20 1QR

TEL NO: 01993 815000
WWW.RIDGE.CO.UK

CLIENT
Bicester Heritage

IN ASSOCIATION WITH:

PROJECT
New Technical Site

TITLE:
Building E Proposed NW and SE Elevations

DRAWN BY:	CF	SCALE:	1 : 100 @ A1
CHECKED:	IM	DATE:	20/07/18

STATUS
PLANNING

DRAWING No: 5002855-RDG-Z5-XX-EL-A-0131

PROJECT	ORG:	ZONE:	LEVEL	TYPE	ROLE:	NUMBER:	REV:
5002855	RDG	Z5	XX	EL	A	0131	B