

The contractor is responsible for checking dimensions, tolerances and references. Any discrepancy to be verified with the Architect before proceeding with the works. Where an item is covered by drawings to different scales the larger scale drawing is to be worked to.

Do not scale drawing. Figured dimensions to be worked to in all cases.

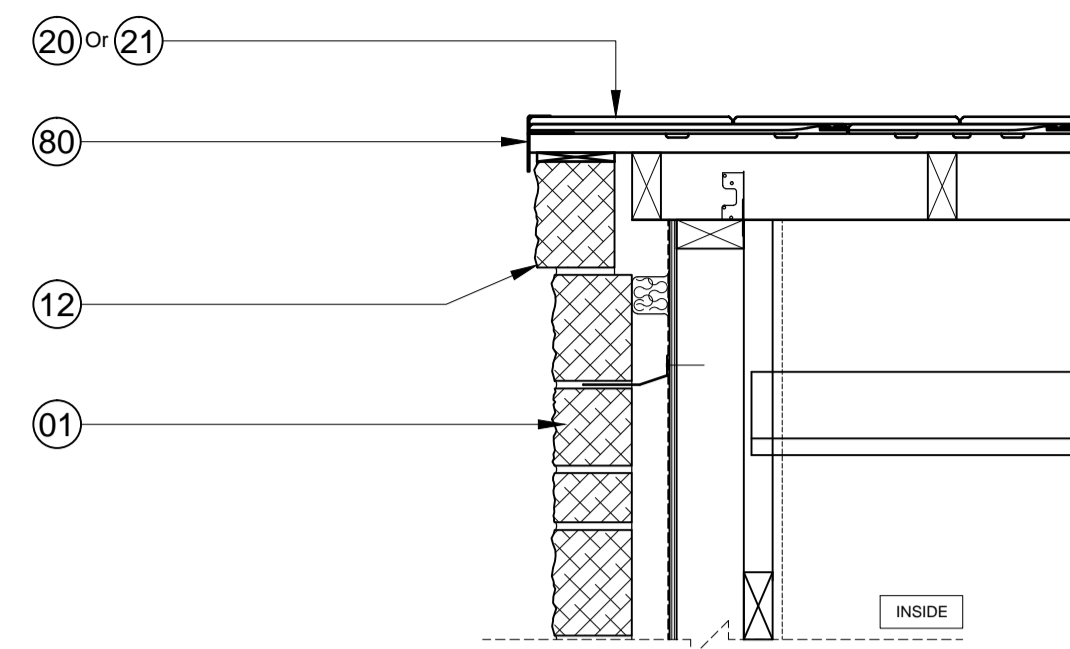
CDM REGULATIONS 2015. All current drawings and specifications for the project must be read in conjunction with the Designer's Hazard and Environment Assessment Record

All intellectual property rights reserved.

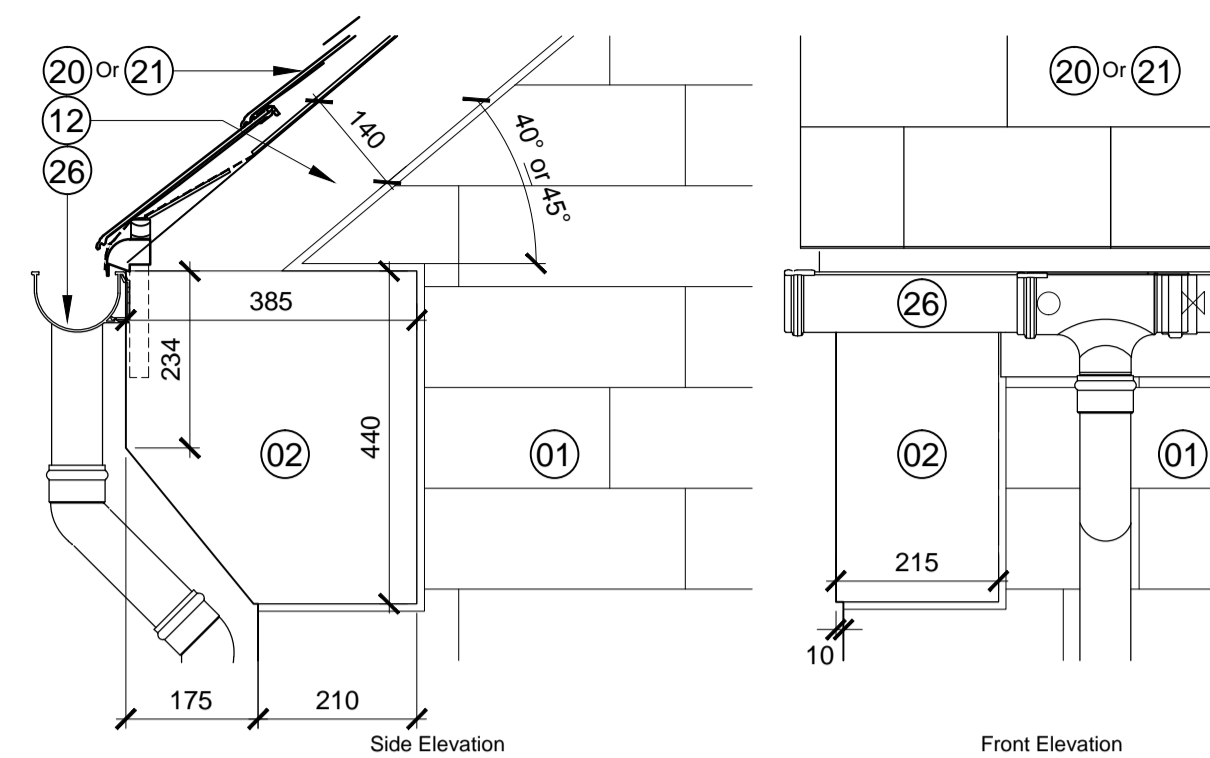
**KEY**

- 01 Coursed stonework [Bekstone 'Natural light weathered' [tumbled]; laid in random course heights - no jumpers]
- 02 Reconstituted stone corbel unit [colour: Oolite]
- 03 Projecting reconstituted stone string course [colour: Oolite] to divide Bekstone below from render above.
- 04 Reconstituted stone [colour: Oolite] heads with drip detail and stooled cill
- 07 Face brickwork - Red Multi Type 3: Red Multi (Freshfield Lane - Rural multi facings laid stretcher bond with natural colour bucket handle mortar joints).
- 12 Clipped verge detail. Projecting reconstituted stone verge with natural colour bucket handle mortar joints;
- 13 Horizontal timber cladding [Thermowood; with natural untreated finish]
- 14 Through colour render, colour: Ivory (by K Rend or similar)
- 16 Reconstituted stone cill [colour: Oolite]
- 17 Vertical timber cladding [Thermowood; with natural untreated finish]
- 20 Marley Rivendale' composite slate and ridge tile
- 21 Bradstone Cotswold roof tile and ridge tile
- 22 Standing seam metal roof.
- 23 Roof designated for meadow grass (Bauder Green Roof or similar)
- 25 PPC aluminium coping, colour: Grey (RAL 7016 or 7042)
- 26 UPVC gutters & down pipes, colour: black
- 27 Clipped verge detail
- 40 High performance triple glazed timber window (Rational Aura or similar) design to match house type, colour: RAL 7016 or 7042
- 41 High performance triple glazed timber window (Rational Aura or similar) design to match house type, colour: RAL 7016 or 7042
- 80 Proprietary dry fix roof verge system shown indicatively. Subject to roof tile Supplier/Manufacturer installation details & recommendations.

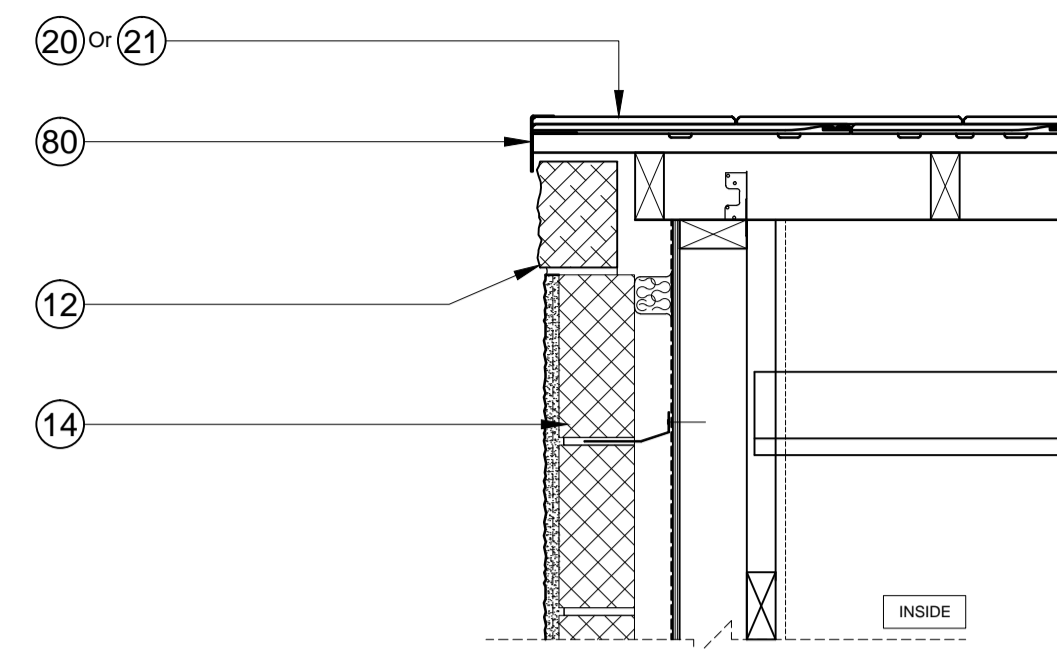
- General Notes:**
- Refer to S96a Elevations for any colour identification where noted.
  - Timber Roof / Wall / Floor Panels / Linings + internal finishes ETC are all indicative & subject to detailed design.
  - Any dimensions shown indicate intended design.
  - Subject to subcontractor/supplier installation design & recommendations.
  - To be read in conjunction with external materials schedule doc: AA2699C(3)\_06-01\_010



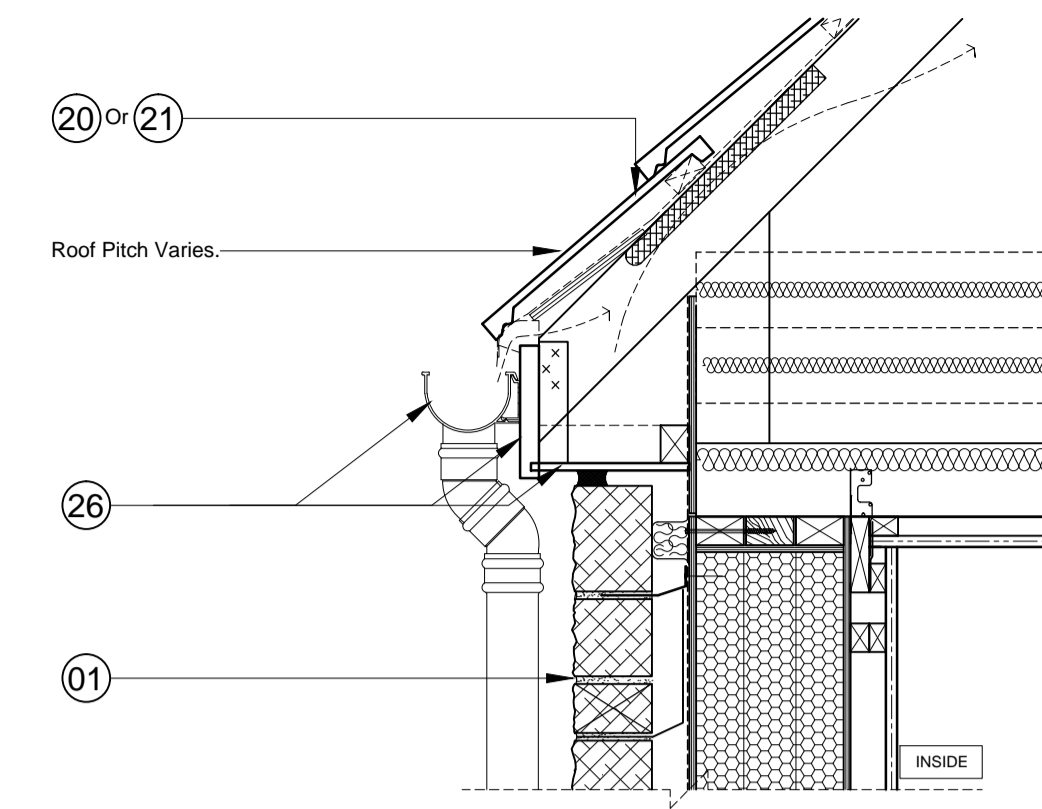
V1 Verge Detail - Bekstone on Gable end Bekstone



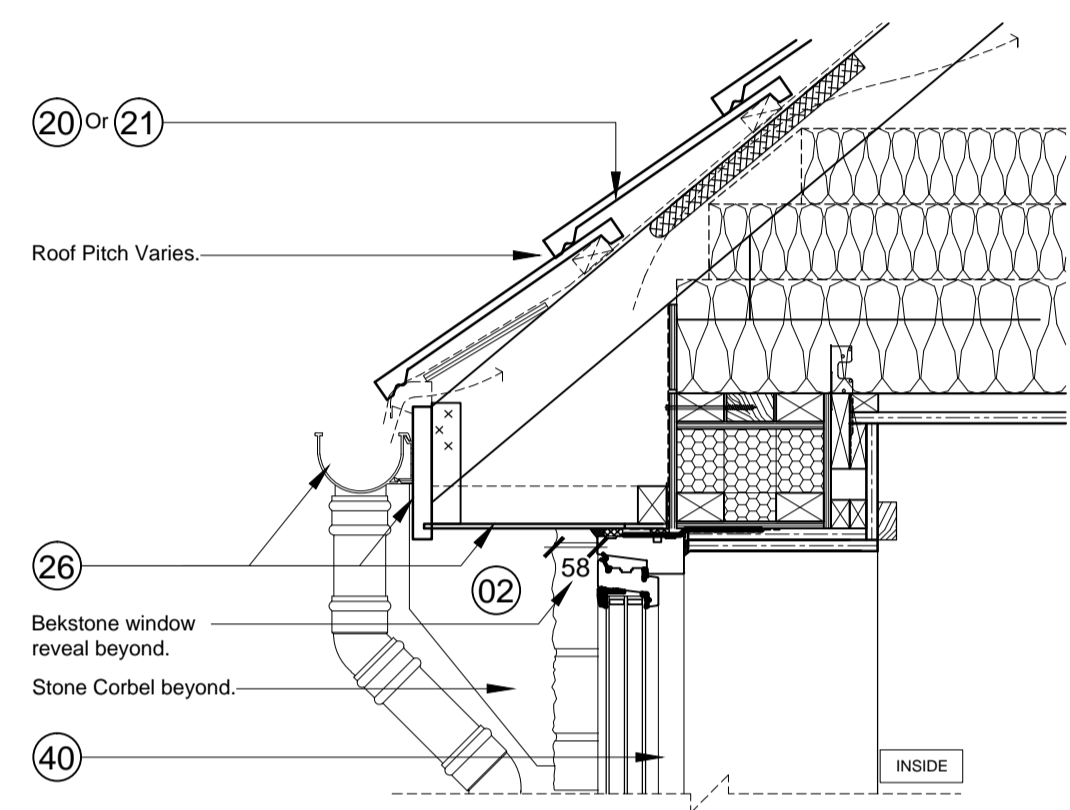
C1 Corbel Detail - Stone Bekstone Ground & First floor



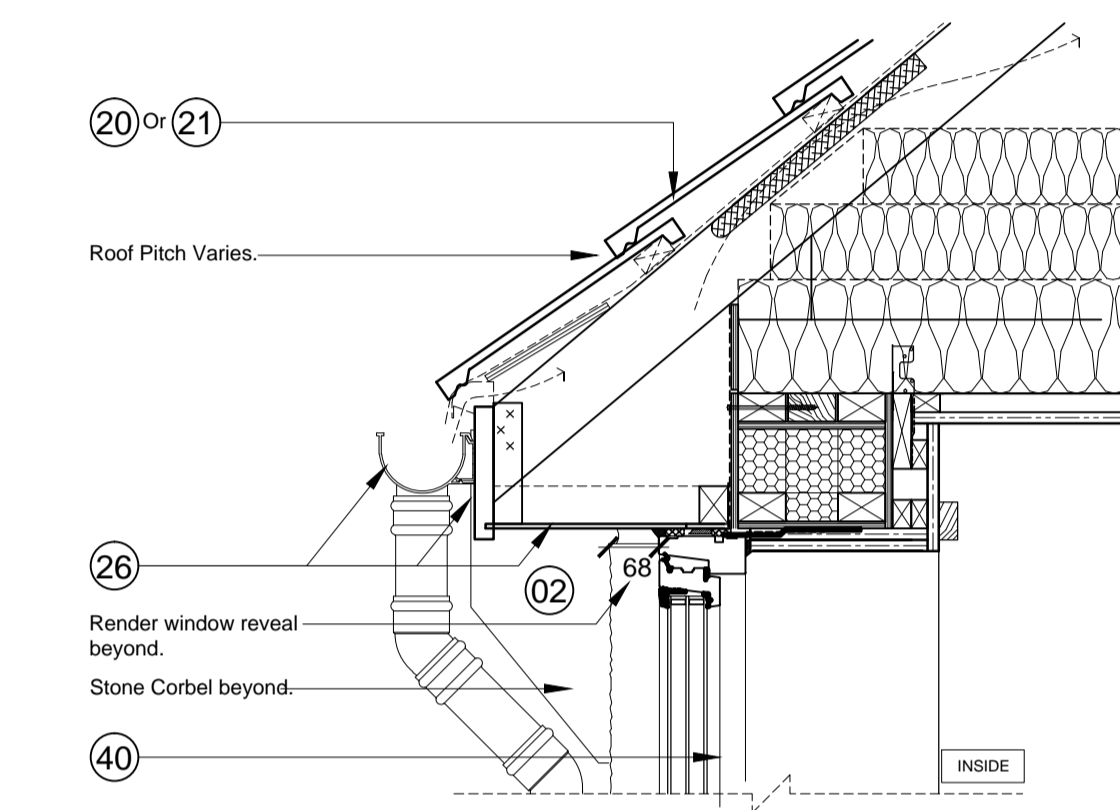
V7 Verge Detail - Render on Gable end Bekstone OR Brickwork with Render to First



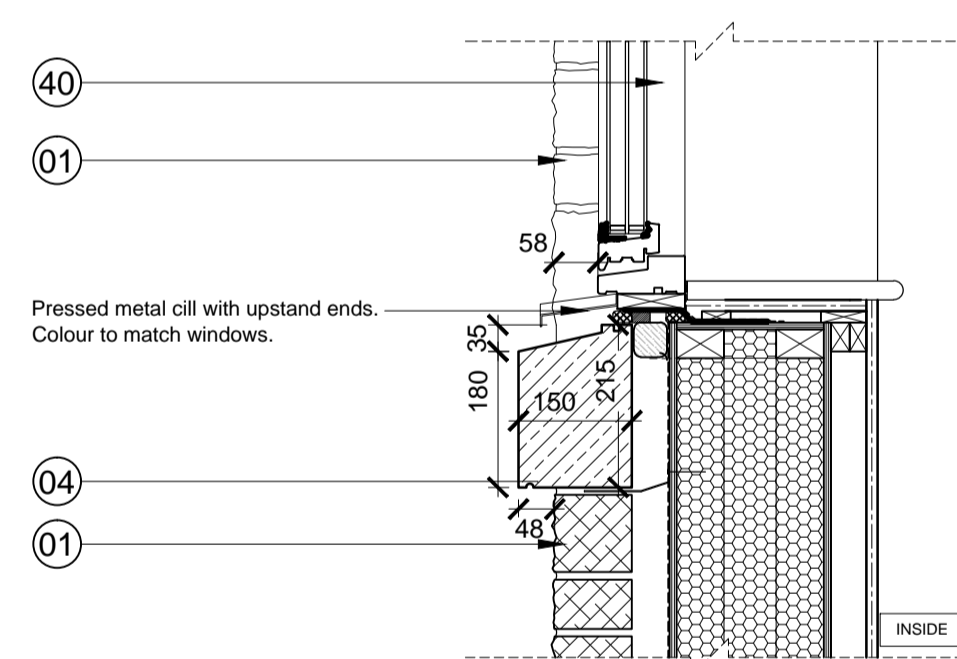
E1 Eaves Detail Bekstone



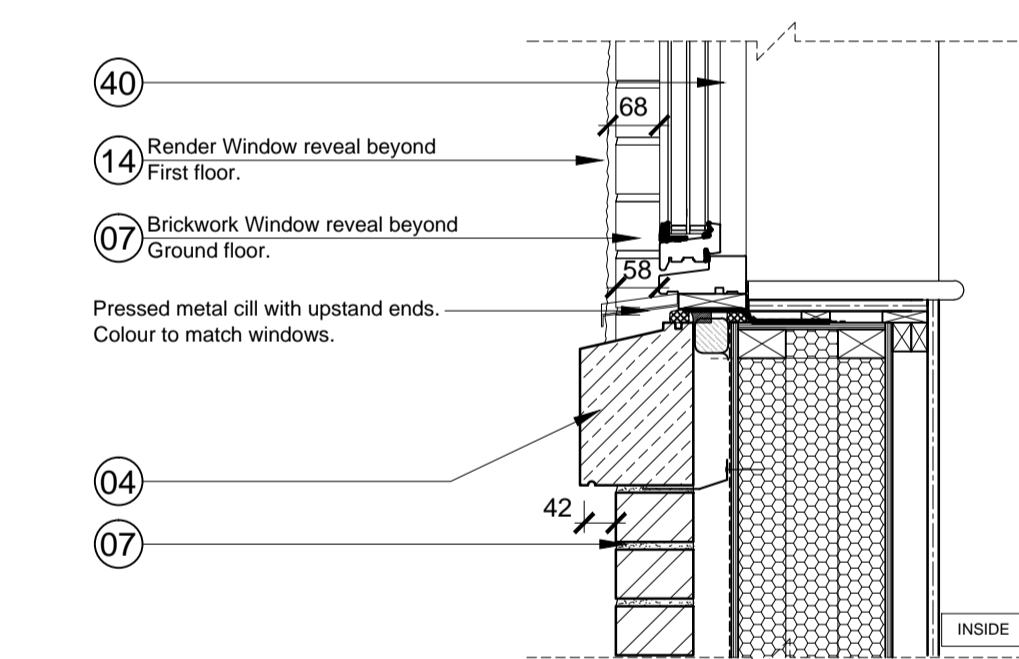
E2 Eaves Detail Bekstone



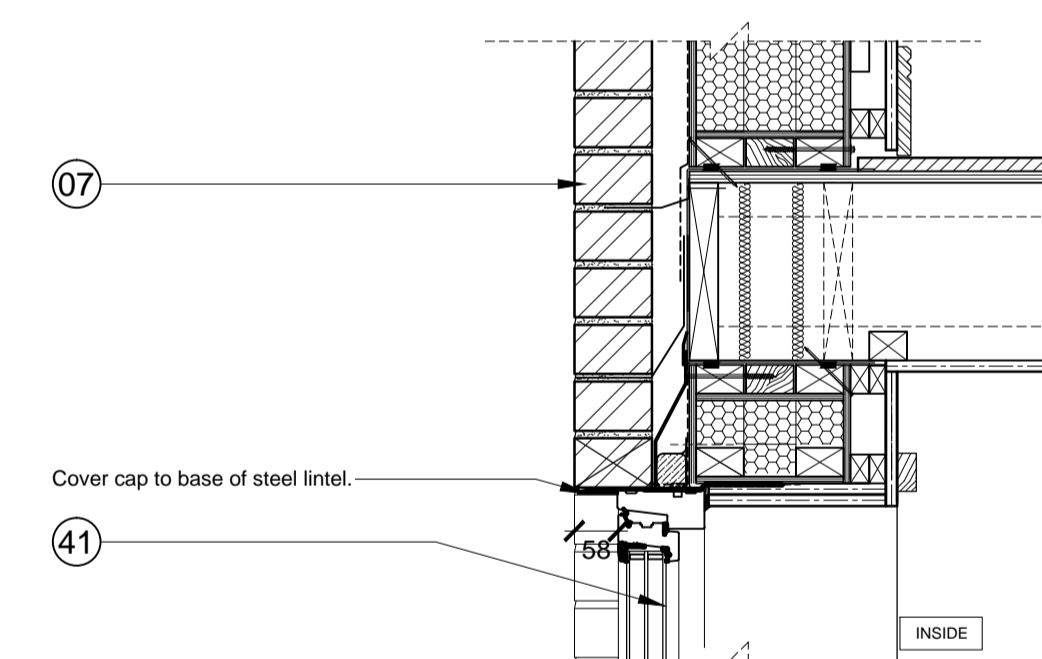
E3 Eaves Detail Render



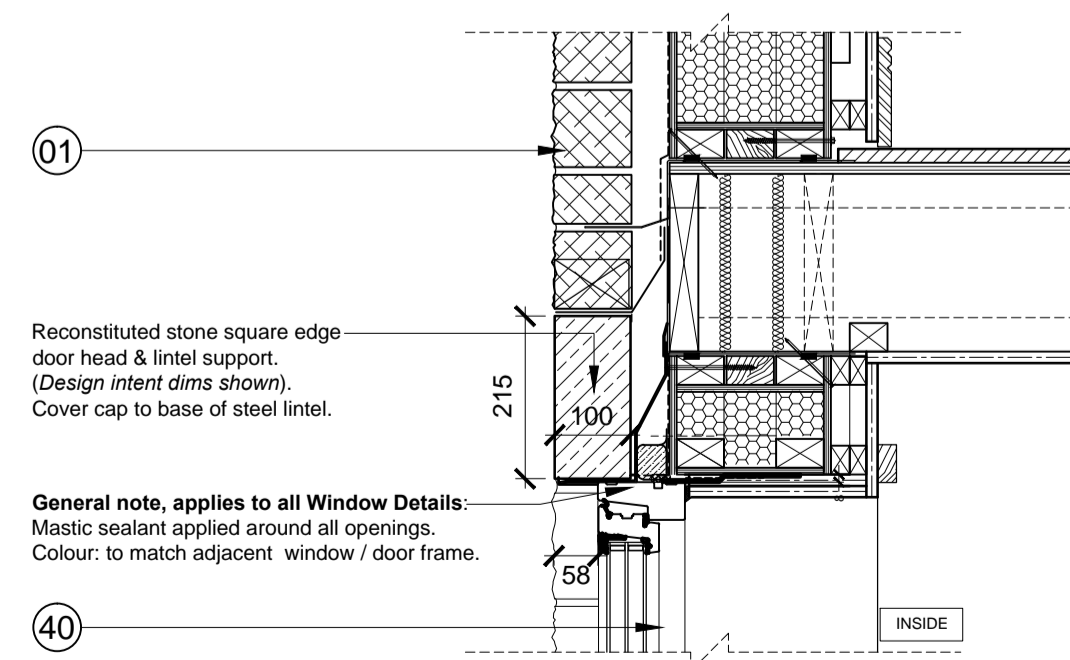
Wc1 Window Detail - Stone Cill Bekstone



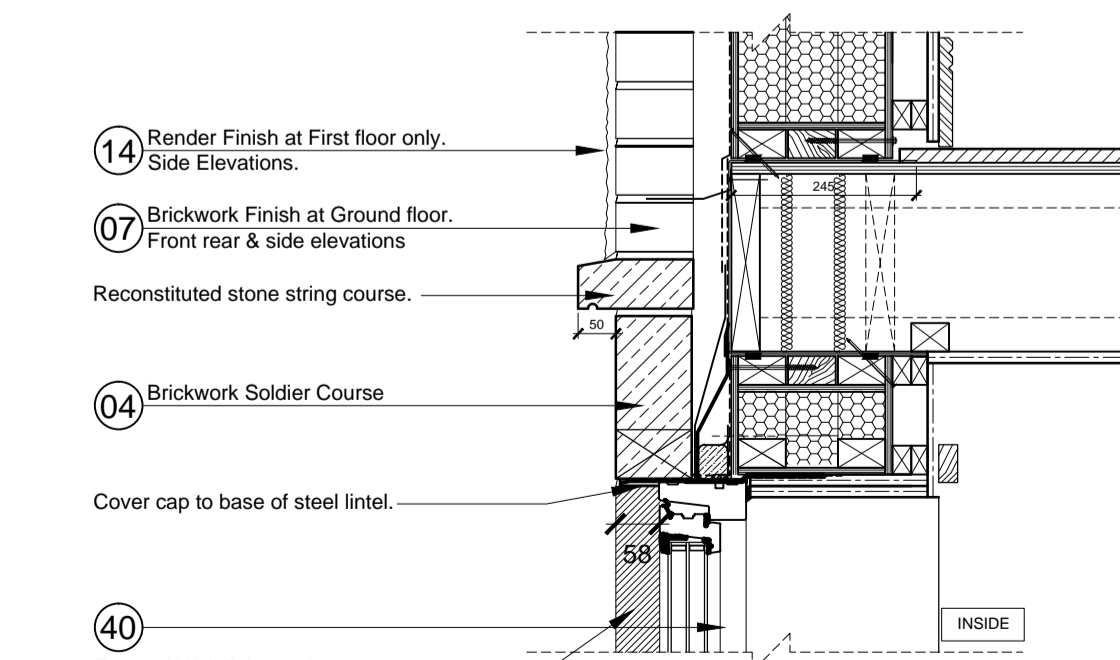
Wc2 Window Detail - Stone Cill Brickwork / Render



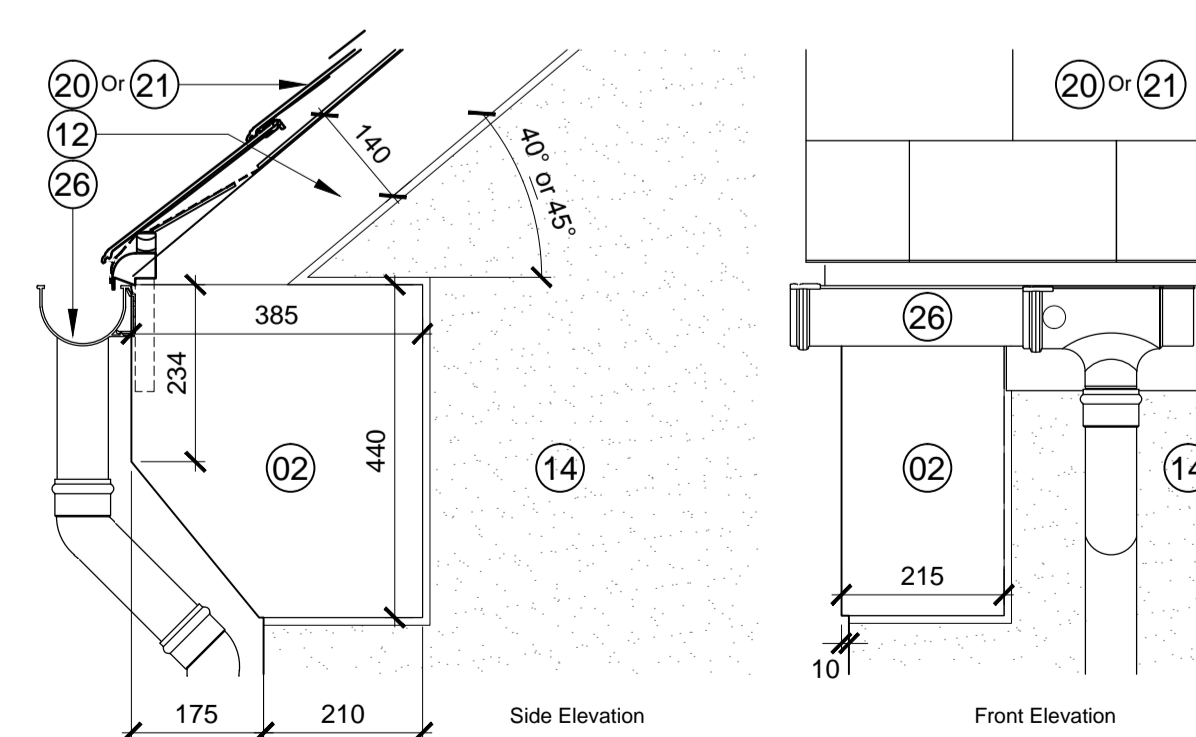
Wh1 Window Head Detail Brickwork



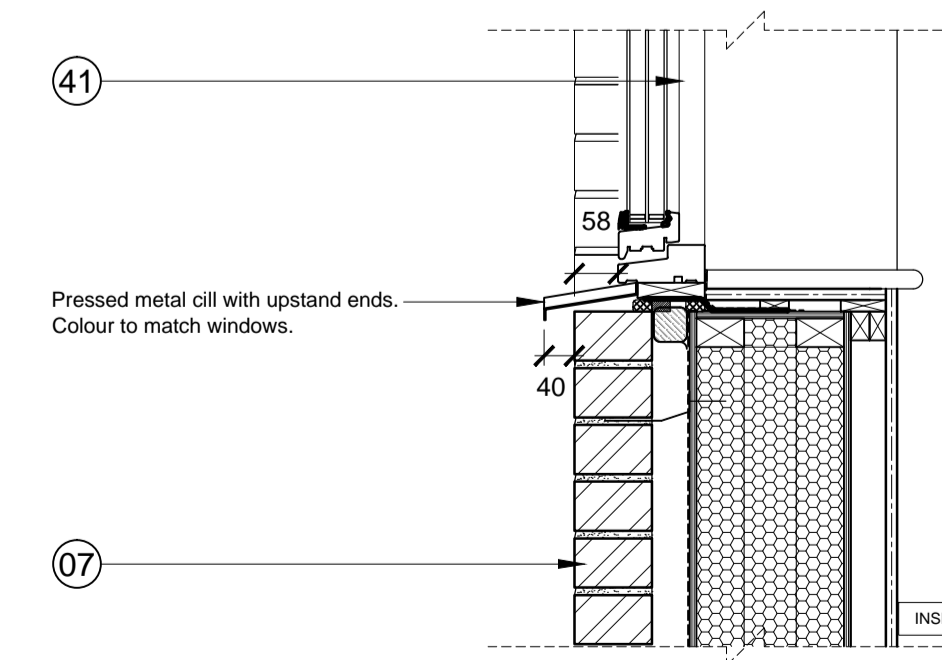
Wh2 Window Detail - Stone Head Bekstone



Wh3 Window Head Detail - Stone Head Brickwork OR Bekstone/Render



C2 Corbel Detail - Stone Bekstone with Render to First floor



Wc0 Window Detail - Cill Brickwork

Rev	Date	Description	SL	SW	Dwn	Ckd
/	06/12/17	First Issue Planning				

**BICESTER ECO TOWN - PHASE 3**

**CONDITION 15  
DETAILS - SHEET 1**

**AA2699C(3) 2510 REV -  
PLANNING**

Drawn SL Checked SW Date NOV 2017 Scale @ A1 1:10