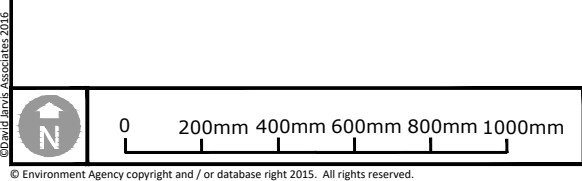
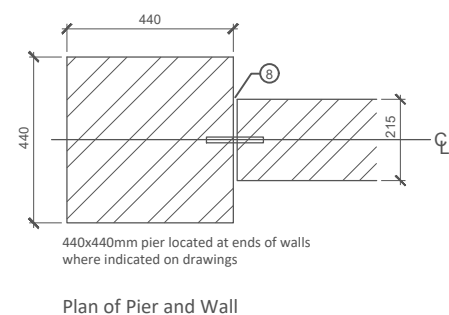


1. FL quality brickwork on edge coping in 1:0.25:3 cement:lime:sand mortar with flush joints. Brickwork above/ below DPC to be Ibstock Capital Multi Red Stock to match facing brick used on houses.
2. 2 No. Galvanised mild steel cramps, once bent and set into mortar to form stop ends.
3. 2 courses of tile creasing with staggered joints in 1:0.25:3 cement:lime:sand mortar. Creasing tiles to be Dreadnought Tiles "Blue Brindle".
4. Broken tile inserts.
5. FL quality face brickwork laid in Flemish bond in 1:1:6 cement:lime:sand mortar with flush joints. Brickwork above/ below DPC to be Ibstock Capital Multi Red Stock to match facing brick used on houses.
6. FL quality brickwork laid in Flemish bond in 1:0.25:3 cement:lime:sand mortar with flush joints. Brickwork above/ below DPC to be Ibstock Capital Multi Red Stock to match facing brick used on houses.
7. Foundations shown indicative. See structural engineers details for type, width, levels, etc.
8. Expansion joint frequency & size: R&S to advise
9. 1/2 round concrete ridge tile fully bedded on to tile creasing. Half round ridge tiles to be Dreadnought Tiles "Blue Brindle" colour.

Note:  
 1 1/2 brick thickness required for 1800mm high wall as worse case scenario unless structural engineer can prove otherwise.

Refer to:  
 'Your Garden Walls' - Better to be Safe (DCLG)  
 and BRE GBG 14 (May 1994).



Notes

**Issue:** Drawn by David Jarvis Associates Limited (CROWN COPYRIGHT. ALL RIGHTS RESERVED 2015 LICENCE NUMBER 0100031). This drawing is for Planning purposes only. Do not use this drawing for Construction. The information contained in the drawing should be used as a guide to the final forms and finishes of the landscape scheme. Any revisions to be approved by the Client and Local Authority

**Scaling:** Do not scale this drawing. Use given dimensions only.

**Setting out:** refer to Engineers for information regarding setting out. In the event of discrepancy refer to Engineers in the first instance.

**Survey:** Original survey provided by the Client.

**Services:** Where possible these are identified on the drawings but, for the avoidance of doubt all service/utility locations should be considered indicative until identified on site. To ensure those services / utilities shown are current refer to the original survey provider or utilities designer or Client for confirmation and further information regarding easements. In the event of new services being installed refer to the appointed Engineer. It is recommended that hazard warning tape 'danger electric cable'/ 'danger services' to be installed over all service routes (to remain on site) to current BS guidelines (BS7671).

**Lighting:** Refer to lighting engineers drawings.

**Planting:** Plant species are selected and located in line with consideration of the site conditions, NHBC guidelines and discussions with the Local Authority and design team. All plants and planting procedure to conform to the David Jarvis Associates Limited Landscape Specification that will accompany the Construction issue drawings. No species or plant location is to be varied without prior consent of the Landscape Architect.

**Foundations:** Developers / Contractors to ensure that all foundations (buildings and external walling) are designed and constructed so as to take into account, at the time of maturity, any existing or proposed trees, hedgerows or other vegetation on the application site or existing vegetation on land adjoining the site at the time of construction and any trees felled or hedgerows removed on or adjacent to the site during the previous 15 years. For this purpose the developer / contractors will submit all relevant details to the authority dealing with the Building Regulations Certificate.

**Design Levels:** Refer to Engineers where design levels are not shown.

**CDM:** Drawings to be read in conjunction with Designers risk assessment. Potential risks above that of those associated with the general construction typical to the drawing are identified below;

Rev.	Date	Description	Drawn	Checked
P2	06/12/2017	Amended numbering	GR	BS
P1	04/12/2017	First draft issued to client.	MS	BS

Status

**PLANNING**

**DAVID JARVIS ASSOCIATES**

DAVID JARVIS ASSOCIATES LIMITED  
 1 Tennyson Street Swindon Wiltshire SN1 5DT  
 t: 01793 612173  
 e: mail@davidjarvis.biz  
 w: www.davidjarvis.biz

Client

**ELMSBROOK (CREST A2D) LLP**

Project

**ELMSBROOK, BICESTER PHASES 3 & 4**

Drawing Title

**BRICK WALL DETAILS**

Scale	Sheet Size	Date
<b>1:20</b>	<b>A3</b>	<b>04/12/2017</b>
Drawing No.	Revision	
<b>14790/5605</b>	<b>P2</b>	

SOURCE: ORIGINAL DRAWING PRODUCED BY PRP - PHASE 2 PROPOSALS. DRAWING RE USED WITH PRP CONSENT