

NAT526 - Observer



Product Description

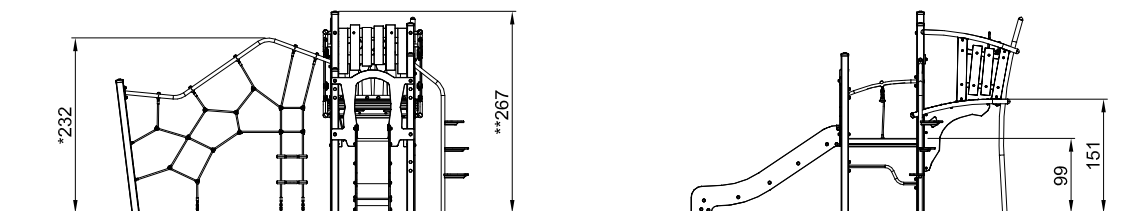
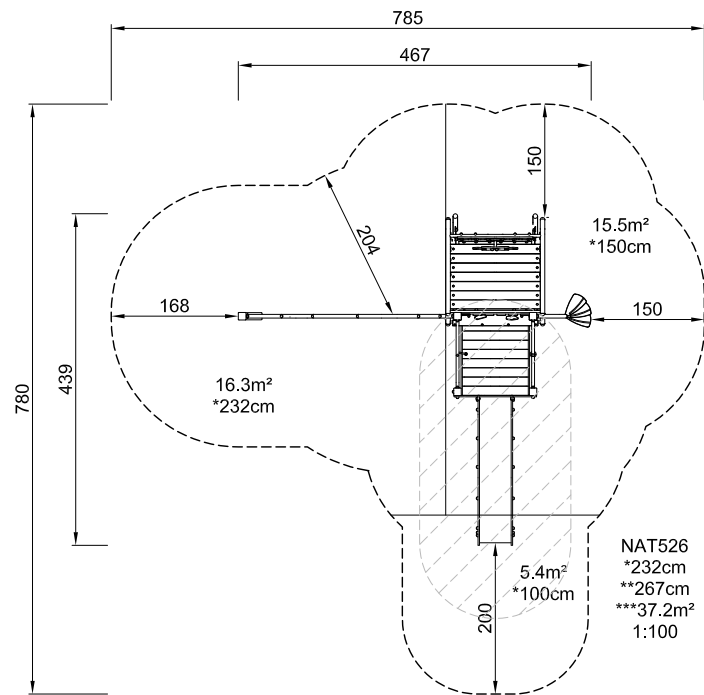
The Observer is a varied climbing unit on two levels, with a classic slide and tactile features both on ground and elevated level. The Observer offer the children training of their coordination and agility and makes a fine play frame for a bigger group of children playing.

Product Information

Category:	Climbing equipment
Product line:	NATURE
Age group:	4+
Installation:	1 person(s) 10 hour(s)
Weight / Heaviest part:	0 / 0 kg.
Concrete required:	0.26 m ³
Foundation amount:	11
Available for surface mount:	Yes
Standard installation depth:	0 cm.



NAT526 - Observer



NAT526
1:100