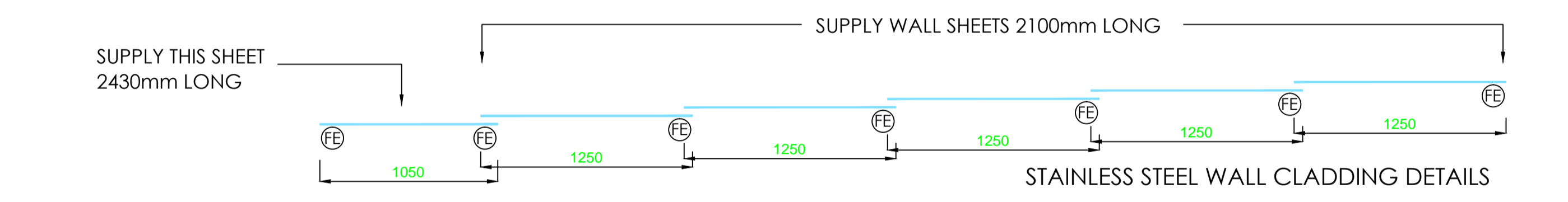
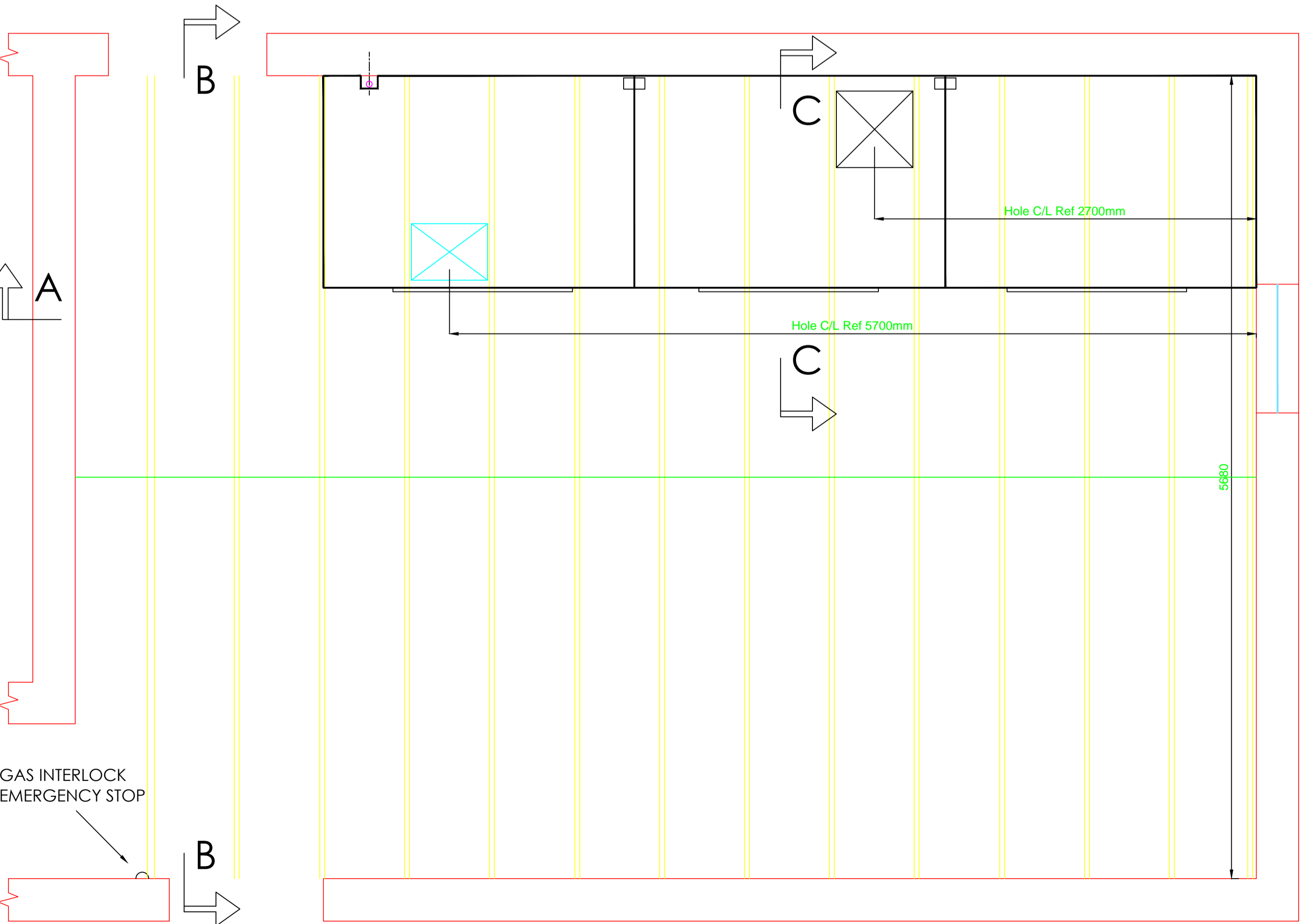


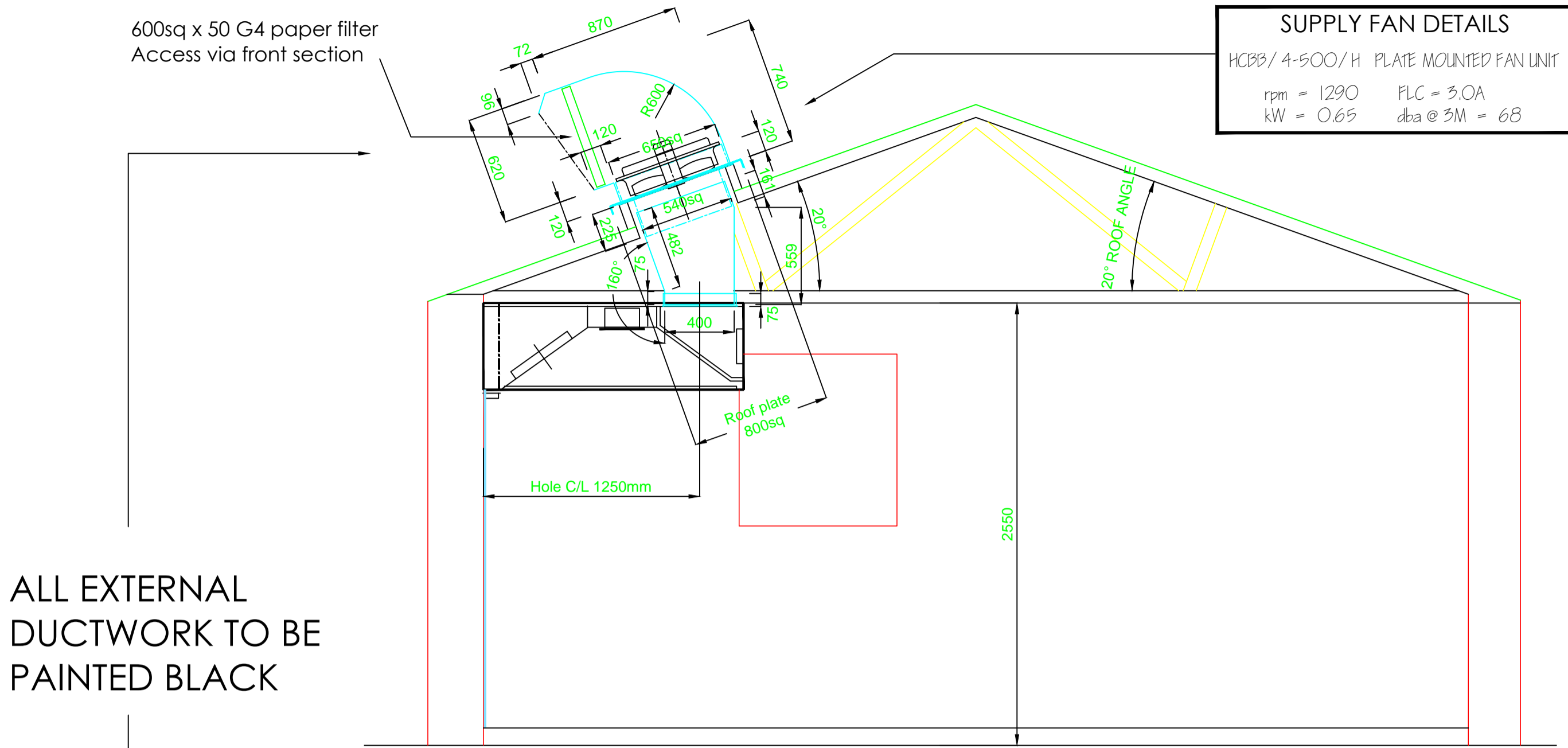
Section A-A



STAINLESS STEEL WALL CLADDING DETAILS



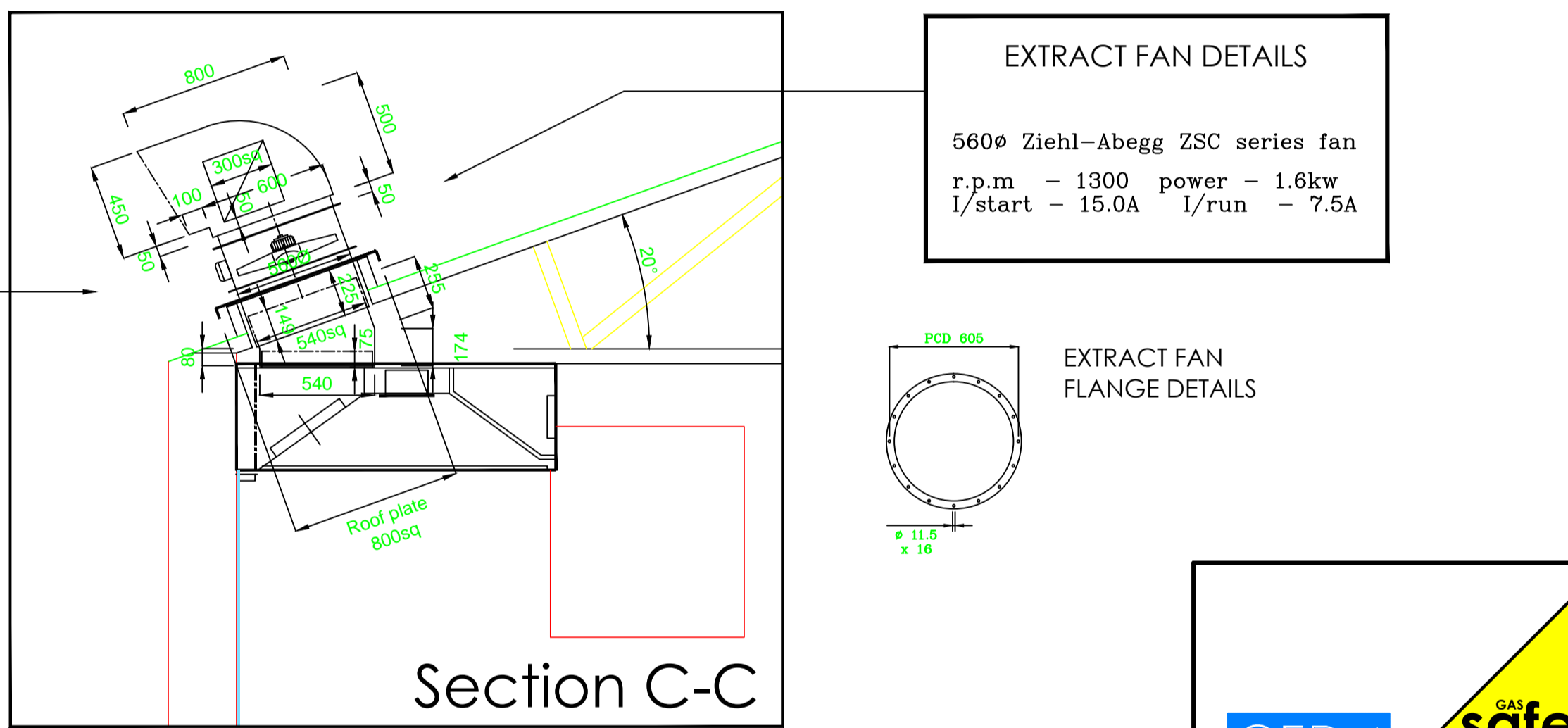
GAS INTERLOCK EMERGENCY STOP



SUPPLY FAN DETAILS
 HCBP/4-500/H PLATE MOUNTED FAN UNIT
 rpm = 1290 FLC = 3.0A
 kW = 0.65 dba @ 3M = 68

ALL EXTERNAL DUCTWORK TO BE PAINTED BLACK

Section B-B

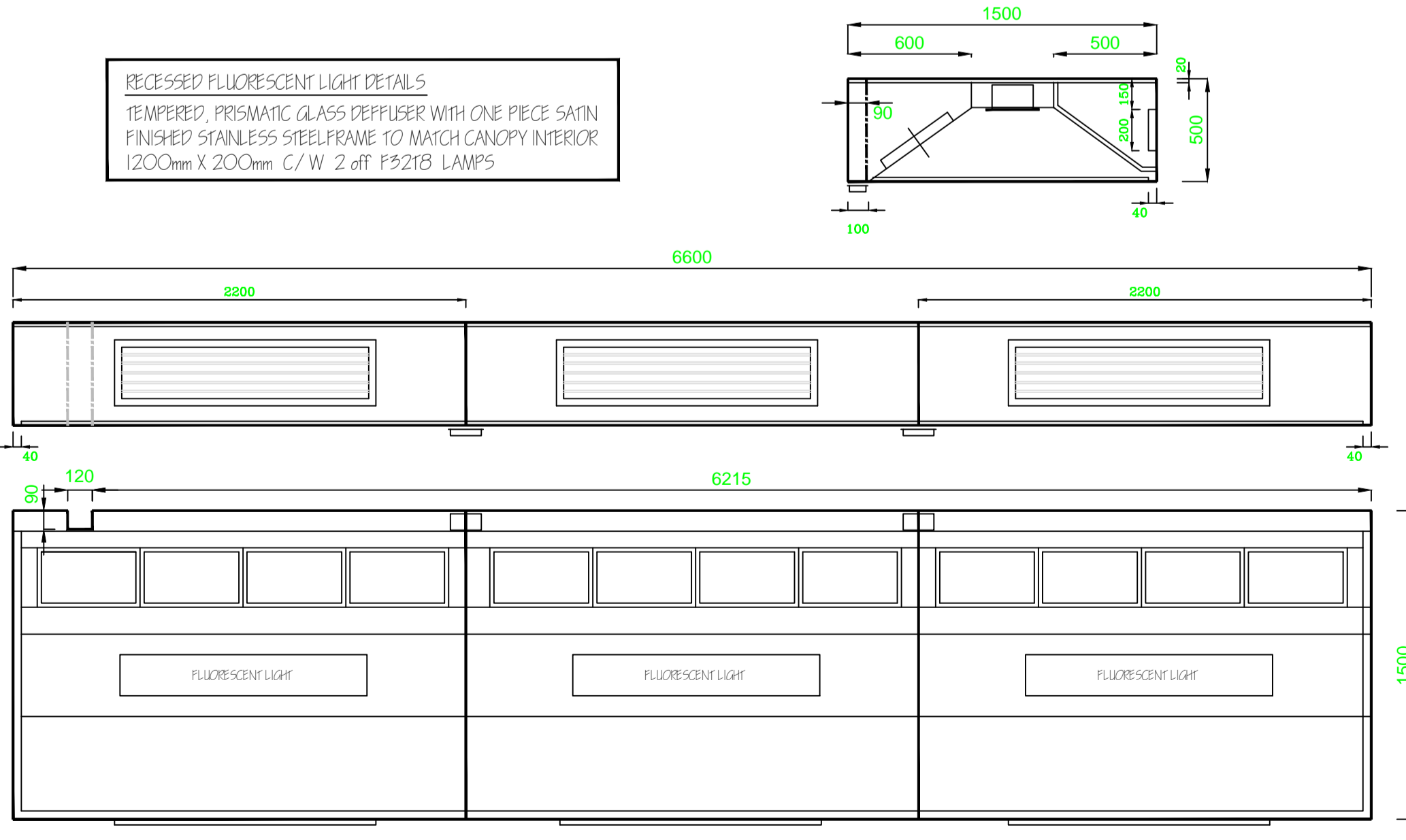


EXTRACT FAN DETAILS
 560mm Ziehl-Abegg ZSC series fan
 r.p.m - 1300 power - 1.6kw
 I/start - 15.0A I/run - 7.5A

EXTRACT FAN FLANGE DETAILS
 PCB 605
 11.5 x 18

Section C-C

RECESSED FLUORESCENT LIGHT DETAILS
 TEMPERED, PRISMATIC GLASS DIFFUSER WITH ONE PIECE SATIN FINISHED STAINLESS STEEL FRAME TO MATCH CANDOPY INTERIOR
 1200mm X 200mm C/W 2 off F5218 LAMPS



Francis Catering Equipment
 est. 1973
 Unit 1
 Lanesford Industrial Estate
 Horn Lane, Kingswood
 West Midlands, B76 7JH
 Tel: 01384 271166
 Fax: 01384 273372
 info@francis catering.com
 franciscatering.com

Project	RED LION - WENDLEBURY
Drawing by	D RICHARDS
Date	20/5/15
Scale	1:25 @A1
Drawing No.	SSP 33P
Revision	1
	2
	3
	4
	5
	6
	7