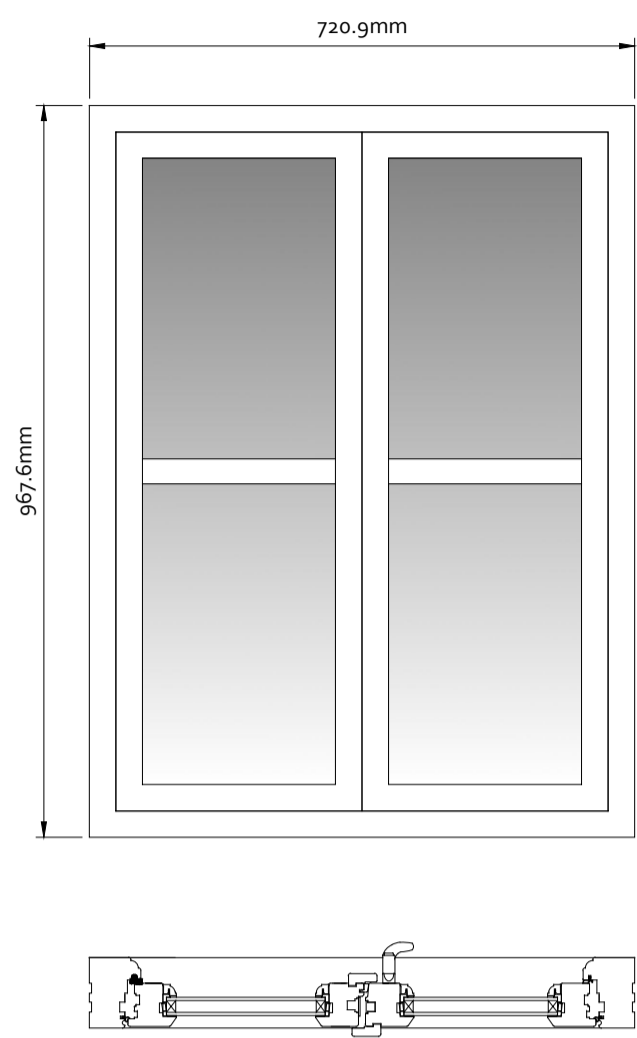
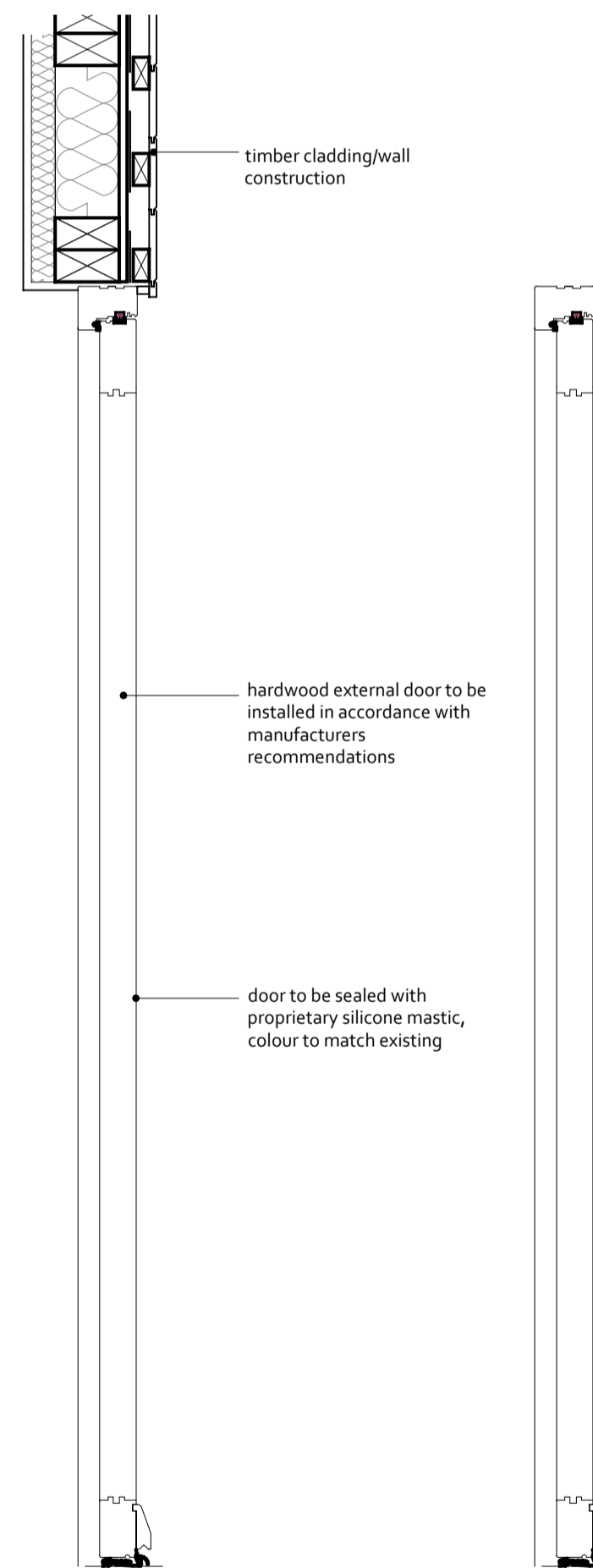
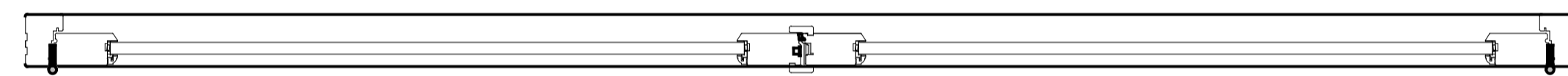
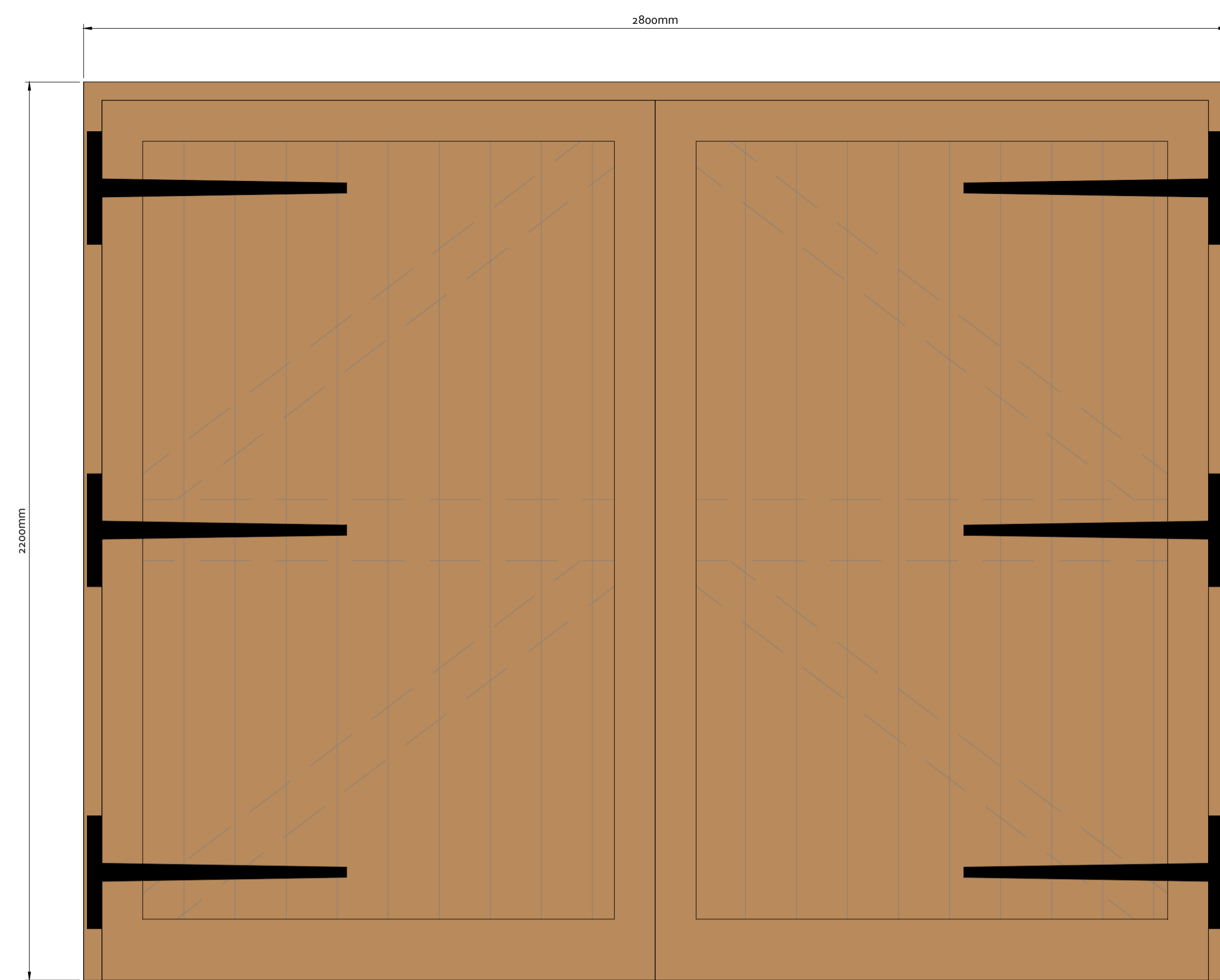
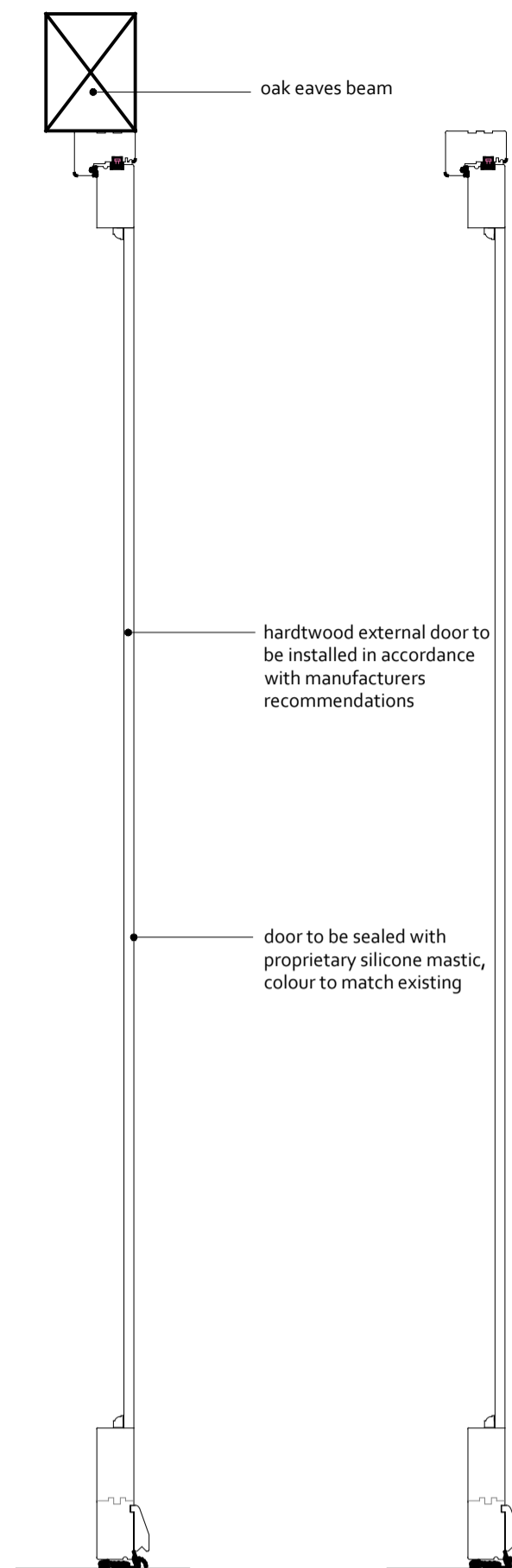
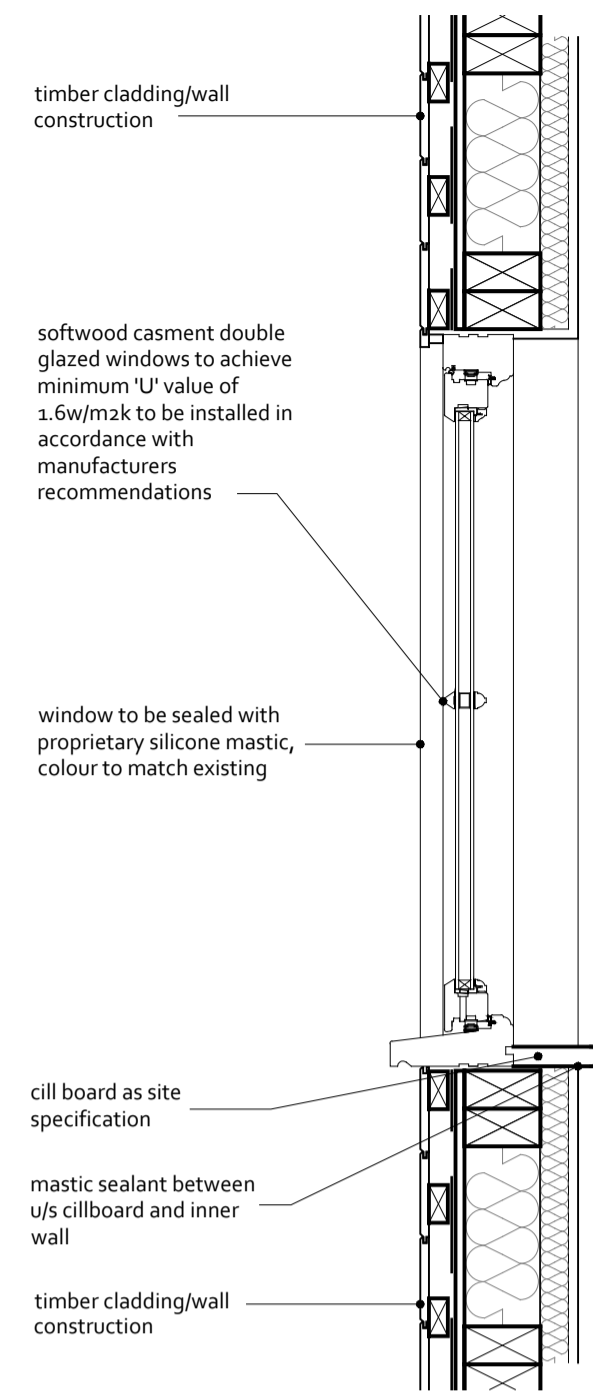


NOTES

CONDITION No 8
 FORGE AND EXTERNAL STEPS
 PHOTOS OF THE FORGE AND STEPS WILL FOLLOW SEPARATELY
 EACH BRICK WILL BE CAREFULLY REMOVED, CLEANED AND NUMBERED TO BE REINSTALLED ONCE THE OUTBUILDING HAS BEEN ERRECTED



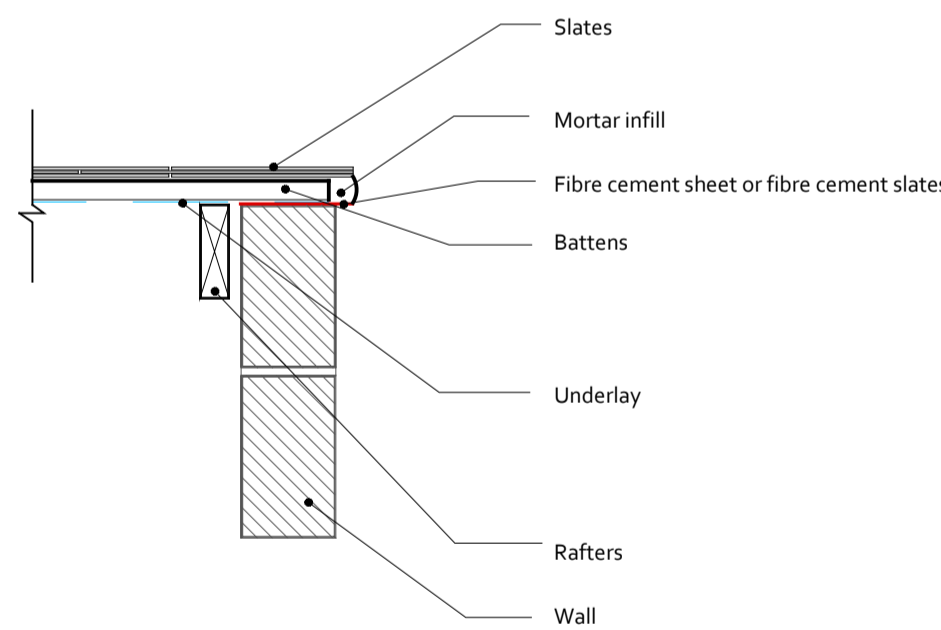
WINDOW TO GARAGE GABLE



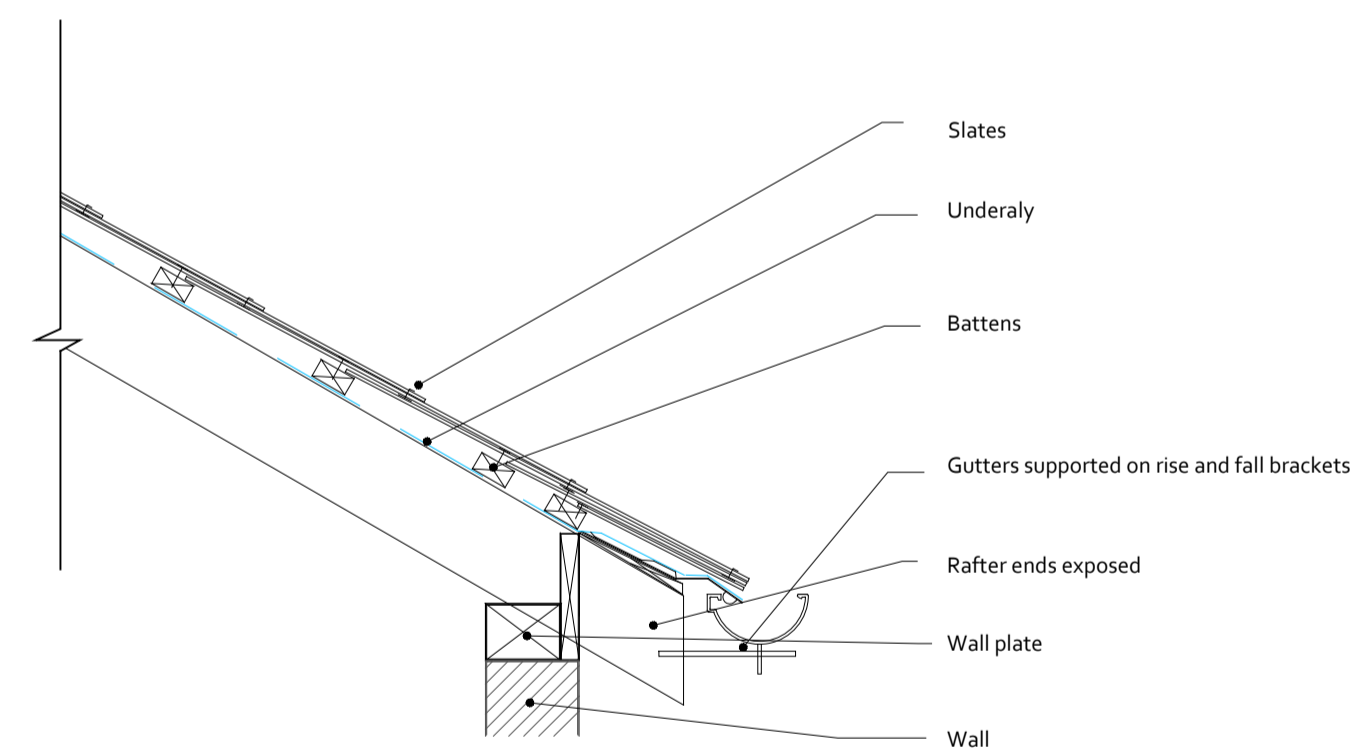
PERSONNEL DOOR TO WORKSHOP



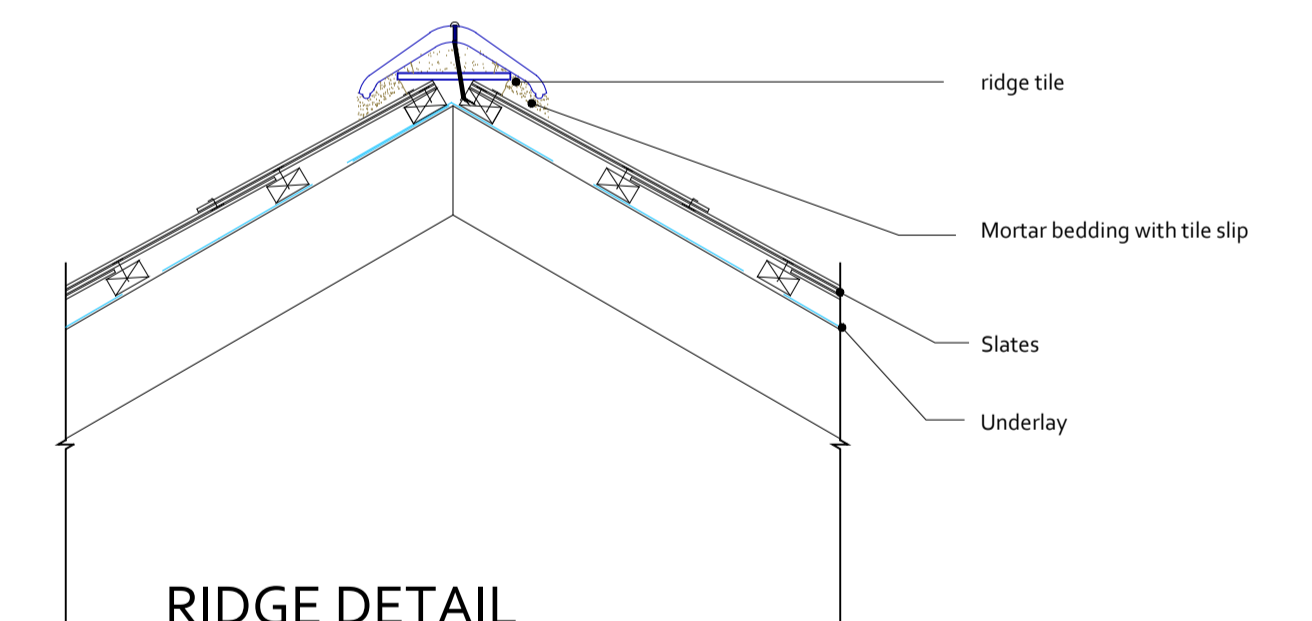
GARAGE DOORS



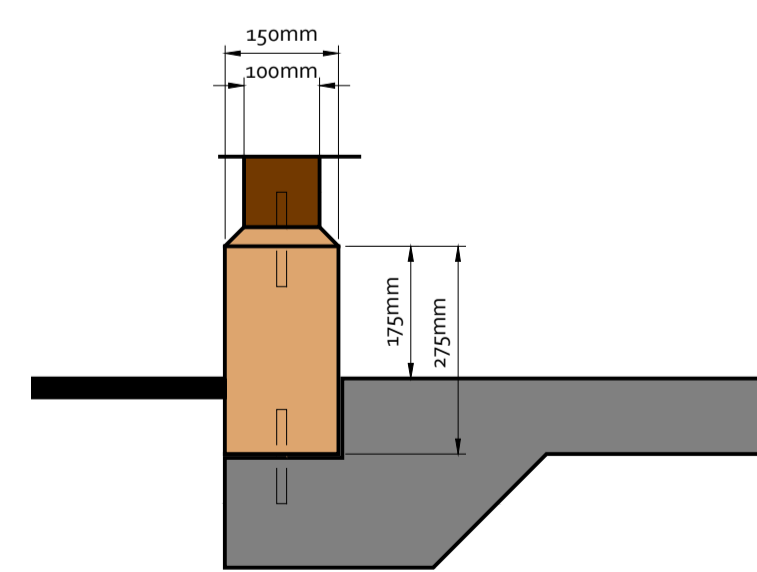
VERGE DETAIL



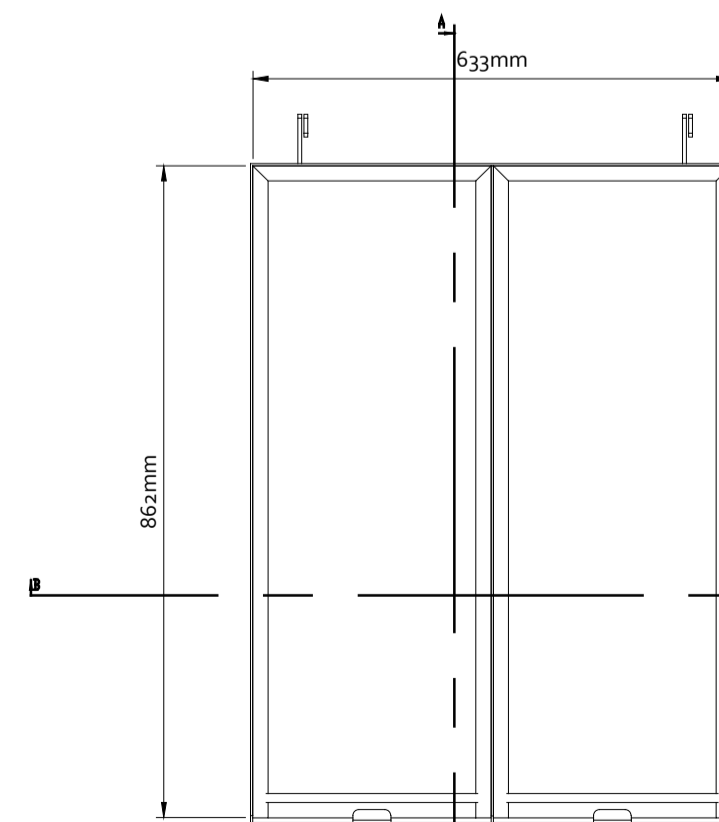
EAVES DETAIL



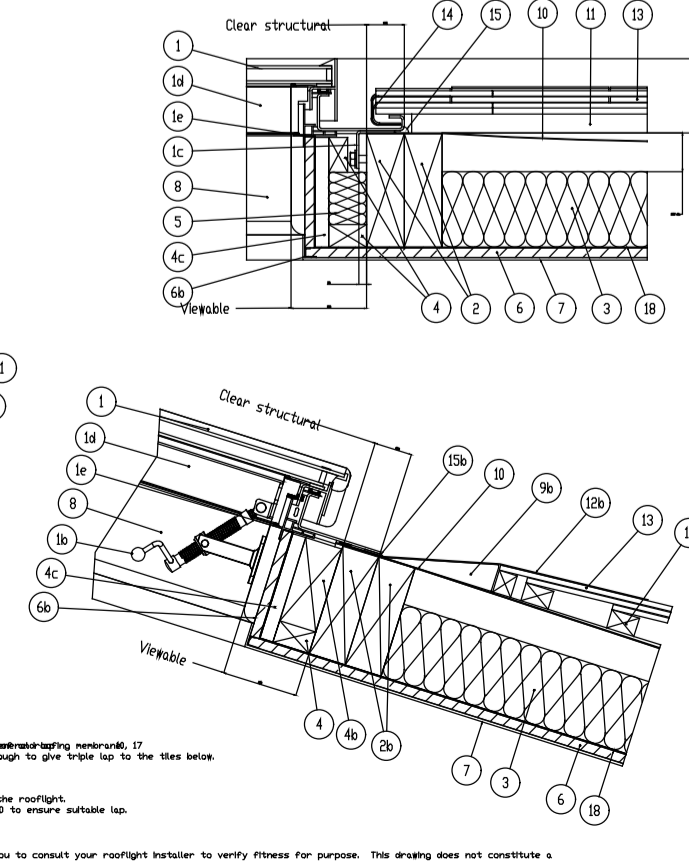
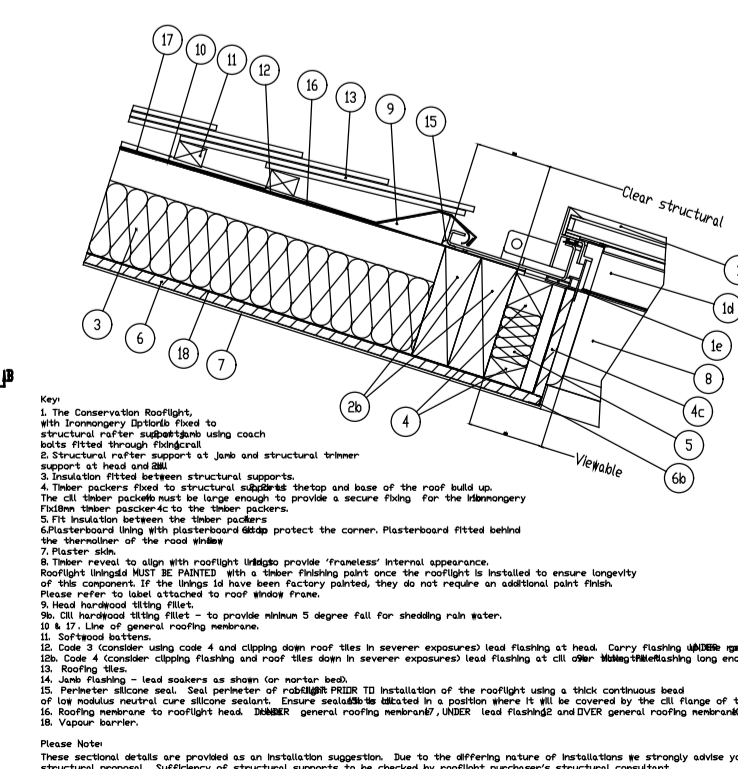
RIDGE DETAIL



SADDLE STONE DETAIL



ROOFLIGHT



Revisions			
Project Ref	Date	Drawing Number	Revision
DDC 2018-498	August 2018	008	-

Client: Mr W Sabin
 Project: Temple Mill, Sibford Ferris, Banbury, Oxon. OX15 5DA.
 Drawing: Planning Conditions Detail Drawings

DIGI·DESIGN·CO
 Architecture Ltd

Cherwell Business Village F161,
 Southam Road, Banbury, Oxon. OX16 2SP.
 T: +44 (0)1295 267617 M: +44 (0)17748 402723

http://www.digidesignco.com

