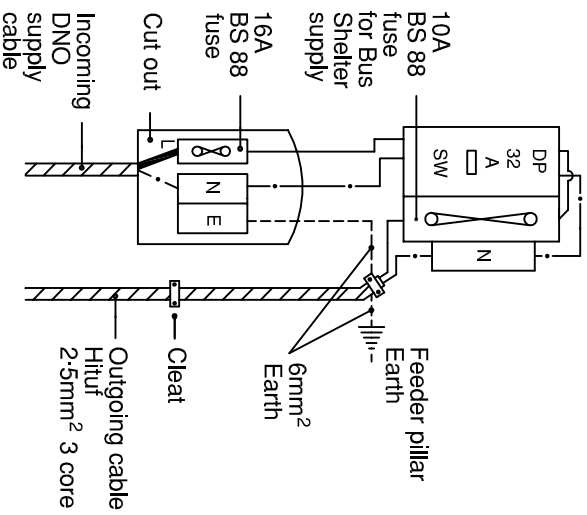
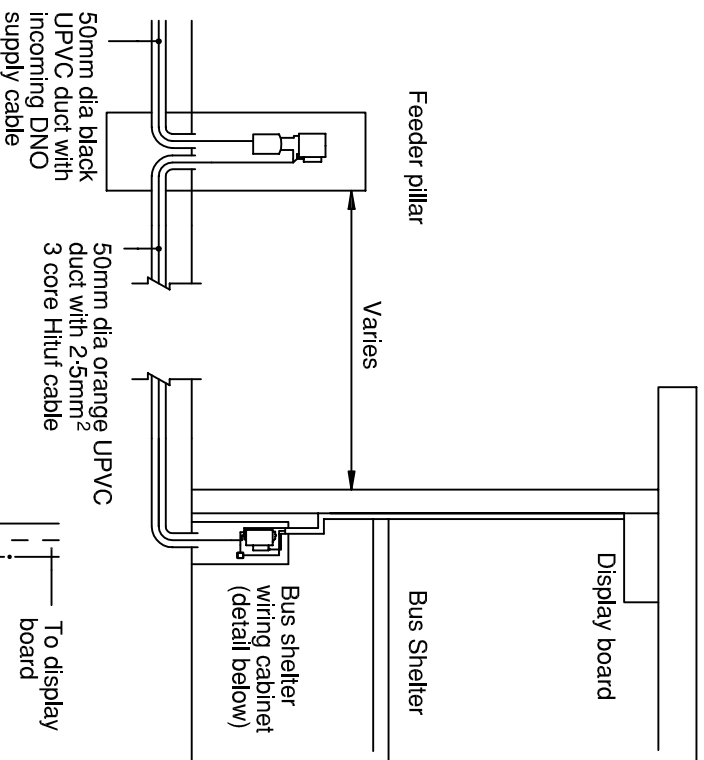


**Notes**

1. Cables between cut-out and fused isolator unit in column must be 2.5mm<sup>2</sup> PVC PVC insulated PVC sheathed single core.
2. Sub fuse assembly :-
  - a) Feeder pillar  
Lockable safely isolator consisting of 32A DP isolator with 1 No. BS 88 fuse way. Fuse for bus shelter circuit to be maximum 10A.
  - b) Bus shelter termination  
Lockable safety isolator consisting of 32A DP isolator with 1 No. 6A BS 88 fuse.
3. All fixing screws to be stainless steel.
4. Feeder pillar as drawing HSD/14/070.

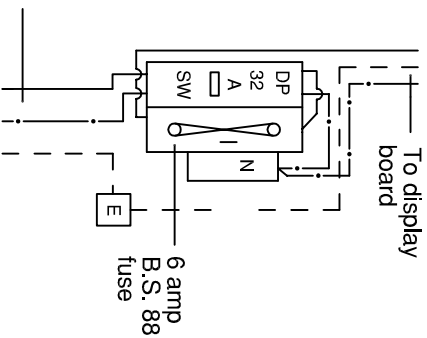


**32A DP ISOLATOR WITH  
1 No. BS 88 FUSEWAY  
IN NEARBY  
FEEDER PILLAR**



**BUS SHELTER TERMINATION  
32A DP ISOLATOR UNIT  
WITH 1 No. 6 AMP  
BS 88 FUSEWAY**

2.5mm<sup>2</sup> 3 core Hituf cable from isolator unit in nearby feeder pillar



**WIRING DETAILS : Real time bus information assembly in shelter  
with supply taken from remote pillar**

**ILLUMINATED SIGNS AND  
STREET LIGHTING**



**Improving Your Roads**

Oxfordshire County Council  
Speedwell House, Speedwell Street,  
Oxford OX1 1NE  
Tel: Oxford 01865 815700

Scale		Initials		Date		Index		Amendment		Date	
Not to Scale		Drawn				Drawing No.					
Checked		Traced				HSD/14/018				Category	
						1					

© Unauthorised reproduction infringes copy/right