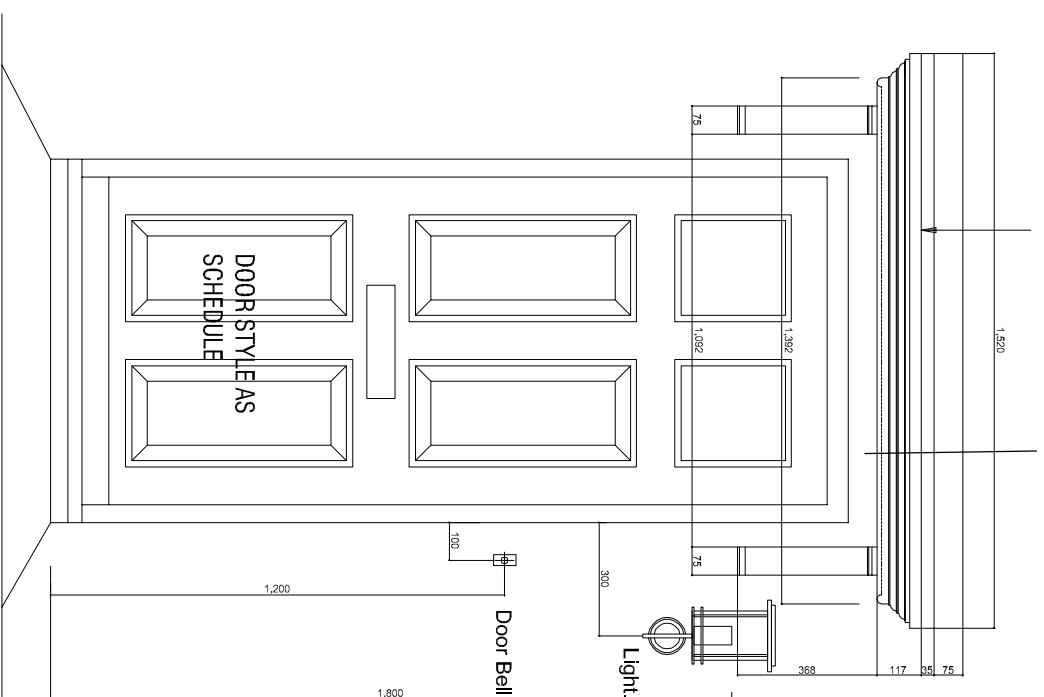


Timber porch and corbel supports supplied by manufacturer to be fixed in strict accordance with the manufacturers recommendations.

75mm between door head and underside of Canopy



Front Elevation
scale 1:20

12.5mm Knauf Wallboard on dabs, or similar approved. All boards to receive 3mm skim finish to Knauf's recommendations.

100mm Insulation block. Refer to CN Standard Construction Notes.

125mm cavity fully filled Springvale Ecobead Platinum insulation injected via internal leaf

103mm Facing bricks outer leaf.

Silicone seal top of canopy to wall.

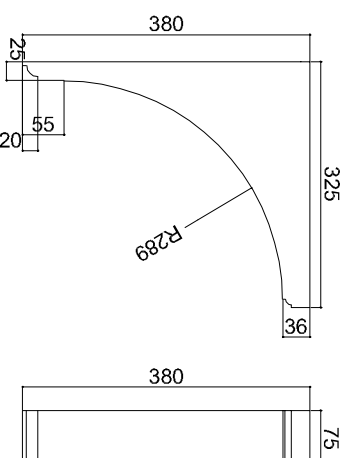
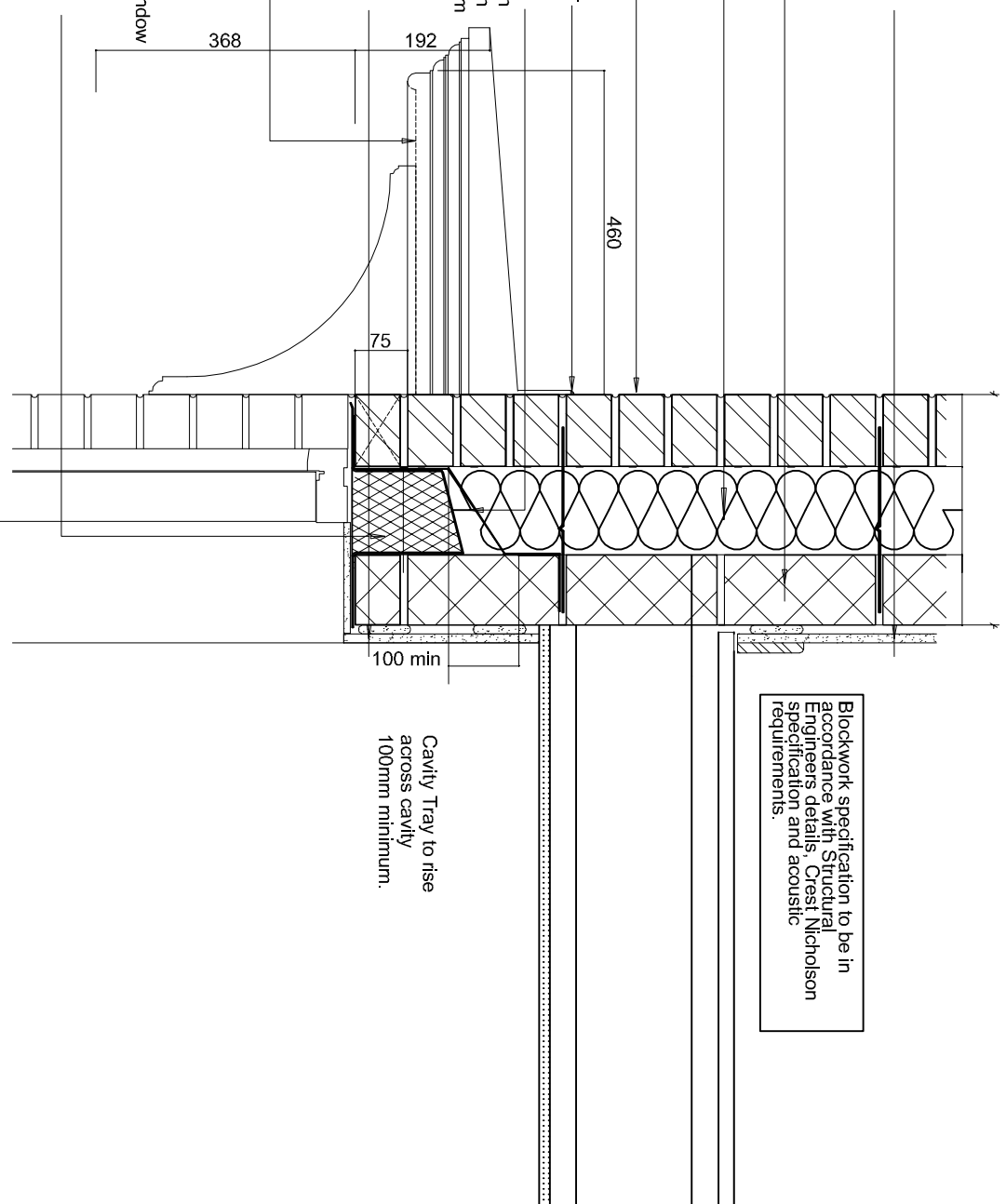
Cavity tray (with stop ends) with combined lead flashing, to extend 150mm either side of opening, with weep holes within perpendicular at each end of opening and at max. 450mm centres.

12.5mm Knauf Wallboard on dabs, or similar approved. All boards to receive 3mm skim finish to Knauf's recommendations.

Timber porch and corbel supports supplied by manufacturer to be fixed in strict accordance with the manufacturers recommendations.

Flexible sealant to perimeter of window
Insulated lintels to have minimum 150mm bear at each end. For full details of lintels over openings refer to dwelling specific working drawings

Typical Canopy Detail
Scale 1:10



Timber corbel supports supplied by manufacturer to be fixed in strict accordance with the manufacturers recommendations.

Corbel Supports Detail
Scale 1:10

PORCH RELEVANT TO CHURCHILL TYPE HOUSES.

T1 Porch material revised to be timber construction 30.01.18 WGH



Site/House Type: Crest Standard Details

Drig Title:

Front entrance and standard canopy details

Scale: 1:10@A3 or as noted	Date: Nov 2014	Drawn: PR	Checked: MW
CAD Ref: 14.162	NHBC Approval Ref: -		

Drawing No: CNSD/2013/104 Revision: T1