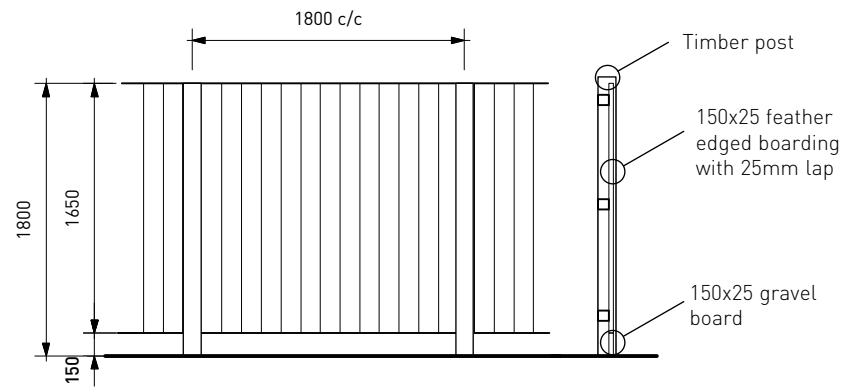
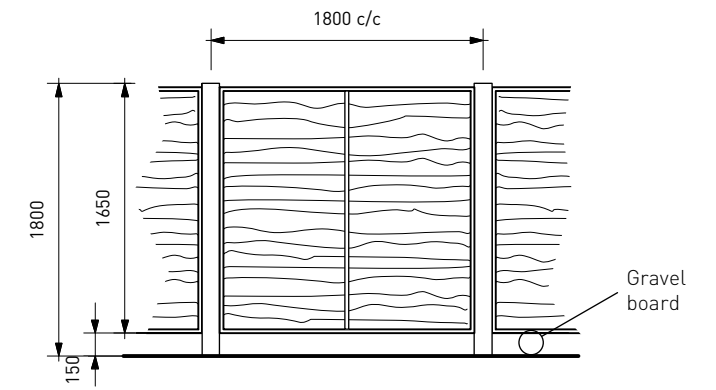


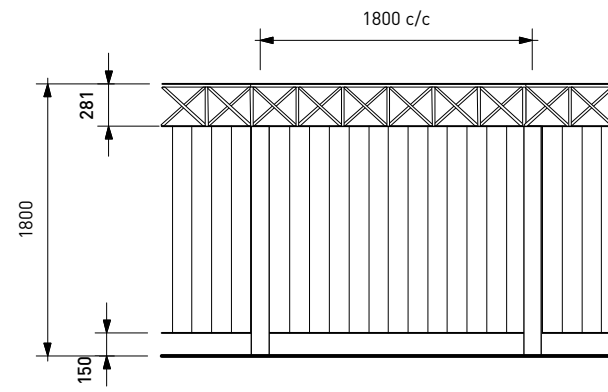
1.8m High Brick Wall



1.8m High Close Board Fence



1.8m High Larch Lap Fence



1.5m High Close Board Fence with 0.3m trellis

1:50 Scale



HEYFORD PARK: PHASE B4A/B4B - ENCLOSURE DETAILS

