

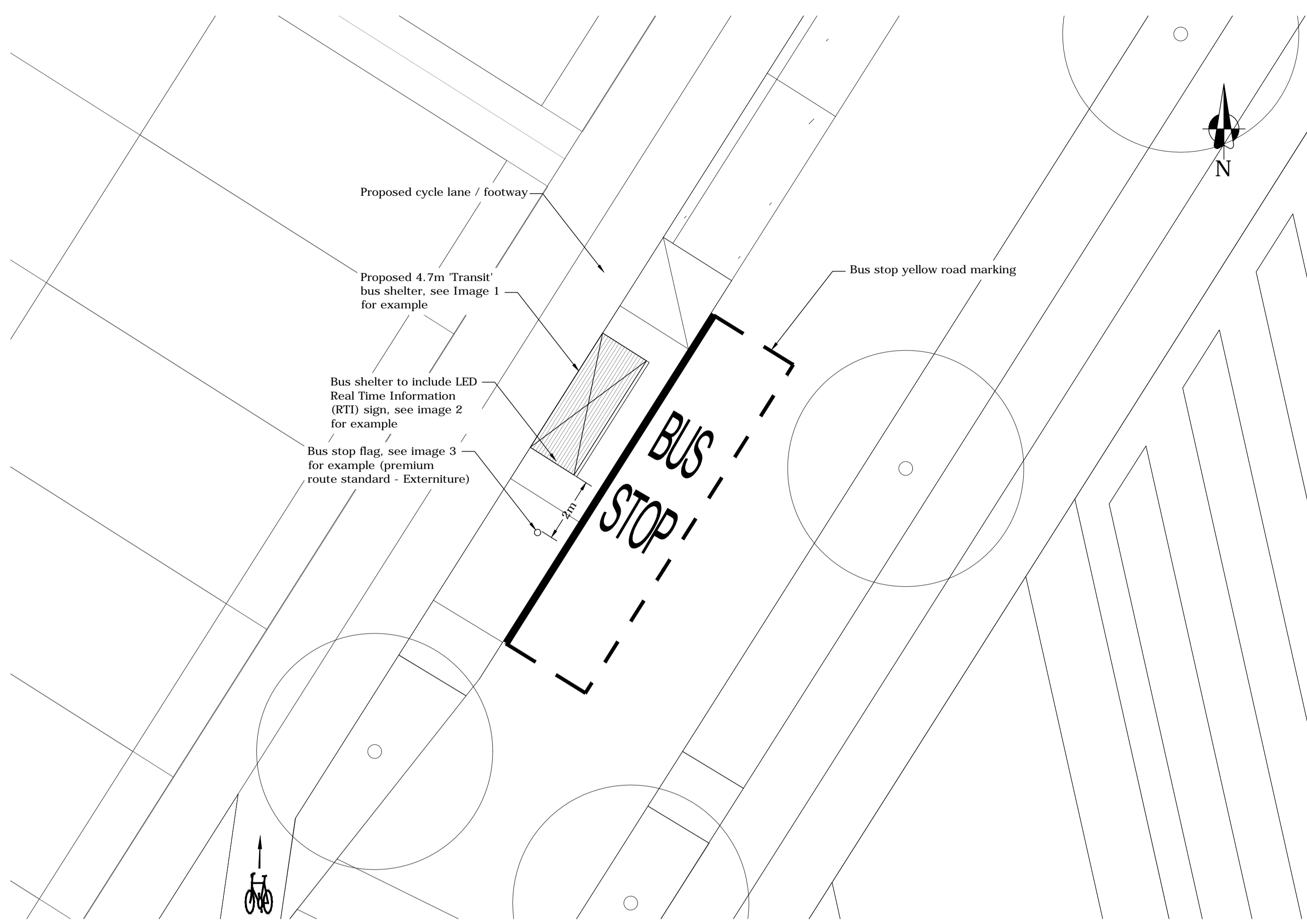
X:\16-0069\09\Design Docs (delivered)\Drawings and Sketches Working Drawings\09-04-18\16-0069 Bus Stop Detail.dwg, 10/04/2018 16:57:42, DWG To PDF

DO NOT SCALE Copyright Rolton Group Ltd 2018
This drawing shall remain the copyright of Rolton Group Ltd.

Standard construction hazards that a competent contractor would be aware of have not been identified on this drawing. Risks that may not be immediately apparent are listed below:

- Groundwater
- Existing Services

Rev	Date	Revision Description	Chkd
P1	09.04.18	Preliminary issue	SDP



BUS SHELTERS LTD		DESIGN BY	DRAWN/DETAILED BY	DRAWING NUMBER	REVISION			
we cover your world		Lee Jones	Lee Jones	224809	P1			
		Dyffryn Business Park, Llanowr, Glamorgan, CF71 1TY	www.shelters.co.uk	t 01446 795 444	f 01446 793 344			
PARTS LIST								
ITEM	DRAWING	REV	QTY	TITLE	DESCRIPTION	MATERIAL	FINISH	MASS
1	224847	P1	1	3 Bay Cantilever Roof	General Assembly of Parts	As Parts	As Parts	152.36 kg
2	224850	P1	3	Glazing Assembly - Full Bay Width	General Assembly of Parts	As Parts	As Parts	38.26 kg
3	224851	P1	2	Glazing Assembly - Cantilever Full Ends	Assembly of Parts	As Parts	As Parts	33.07 kg
4	224854	P1	2	Dead End Column Assembly	General Assembly of Parts	As Parts	As Parts	7.22 kg
5	224855	P1	2	Corner Column Assembly	General Assembly of Parts	As Parts	As Parts	7.54 kg
6	224856	P1	1	Centre Column Assembly	General Assembly of Parts	As Parts	As Parts	7.54 kg
7	224857	P1	1	Electric Centre Column Assembly	General Assembly of Parts	As Parts	As Parts	12.46 kg
8	224906	P1	2	Adjustable Spigot Leg Assembly	Welded Sub Assy	As Parts	Powder Coat	5.83 kg
9	224909	P1	4	Cantilever Adjustable Spigot	Welded sub assy.	As Parts	Powder Coat	17.21 kg

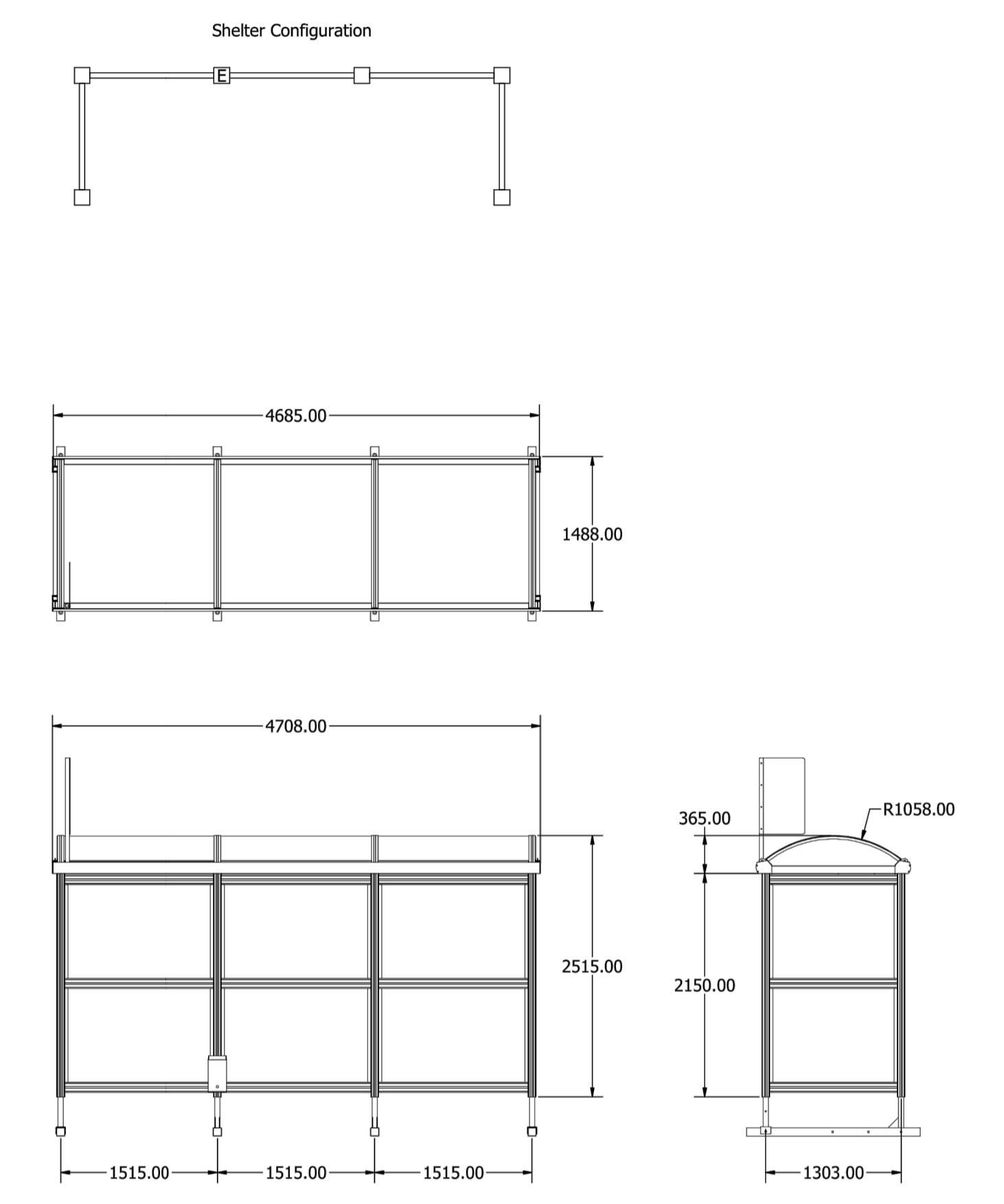
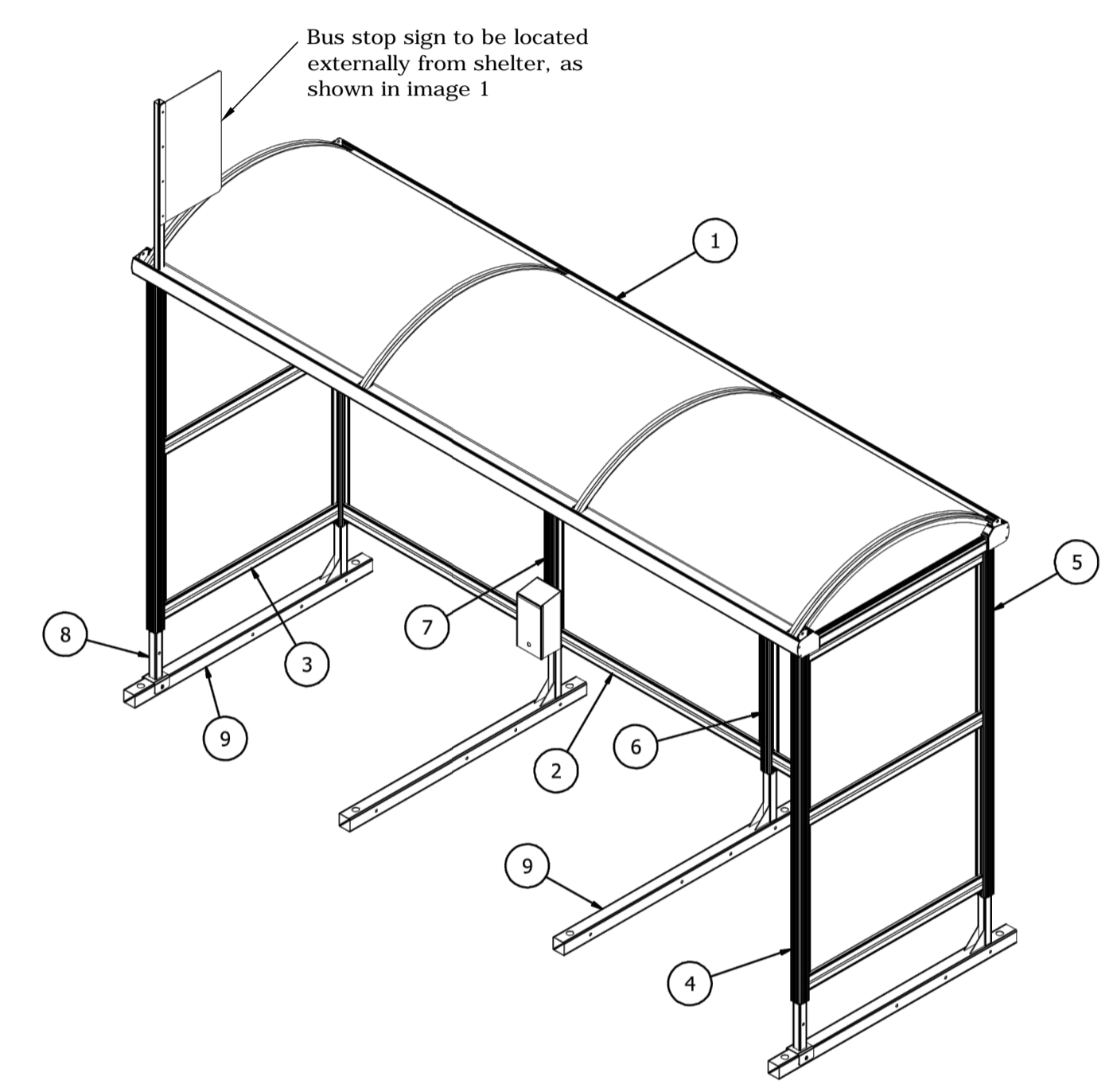


Image 1



Image 2



Image 3



ROLTON GROUP
ENGINEERING THE FUTURE™
www.rolton.com 01933 410909

Project:
**Graven Hill Development
Bicester
Phase 1a**

Drawing Title:
Proposed Bus Stop Details

Drawn By:	Checked By:	Scales:	Date:
CB	SDP	1:100 @A1 1:200 @A3	Apr.18

RGL Project Ref: **16-0069** Specification(s):
Issue Purpose:
PRELIMINARY

GHD	RGL	00	00	DR
Project	Originator	Zone	Level	Type
D	900	2008	S1	P1
Role	Classification	Number	Suitability	Revision

- NOTES**
- This drawing is to be read in conjunction with all the relevant contract documentation.
 - All dimensions are in mm unless otherwise stated. Dimensions to be checked on site prior to construction and any discrepancies reported to the Rolton Group Engineer.
 - Drawings marked Preliminary are for guidance/ approval only, i.e. NOT for Construction.
 - Revision clouds are shown for assistance only, the whole drawing is to be checked for new / amended information.