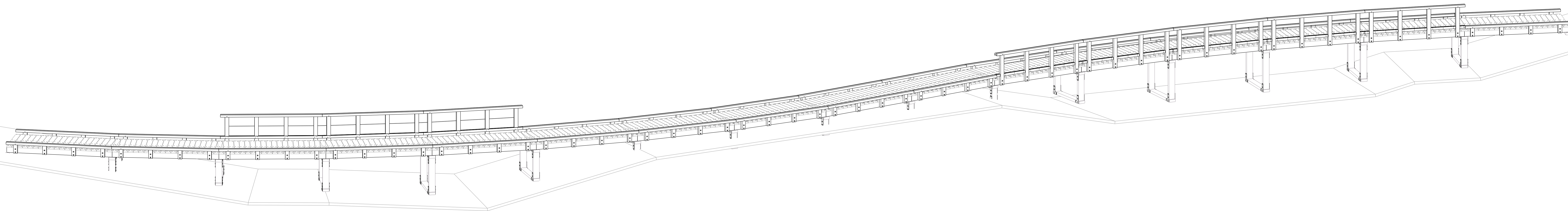


3D-Impressie



3D-Impressie

Class: Pedestrians  
 Load: 5KN/m<sup>2</sup>  
 Timber/material: FSC Mix 70% , certificate no. RA-COC-005535-AV.  
 Steelpars and fixings: S235 galvanised, unless mentioned otherwise.  
 Sizes in mm, unless mentioned otherwise  
 Levels are in meters.

Rev. no.	Description / Revision / Addition	Rev. no.	Revision date	Drawn
-	First Issue Drawing	09/02/2018		Handy
01				Drawn
Project: P.J. Carey (Contractors) Ltd. Middlesex HAY OHR		Status: -		
Work order: Graven Hill, bicester Works phase 1a (Gateway Park North and South)		Design: KW Drawn: Handy		
Part name: North Gateway 3D views		Checked: -		
Scale: As indicated @		AD		
Project order number: 20160241 - 16126 - ES264		Sheet: G [2]		
Type: PREFABO		Type: 1A		

