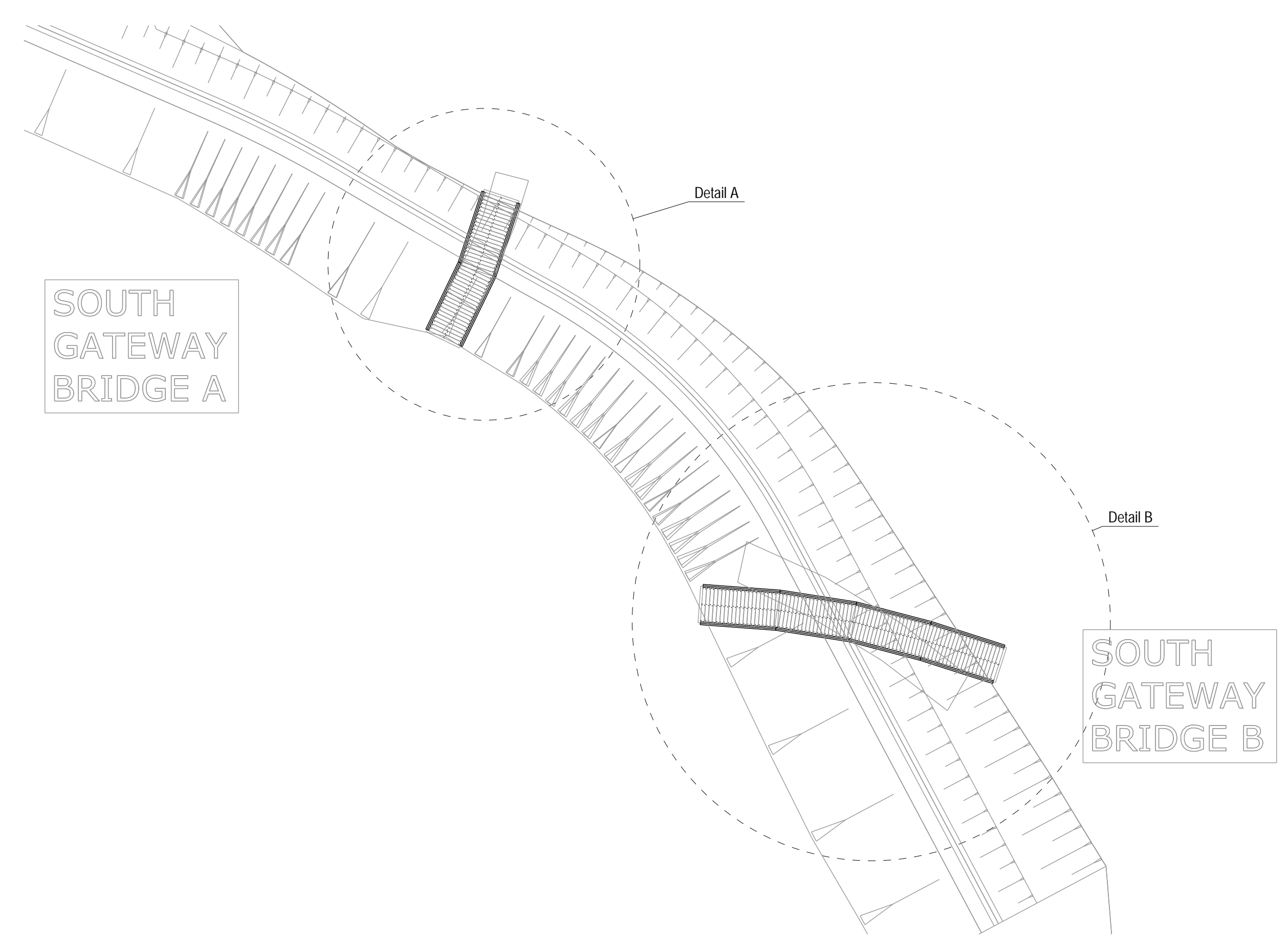
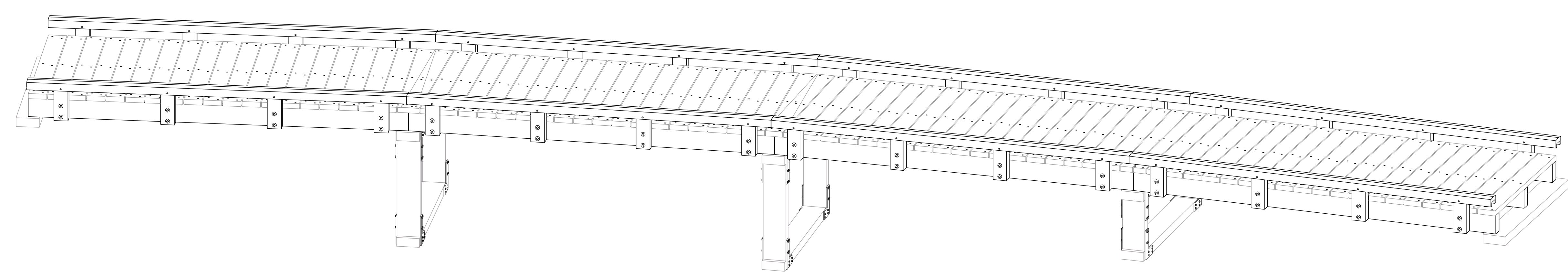


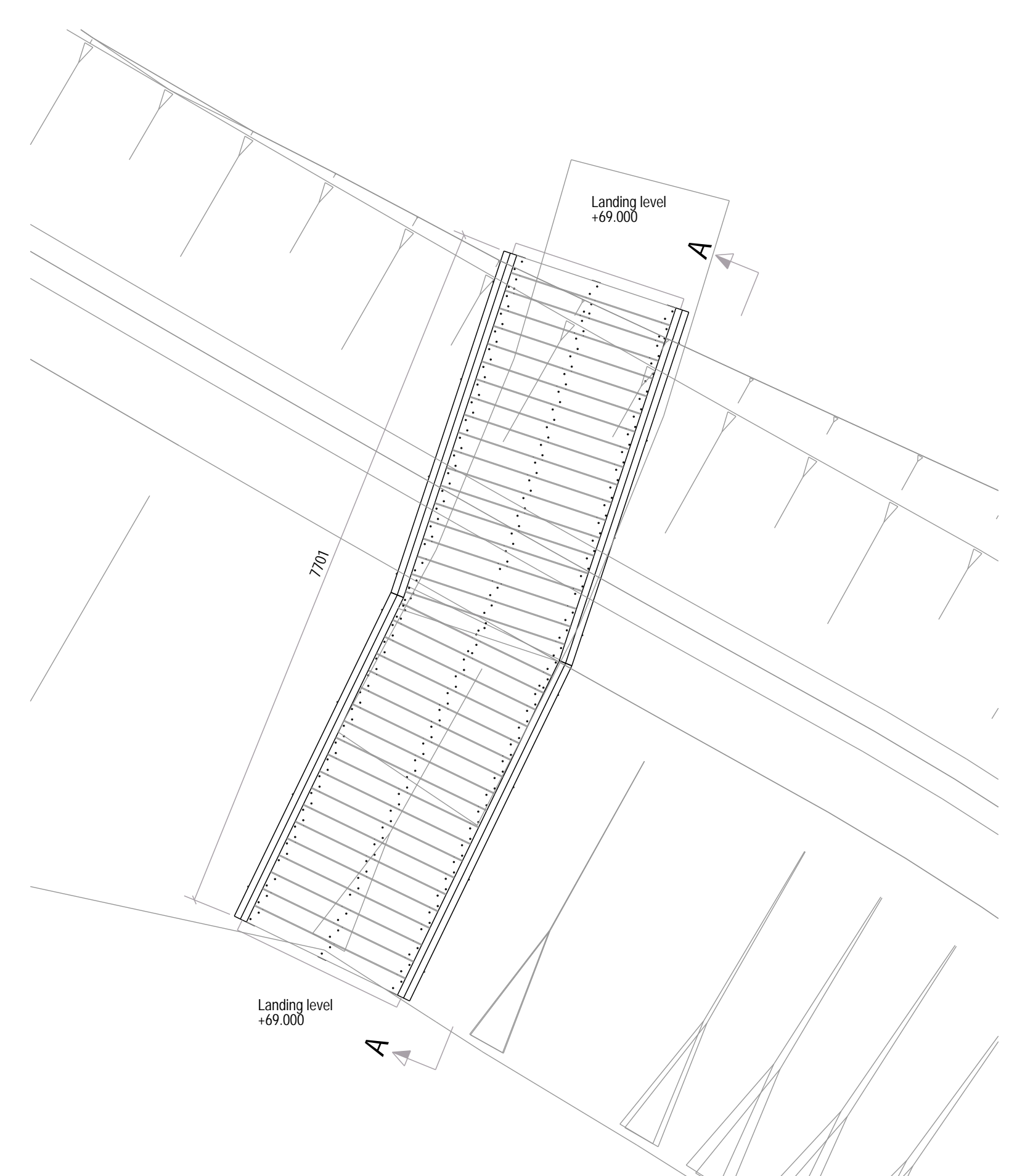
SOUTH GATEWAY BRIDGE A



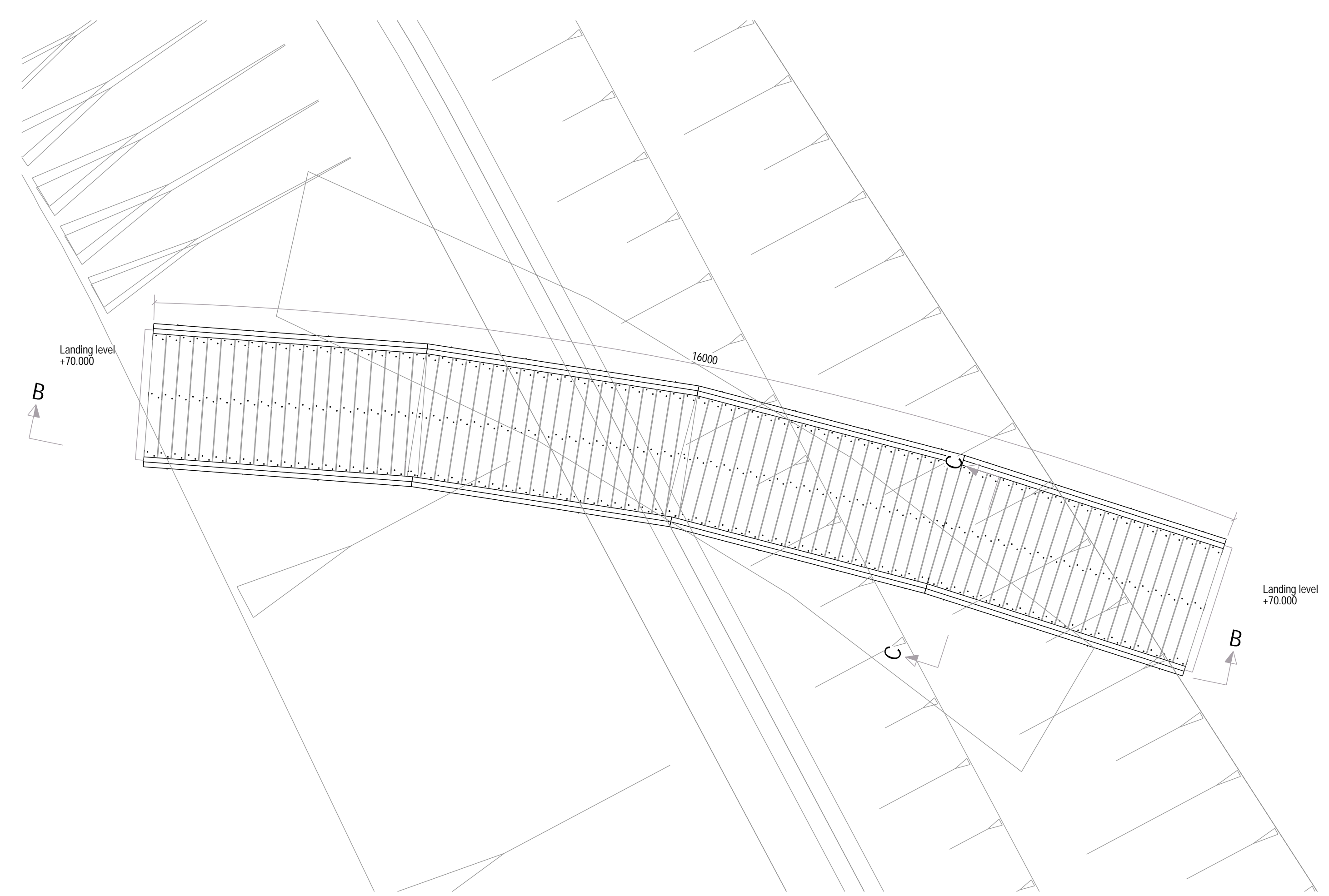
Top view , 1:200



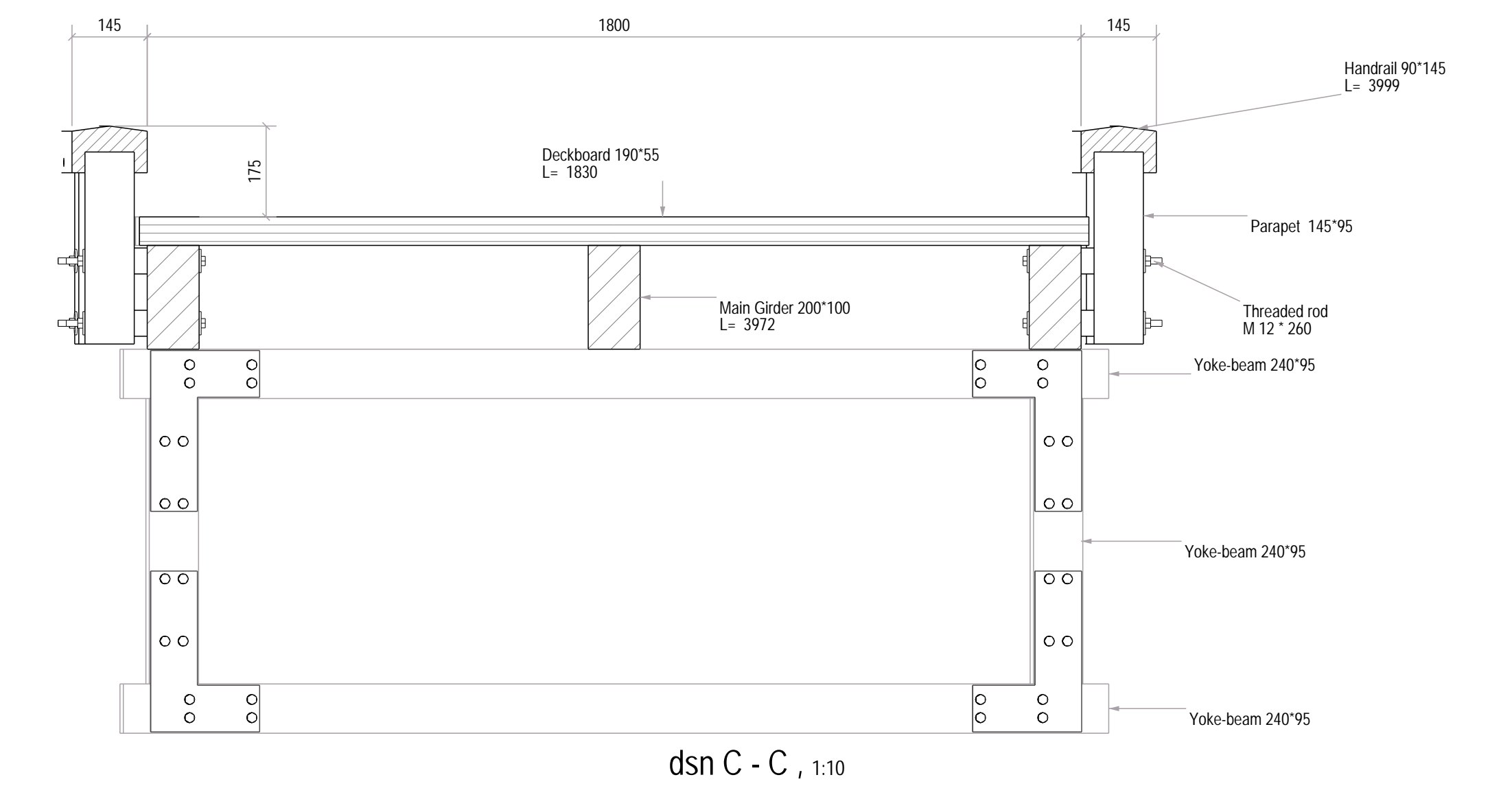
3D-Impressie



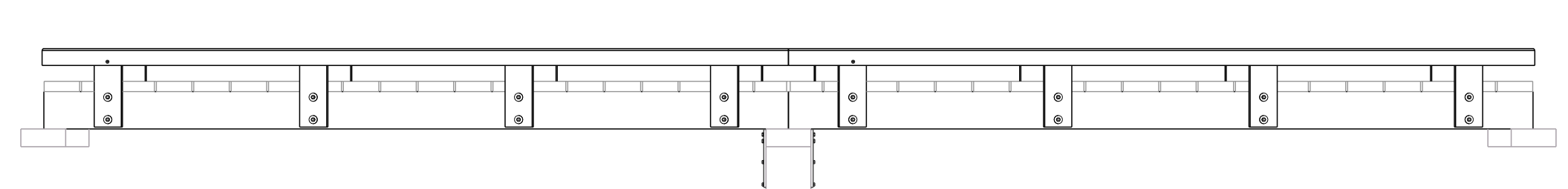
Detail A , 1:50



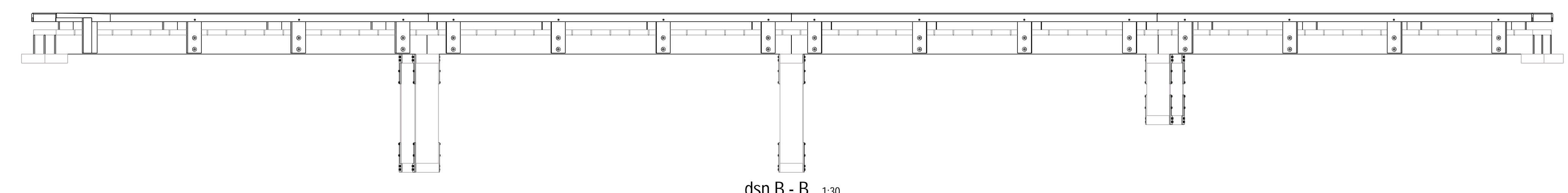
Detail B , 1:50



dsn C - C , 1:10



dsn A - A , 1:30



dsn B - B , 1:30

Class: Pedestrians
 Load: 5KN/m²
 Timber/material: FSC Mix 70% , certificate no. RA-COC-005535-AV.
 Steelpars and fixings: S235 galvanised, unless mentioned otherwise.
 Sizes in mm, unless mentioned otherwise
 Levels are in meters.

Rev. no.	First Issue Drawing	09.02.2018	HWB
Description	Revision/revision	Revision date	Drawn
Project	P.J. Carey (Contractors) Ltd.	Status	-
Client	Middlesex HAV OHR	Design	KW
Work phase	Graven Hill, bicester	Drawn	HWB
Per phase	South Gateway	Checked	-
Overview	Overview with details	Scale	As indicated @ AD
SARUM HARDWOOD STRUCTURES LTD		Project order number	20180211_181426_E5264
W/O: MAT & TIMBER SERVICES Unit 16, Chelster Down Farm STOCKBRIDGE, Hampshire, SO20 4BB Tel: 01246 811100 - Fax: 01246 810000 info@sarumhardwood.co.uk www.sarumhardwood.co.uk		Sheet	G [3]
		PREFAZIONE	Type: 1A