

The Contractor is to check and verify in conjunction with the Architects details all setting out points, building and site dimensions, levels and sewer invert levels at connection points and ensure that they are fully conversant with the contents and requirements of the site investigation report before work starts. The Contractor is to comply in all respects with current building legislation, British Standard Specifications, Building Regulations etc. whether or not specifically stated on this drawing.

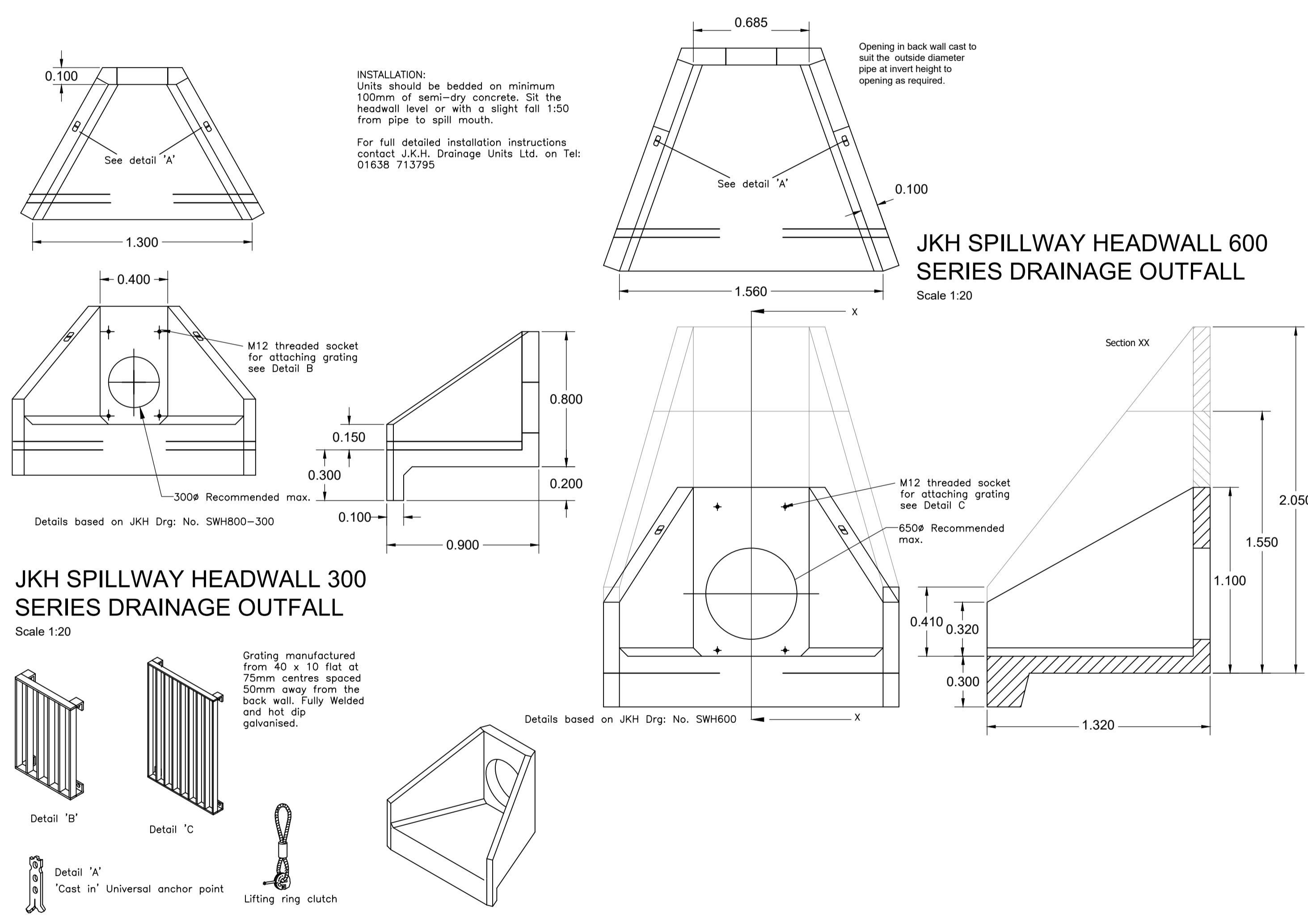
This drawing is not intended to show details of ground conditions or ground contaminants. Each area of ground relied upon to support any structure depicted (including drainage) must be investigated by the Contractor. Any areas of formation for said structures which do not accord with the anticipated conditions as described in the site investigation report are to be immediately notified to the Engineer, where applicable. Any suspect fluid ground or ground contaminants on or within the ground should be further investigated by a suitable expert. Any earthworks shown indicate typical slopes for guidance only and should be investigated further by a suitable geotechnical expert.

Where existing trees are shown to be retained they should be subject to a full Arboricultural inspection for safety. All trees are to be planted so as to ensure they are a minimum of 5 metres from buildings and 3 metres from drainage and services, where applicable. A foundation is to be provided to accommodate the proposed tree planting, where applicable.

© This drawing and the building works depicted are the copyright of Banners Gate Ltd and may not be reproduced or amended except by written permission. No liability will be accepted for amendments made by other persons.

**GENERAL NOTES**

1. This drawing is to be read in conjunction with relevant architectural and engineering drawings.
2. Levels indicated in blocks are Finished floor levels and are 150mm above adjacent finished ground levels unless otherwise shown.



**INSTALLATION:**  
Units should be bedded on minimum 100mm of semi-dry concrete. Sit the headwall level or with a slight fall 1:50 from pipe to spill mouth.  
For full detailed installation instructions contact J.K.H. Drainage Units Ltd. on Tel: 01638 713795

**JKH SPILLWAY HEADWALL 600 SERIES DRAINAGE OUTFALL**  
Scale 1:20

**JKH SPILLWAY HEADWALL 300 SERIES DRAINAGE OUTFALL**  
Scale 1:20

Grating manufactured from 40 x 10 flat at 75mm centres spaced 50mm away from the back wall. Fully Welded and hot dip galvanized.

Detail 'B'      Detail 'C'

Detail 'A'      'Cast in' Universal anchor point

Lifting ring clutch

**CONSTRUCTION**

Please note while these drawings may be used for tender purposes, drawings are subject to Thames Water approval as part of ongoing consultations and design check. Amendments may therefore be requested

B	Additional headwall detail provided for up to 6000 SWs	23.09.15	LJ
A	Drawing status changed to 'For Construction'	23.09.15	CB
-	First Issue	15.07.15	JB

Rev.	Description	Date	By
------	-------------	------	----

Client

Project

Cotefield Farm,  
Bodicote

Title

Adoptable Headwall

**BANNERS GATE**  
CIVIL, STRUCTURAL & ARCHITECTURAL DESIGN SERVICES

10-11 Birmingham Street, Halesowen, West Midlands B63 3HN  
Tel: 0121 687 1500 Fax: 0121 687 1501  
E-mail: mail@bannersgate.com

Scale	NTS	Drawn	MM
Date	July 2015	Checked	JB
File	15031/dwgs/civils	Drawing	15031-316 B