

**HOUSE TYPE - 1A
PLOT : 409**

ALL DIMENSIONS ARE IN MILLIMETERS
UNLESS OTHERWISE SPECIFIED.
DO NOT SCALE FROM THIS DETAIL.
IF IN DOUBT ASK.
THIS DRAWING IS COPYRIGHT.

Architectural Status - Please Advise

A B C

Date _____

Sign. _____

Print _____

A- Proceed no comments

B- Incorporate comments & proceed

C- Resubmit for approval

SYSTEM:-

WINDOW - MODUS FLUSH

COLOUR:-

(RAL 7015)Slate Grey Smooth On White

GLASS :-TBC

WINDOW HARDWARE :-

1. Standard Handle
2. Standard Lock
3. Standard Trickle vent
4. Hinge :
 - 1) SBD Hinge All Ground Floor & Accessable Area. (MEGA Hinge Where Applicable)
 - 2) Tried Hinge Above GF Side Hung Window (MEGA Hinge Where Applicable)

CILL :-

TBC

Revisions Format

Ltr	Description	Date

Ltr	Description	Date

Ltr	Description	Date

UNIQUE BUILDING ON SUCCESS

Unique Window Systems
87 Parker Drive
Leicester LE4 0JP
Tel: 0116 2364656
Fax: 0116 2364511
E-Mail: sales@uws.co.uk
Web site: www.uws.co.uk

Drwg Title HT 1A

Job Reference Heyford Park Phase 8

Customer Dorchester Living

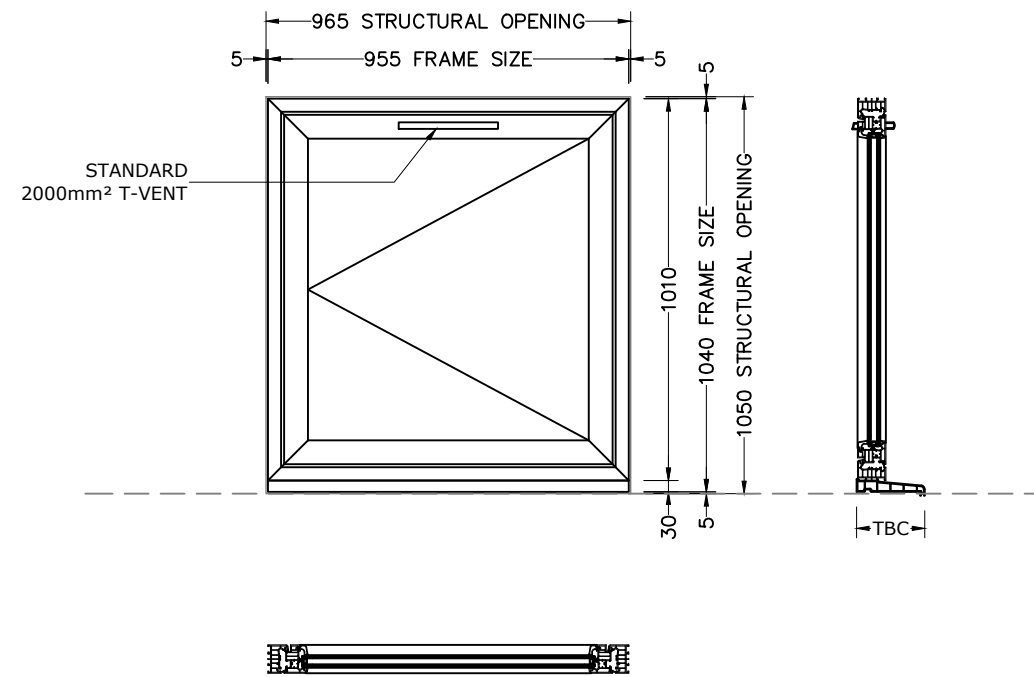
Scale 1:20 Paper A3

Drawn By KK Date 15.01.19

Chkd. Design SM Chkd. Contracts AP

Job No. H005348

Drwg. No. UW-01-1A Rev. ----



WINDOW							
NO.	WINDOW REF	ELEVATION	FLOOR	LOCATION	SBD	GLASS	QTY
1	W1	FRONT	GROUND	KITCHEN	YES	TBC	1
TOTAL							1