

HOUSE TYPE - AF2
 PLOT : 362,363,384,385
 390,391,392

ALL DIMENSIONS ARE IN MILLIMETERS
 UNLESS OTHERWISE SPECIFIED.
 DO NOT SCALE FROM THIS DETAIL.
 IF IN DOUBT ASK.
 THIS DRAWING IS COPYRIGHT.

Architectural Status - Please Advise

A B C

Date _____
 Sign. _____
 Print _____

A- Proceed no comments
 B- Incorporate comments & proceed
 C- Resubmit for approval

SYSTEM:-
 WINDOW - MODUS FLUSH

COLOUR:-
 (RAL 7015)Slate Grey Smooth On White

GLASS :-TBC

WINDOW HARDWARE :-

1. Standard Handle
2. Standard Lock
3. Standard Trickle vent
4. LTH
5. Hinge :
 - 1) SBD Hinge All Ground Floor & Accessable Area.
(MEGA Hinge Where Applicable)
 - 2) Tried Hinge Above GF Side Hung Window
(MEGA Hinge Where Applicable)

CILL :-

TBC

Revisions Format

Ltr	Description	Date

Ltr	Description	Date

Ltr	Description	Date



Unique Window Systems
 87 Parker Drive
 Leicester LE4 0JP
 Tel: 0116 2364656
 Fax: 0116 2364511
 E-Mail: sales@uws.co.uk
 Web site: www.uws.co.uk

Drwg Title HT AF2

Job Reference Heyford Park Phase 8

Customer Dorchester Living

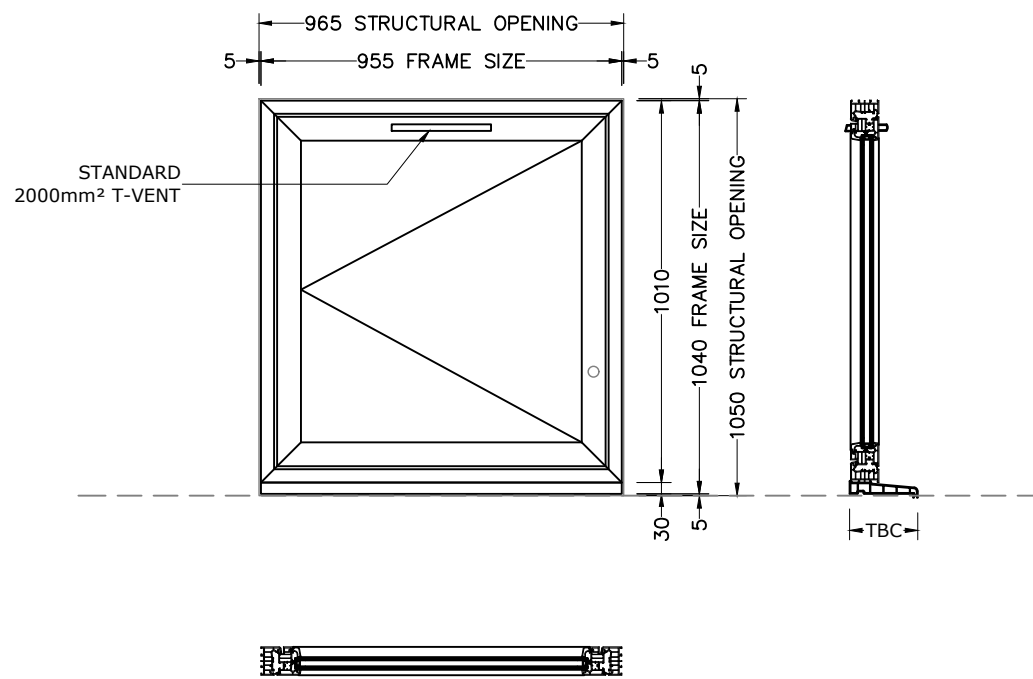
Scale 1:20 Paper A3

Drawn By KK Date 15.01.19

Chkd. Design SM Chkd. Contracts AP

Job No. H005348

Drwg. No. UW-01-AF2 Rev. ----



NOTE :
 1) Handle Height 250mm Bottom Of The Sash

WINDOW							
NO.	WINDOW REF	ELEVATION	FLOOR	LOCATION	SBD	GLASS	QTY
1	W2	FRONT	GROUND	KITCHEN	YES	TBC	7
TOTAL							7