

HOUSE TYPE - AF3(SA)
PLOT : 361,386 to 389

ALL DIMENSIONS ARE IN MILLIMETERS
UNLESS OTHERWISE SPECIFIED.
DO NOT SCALE FROM THIS DETAIL.
IF IN DOUBT ASK.
THIS DRAWING IS COPYRIGHT.

Architectural Status - Please Advise

A B C

Date _____
Sign. _____
Print _____

A- Proceed no comments
B- Incorporate comments & proceed
C- Resubmit for approval

SYSTEM:-
WINDOW - MODUS FLUSH

COLOUR:-
(RAL 7015)Slate Grey Smooth On White

GLASS :-TBC

WINDOW HARDWARE :-
1. Standard Handle
2. Standard Lock
3. Standard Trickle vent
4. LTH
5. Hinge :
1) SBD Hinge All Ground Floor & Accessable Area.
(MEGA Hinge Where Applicable)
2) Tried Hinge Above GF Side Hung Window
(MEGA Hinge Where Applicable)

CILL :-
TBC

Revisions Format

Ltr	Description	Date
B	Drawing Revised As Per Comments	13.02.19
A	Drawing Revised As Per Comments	23.01.19

Ltr Description Date

UNIQUE BUILDING ON SUCCESS

Unique Window Systems
87 Parker Drive
Leicester LE4 0JP
Tel: 0116 2364656
Fax: 0116 2364511
E-Mail: sales@uws.co.uk
Web site: www.uws.co.uk

Drwg Title HT AF3(SA)

Job Reference Heyford Park Phase 8

Customer Dorchester Living

Scale 1:20 Paper A3

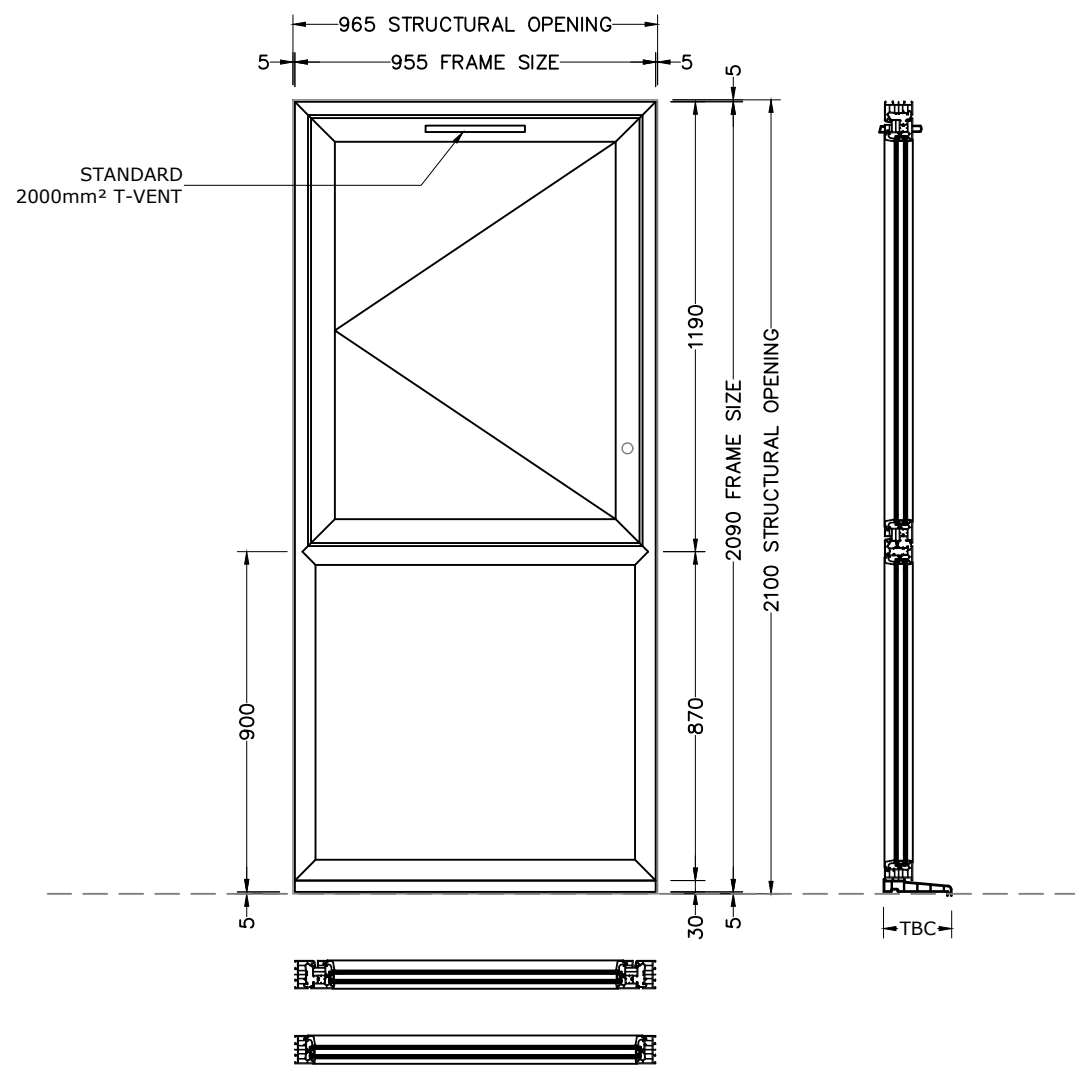
Drawn By KK Date 15.01.19

Chkd. Design SM Chkd. Contracts AP

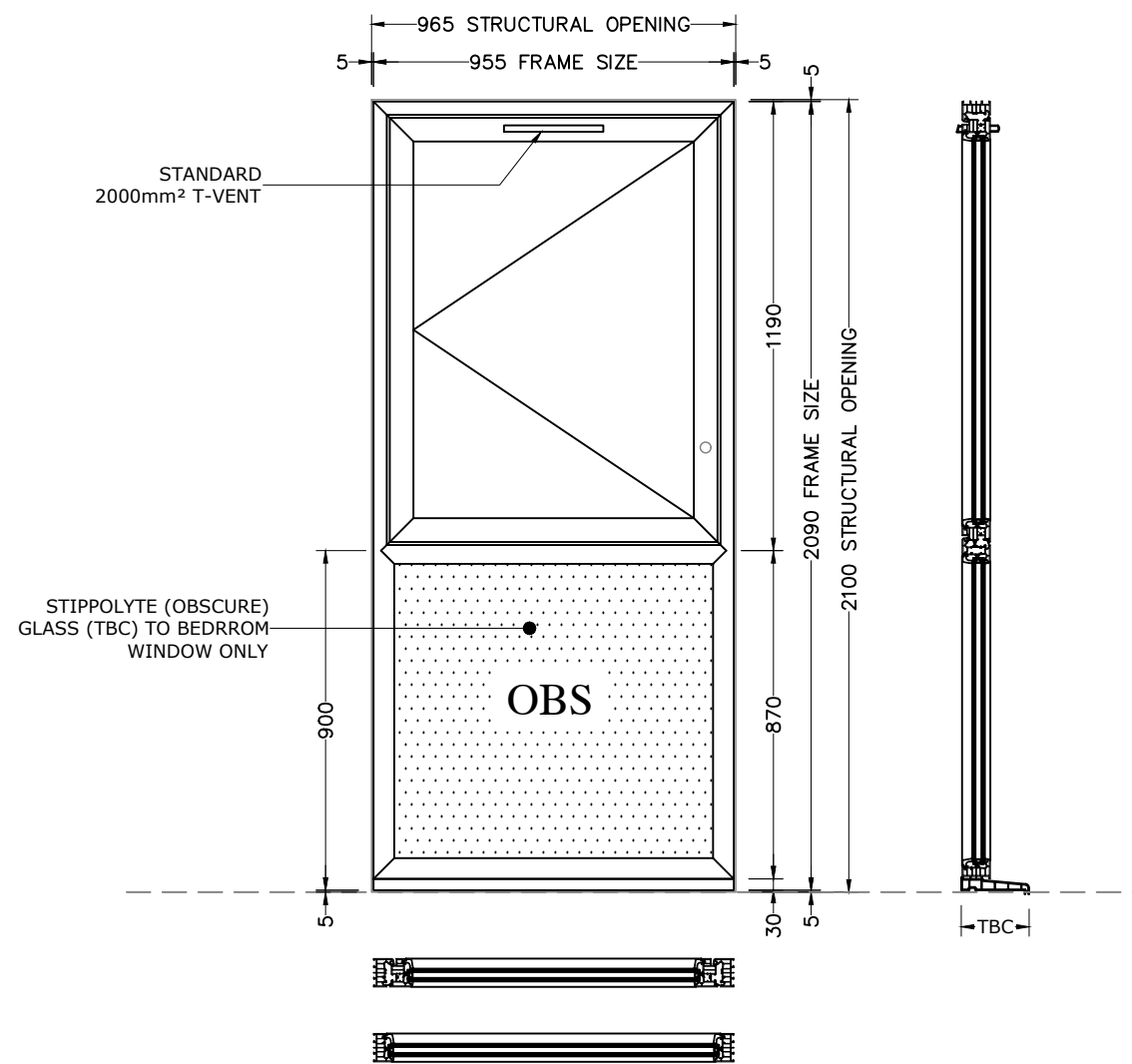
Job No. H005348

Drwg. No. UW-01-AF3(SA) Rev. B

W1,W6 to W8 & W16



W10,W12 to W15 & W18



WINDOW							
NO.	WINDOW REF	ELEVATION	FLOOR	LOCATION	SBD	GLASS	QTY
1	W1	SIDE	GROUND	HALL	YES	TBC	5
2	W6	FRONT	GROUND	LIVING	YES	TBC	5
3	W7	FRONT	GROUND	LIVING	YES	TBC	5
4	W8	FRONT	GROUND	DINING	YES	TBC	5
5	W10	SIDE	FIRST	BED 1	NO	TBC	5
6	W12	SIDE	FIRST	BED 2	NO	TBC	5
7	W13	SIDE	FIRST	BED 3	NO	TBC	5
8	W14	FRONT	FIRST	BED 3	NO	TBC	5
9	W15	FRONT	FIRST	BED 3	NO	TBC	5
10	W16	FRONT	FIRST	LANDING	NO	TBC	5
11	W18	FRONT	FIRST	BED 1	NO	TBC	5
TOTAL							55

NOTE :
2) Handle Height 250mm Bottom Of The Sash