

HOUSE TYPE - SP9
 PLOT : 366,367,368,379
 380,406,407

ALL DIMENSIONS ARE IN MILLIMETERS
 UNLESS OTHERWISE SPECIFIED.
 DO NOT SCALE FROM THIS DETAIL.
 IF IN DOUBT ASK.
 THIS DRAWING IS COPYRIGHT.

Architectural Status - Please Advise

A B C

Date _____

Sign. _____

Print _____

A- Proceed no comments

B- Incorporate comments & proceed

C- Resubmit for approval

SYSTEM:-

WINDOW - MODUS FLUSH

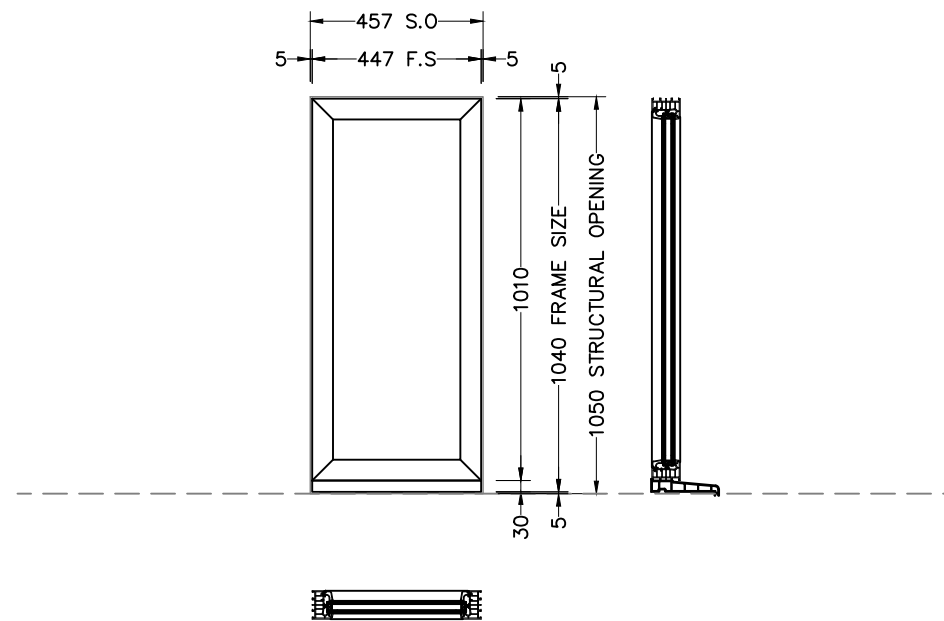
COLOUR:-

(RAL 7015)Slate Grey Smooth On White

GLASS :-TBC

CILL :-

TBC



Revisions Format

Ltr	Description	Date

Ltr	Description	Date



Unique Window Systems
 87 Parker Drive
 Leicester LE4 0JP
 Tel: 0116 2364656
 Fax: 0116 2364511
 E-Mail: sales@uws.co.uk
 Web site: www.uws.co.uk

Drwg Title | HT SP9

Job Reference | Heyford Park Phase 8

Customer | Dorchester Living

Scale | 1:20 | Paper | A3

Drawn By | KK | Date | 15.01.19

Chkd. Design | SM | Chkd. Contracts | AP

Job No. | H005348

Drwg. No. | UW-01-SP9 | Rev. | ----

WINDOW							
NO.	WINDOW REF	ELEVATION	FLOOR	LOCATION	SBD	GLASS	QTY
1	W3	FRONT	GROUND	HALL	YES	TBC	7
TOTAL							7