

**HOUSE TYPE - 1A
PLOT : 409**

ALL DIMENSIONS ARE IN MILLIMETERS
UNLESS OTHERWISE SPECIFIED.
DO NOT SCALE FROM THIS DETAIL.
IF IN DOUBT ASK.
THIS DRAWING IS COPYRIGHT.

Architectural Status - Please Advise

A B C

Date _____

Sign. _____

Print _____

A- Proceed no comments

B- Incorporate comments & proceed

C- Resubmit for approval

SYSTEM:-

WINDOW - MODUS FLUSH

COLOUR:-

(RAL 7015)Slate Grey Smooth On White

GLASS :-TBC

WINDOW HARDWARE :-

1. Standard Handle
2. Standard Lock
3. Standard Trickle vent
4. Hinge :
 - 1) SBD Hinge All Ground Floor & Accessable Area. (MEGA Hinge Where Applicable)
 - 2) Tried Hinge Above GF Side Hung Window (MEGA Hinge Where Applicable)

CILL :-

TBC

Revisions Format

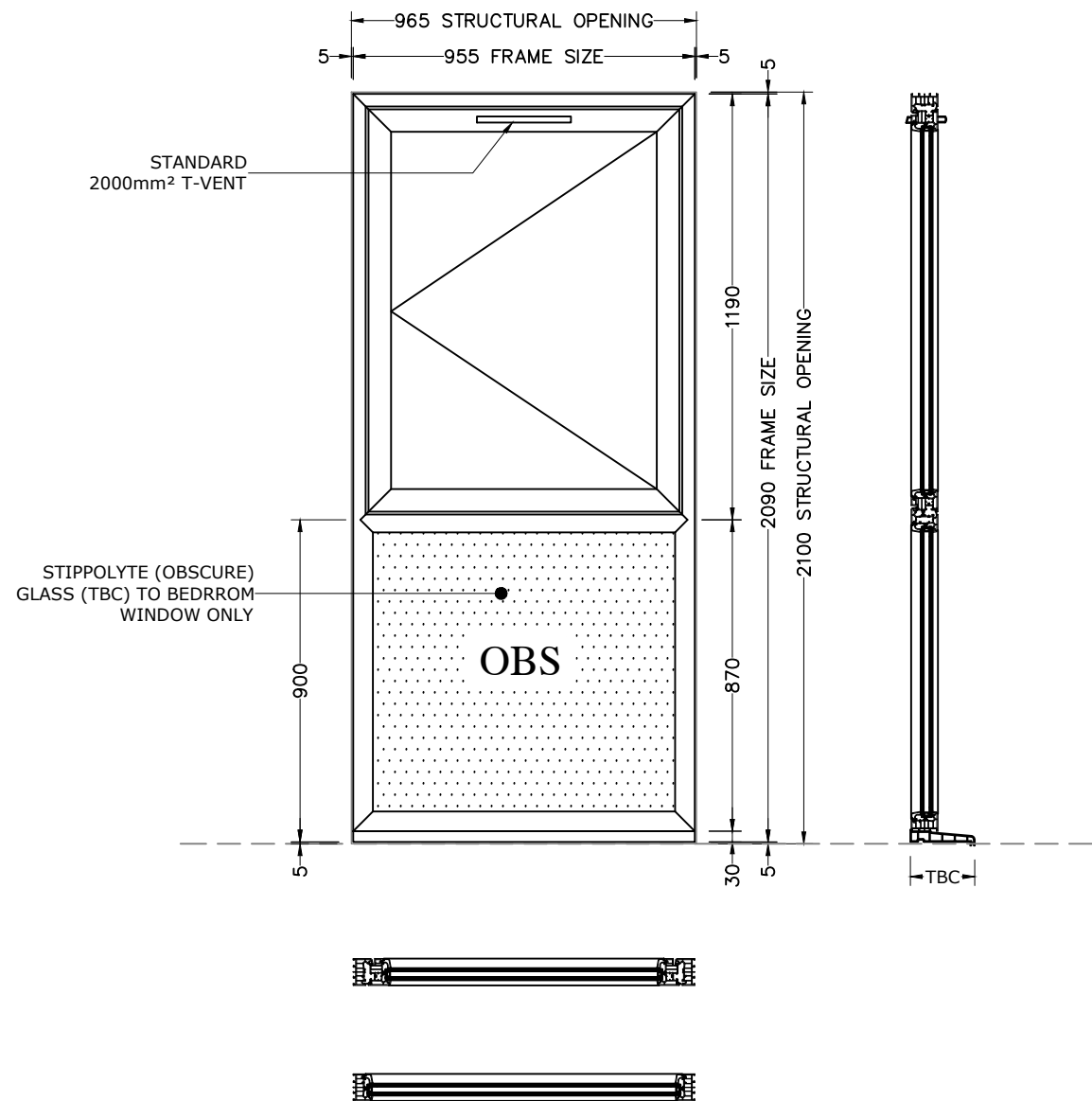
Ltr	Description	Date
B	Drawing Revised As Per Comments	13.02.19
A	Drawing Revised As Per Comments	23.01.19
Ltr	Description	Date

UNIQUE BUILDING ON SUCCESS

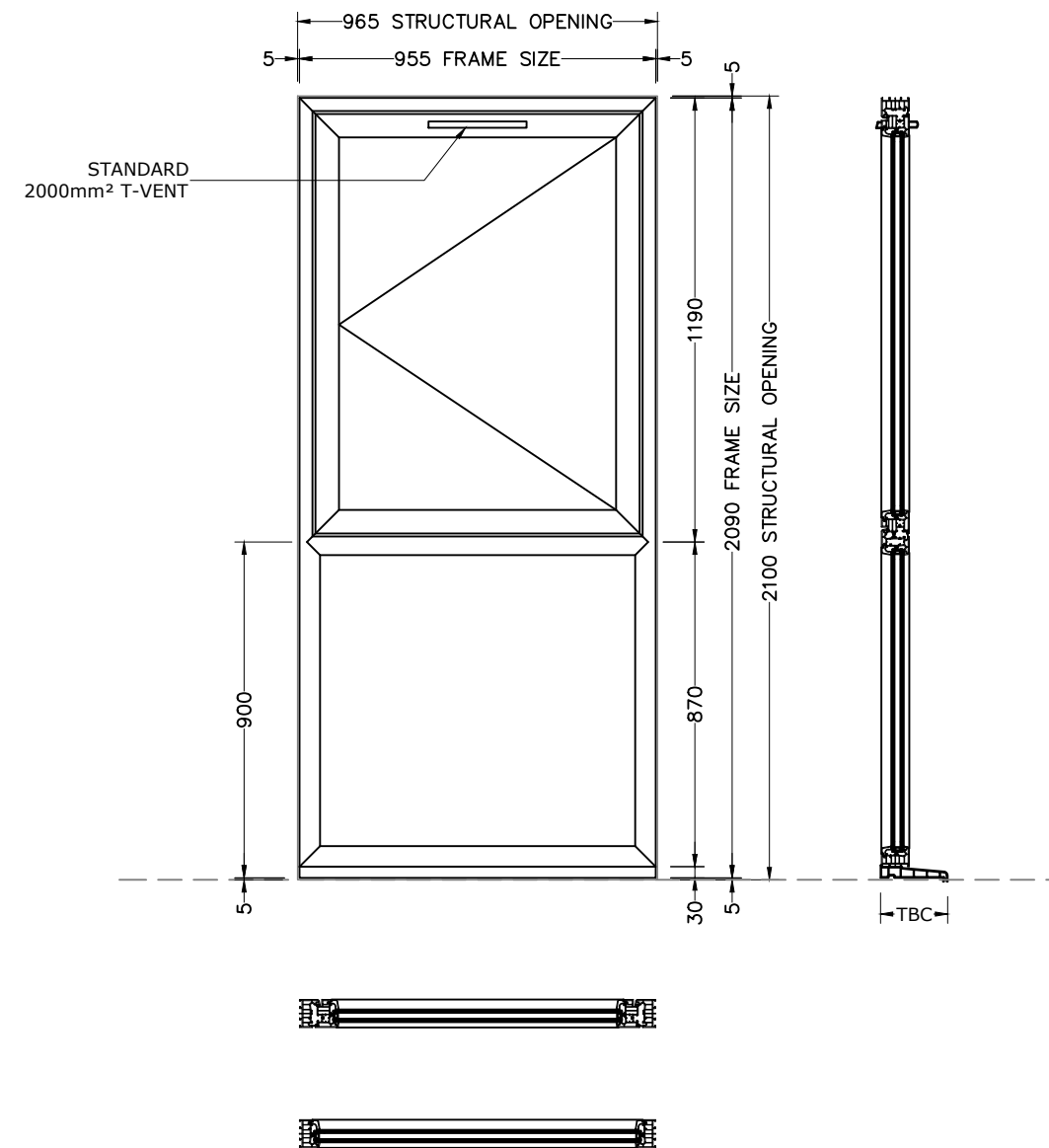
Unique Window Systems
87 Parker Drive
Leicester LE4 0JP
Tel: 0116 2364656
Fax: 0116 2364511
E-Mail: sales@uws.co.uk
Web site: www.uws.co.uk

Drwg Title	HT 1A	
Job Reference	Heyford Park Phase 8	
Customer	Dorchester Living	
Scale	1:20	Paper A3
Drawn By	KK	Date 15.01.19
Chkd. Design	SM	Chkd. Contracts AP
Job No.	H005348	
Drwg. No.	UW-02-1A	Rev. B

W9 & W11



W3



WINDOW							
NO.	WINDOW REF	ELEVATION	FLOOR	LOCATION	SBD	GLASS	QTY
1	W3	FRONT	GROUND	LIVING	YES	TBC	1
2	W9	REAR	FIRST	BED 1	NO	TBC	1
3	W11	REAR	FIRST	BED 2	NO	TBC	1
TOTAL							3