

**HOUSE TYPE - AF2**  
**PLOT : 362,363,384,385**  
**390,391,392**

ALL DIMENSIONS ARE IN MILLIMETERS  
 UNLESS OTHERWISE SPECIFIED.  
 DO NOT SCALE FROM THIS DETAIL.  
 IF IN DOUBT ASK.  
 THIS DRAWING IS COPYRIGHT.

Architectural Status - Please Advise

A  B  C

Date \_\_\_\_\_  
 Sign. \_\_\_\_\_  
 Print \_\_\_\_\_

A- Proceed no comments  
 B- Incorporate comments & proceed  
 C- Resubmit for approval

**SYSTEM:-**  
 WINDOW - MODUS FLUSH

**COLOUR:-**  
 (RAL 7015)Slate Grey Smooth On White

**GLASS :-TBC**

**WINDOW HARDWARE :-**

1. Standard Handle
2. Standard Lock
3. Standard Trickle vent
4. LTH
5. Hinge :
  - 1) SBD Hinge All Ground Floor & Accessable Area. (MEGA Hinge Where Applicable)
  - 2) Tried Hinge Above GF Side Hung Window (MEGA Hinge Where Applicable)

**CILL :-**

TBC

Revisions Format

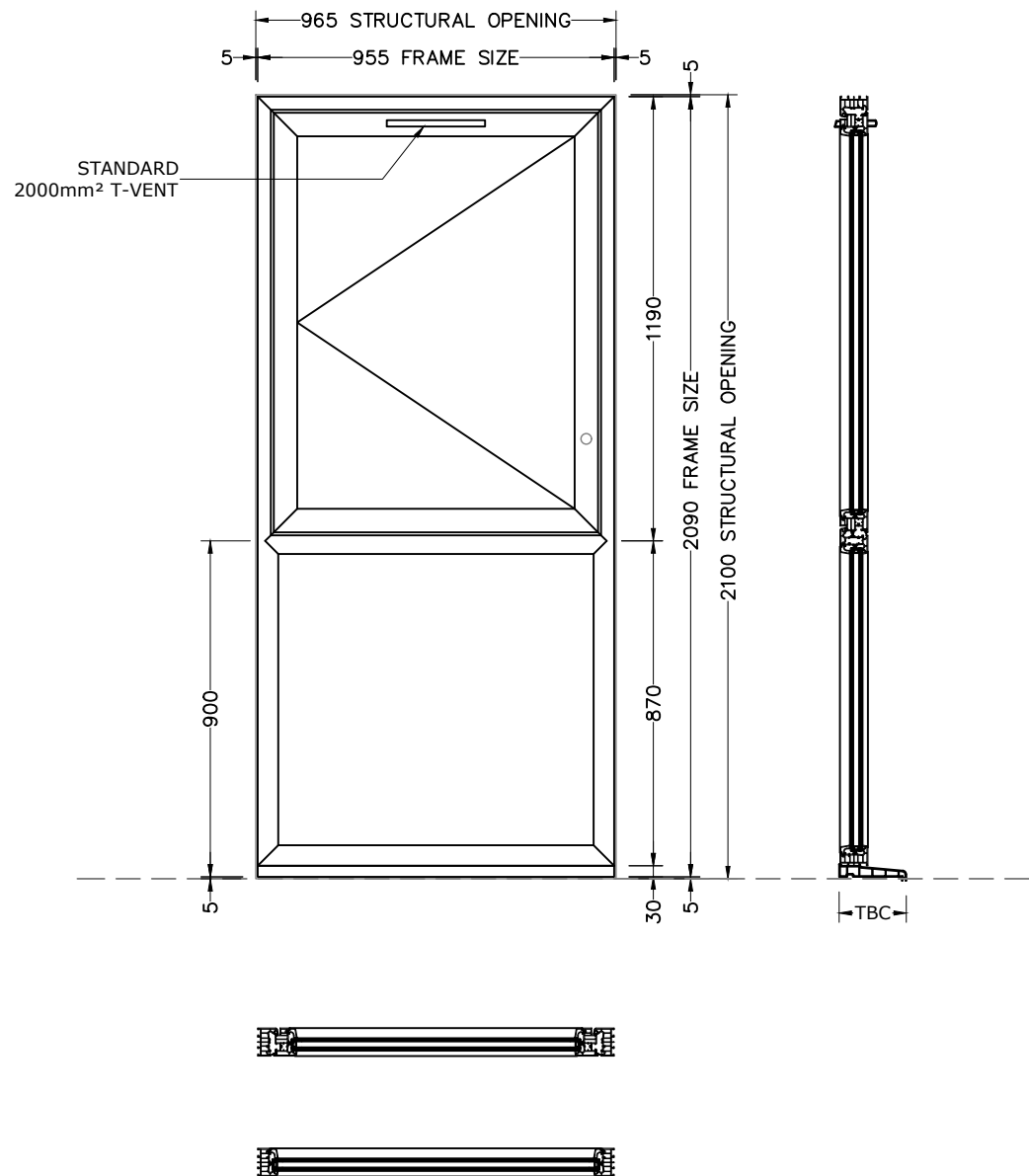
Ltr	Description	Date
B	Drawing Revised As Per Comments	13.02.19
A	Drawing Revised As Per Comments	23.01.19
Ltr	Description	Date

**UNIQUE** BUILDING ON SUCCESS

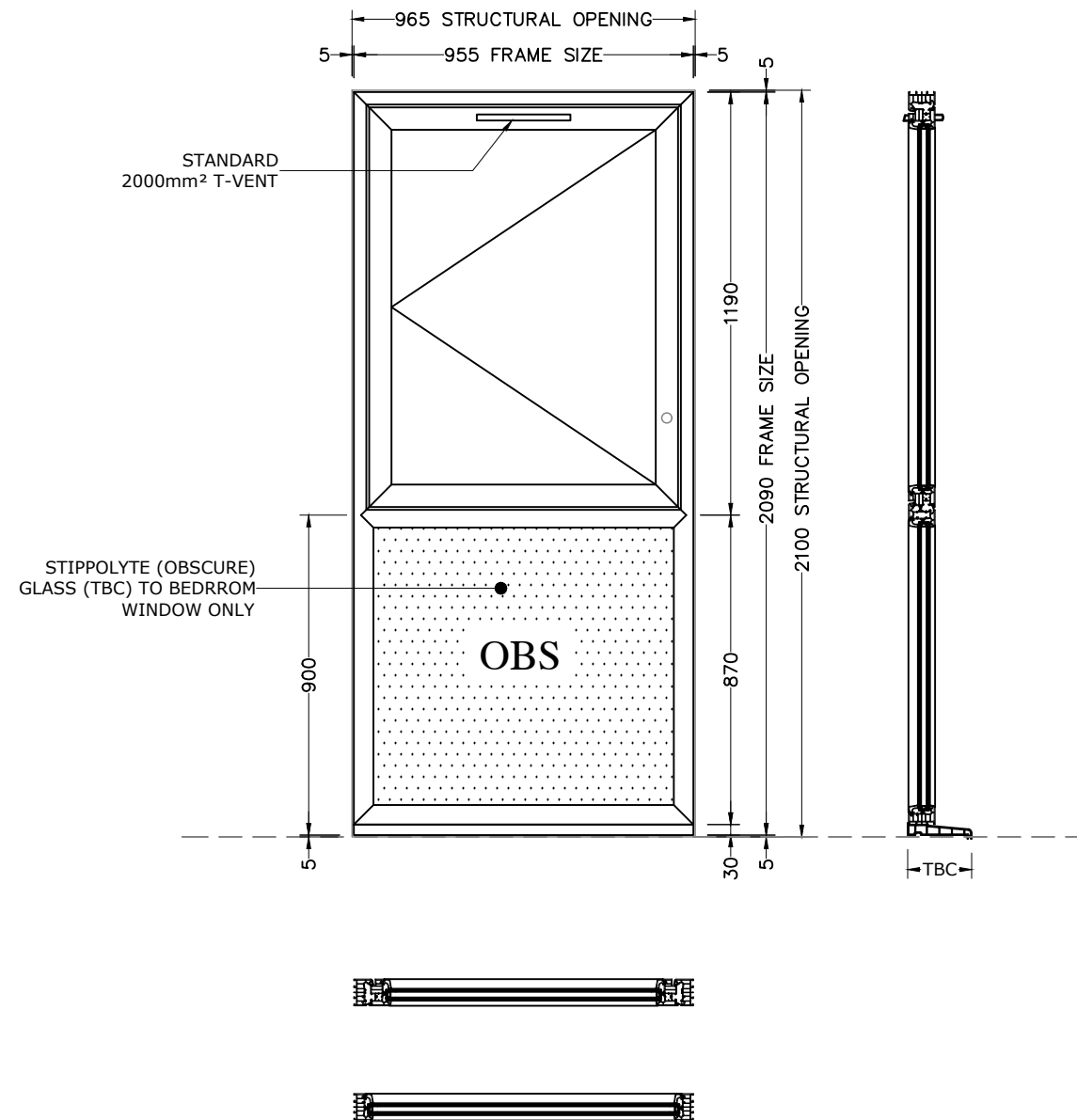
Unique Window Systems  
 87 Parker Drive  
 Leicester LE4 0JP  
 Tel: 0116 2364656  
 Fax: 0116 2364511  
 E-Mail: sales@uws.co.uk  
 Web site: www.uws.co.uk

Drwg Title	HT AF2	
Job Reference	Heyford Park Phase 8	
Customer	Dorchester Living	
Scale	1:20	Paper A3
Drawn By	KK	Date 15.01.19
Chkd. Design	SM	Chkd. Contracts AP
Job No.	H005348	
Drwg. No.	UW-02-AF2	Rev. B

**W3**



**W5**



**NOTE :**  
 1) Handle Height 250mm Bottom Of The Sash

WINDOW							
NO.	WINDOW REF	ELEVATION	FLOOR	LOCATION	SBD	GLASS	QTY
1	W3	REAR	GROUND	LIVING	YES	TBC	7
2	W5	FRONT	FIRST	BED 1	NO	TBC	7
<b>TOTAL</b>							<b>14</b>