

HOUSE TYPE - AF4B
PLOT : 370 to 377

ALL DIMENSIONS ARE IN MILLIMETERS
UNLESS OTHERWISE SPECIFIED.
DO NOT SCALE FROM THIS DETAIL.
IF IN DOUBT ASK.
THIS DRAWING IS COPYRIGHT.

Architectural Status - Please Advise

A B C

Date _____

Sign. _____

Print _____

A- Proceed no comments

B- Incorporate comments & proceed

C- Resubmit for approval

SYSTEM:-

WINDOW - MODUS FLUSH

COLOUR:-

(RAL 7015)Slate Grey Smooth On White

GLASS :-TBC

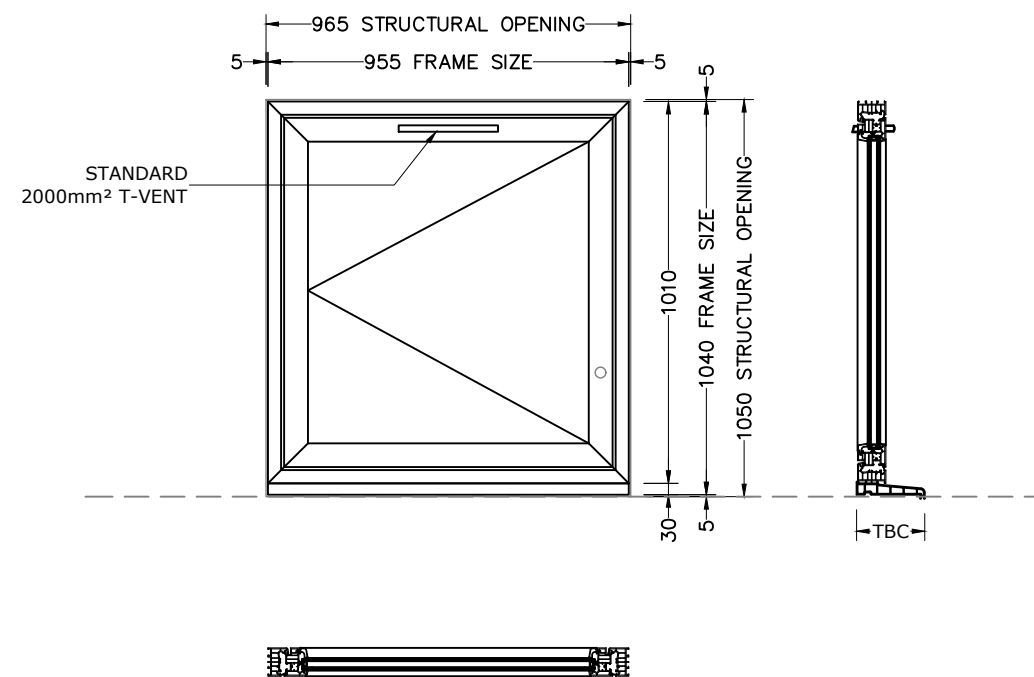
WINDOW HARDWARE :-

1. Standard Handle
2. Standard Lock
3. Standard Trickle vent
4. LTH
5. Hinge :
 - 1) SBD Hinge All Ground Floor & Accessable Area.
(MEGA Hinge Where Applicable)
 - 2) Tried Hinge Above GF Side Hung Window
(MEGA Hinge Where Applicable)

CILL :-

TBC

Only Plot 373 & 377



Revisions Format

Ltr	Description	Date

Ltr	Description	Date

Ltr	Description	Date



Unique Window Systems
87 Parker Drive
Leicester LE4 0JP
Tel: 0116 2364656
Fax: 0116 2364511
E-Mail: sales@uws.co.uk
Web site: www.uws.co.uk

Drwg Title | HT AF4B

Job Reference | Heyford Park Phase 8

Customer | Dorchester Living

Scale | 1:20 | Paper | A3

Drawn By | KK | Date | 15.01.19

Chkd. Design | SM | Chkd. Contracts | AP

Job No. | H005348

Drwg. No. | UW-06-AF4B | Rev. | ----

NOTE :
1) Handle Height 250mm Bottom Of The Sash

WINDOW							
NO.	WINDOW REF	ELEVATION	FLOOR	LOCATION	SBD	GLASS	QTY
1	W14	SIDE	GROUND	KITCHEN	YES	TBC	2
2	W16	SIDE	FIRST	LIVING	NO	TBC	2
TOTAL							4