

CHANCEL COTTAGE
ASTON OX25 4SF

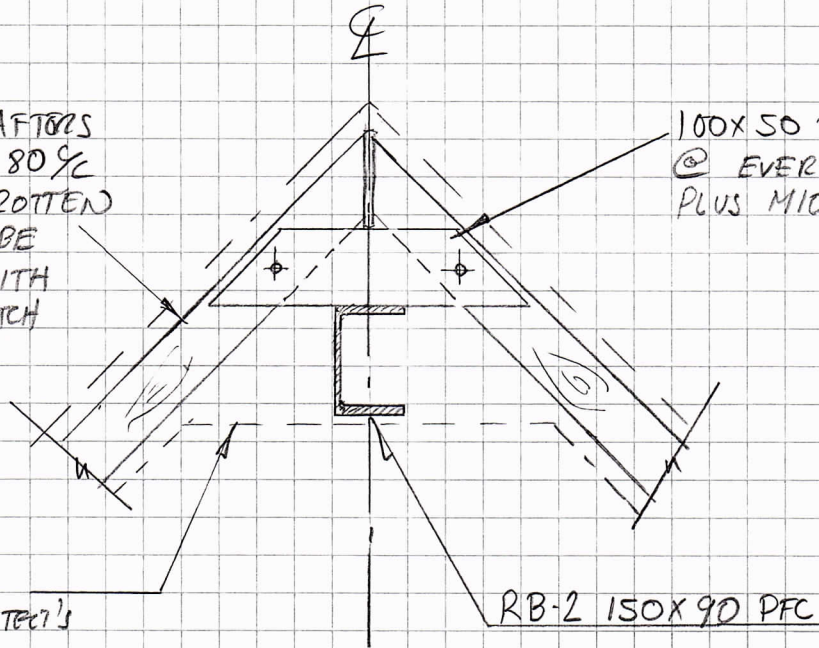
REMEDIAL DETAILS REAR ROOF

17BK-04
REV A

EXISTING RAFTERS
75x50 @ 380%
DECAYED/ROTTEN
RAFTERS TO BE
REPLACED WITH
NEW TO MATCH
EXISTING.

100x50 TIMBER COLLAR
@ EVERY 2ND RAFTER
PLUS MID BOLTS

FINISHES ETC
REFER TO ARCHITECT'S
DRAWINGS



REAR ROOF RB-2 RIDGE DETAIL

(1:10)

