

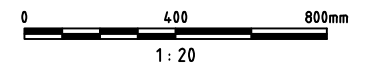
CYCLE STAND: FURNITUBES 'COLLEGE' CYCLE STAND



Product Image

Supplier: Furnitubes
 Product: 'College' cycle stand
 Ref: CSS 650 BP.
 Material: Stainless Steel
 Dimensions: 860x750mm with Ø38 tube
 Finish: Bright Polished finish
 Fixing Method: Root fixed

Product Details

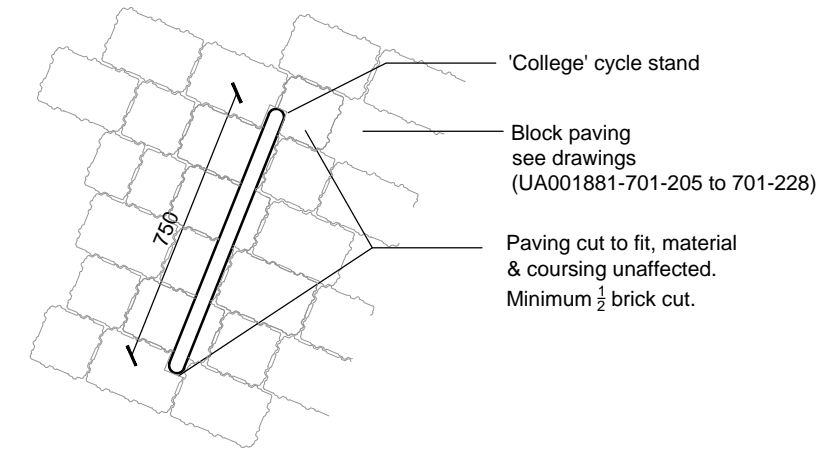
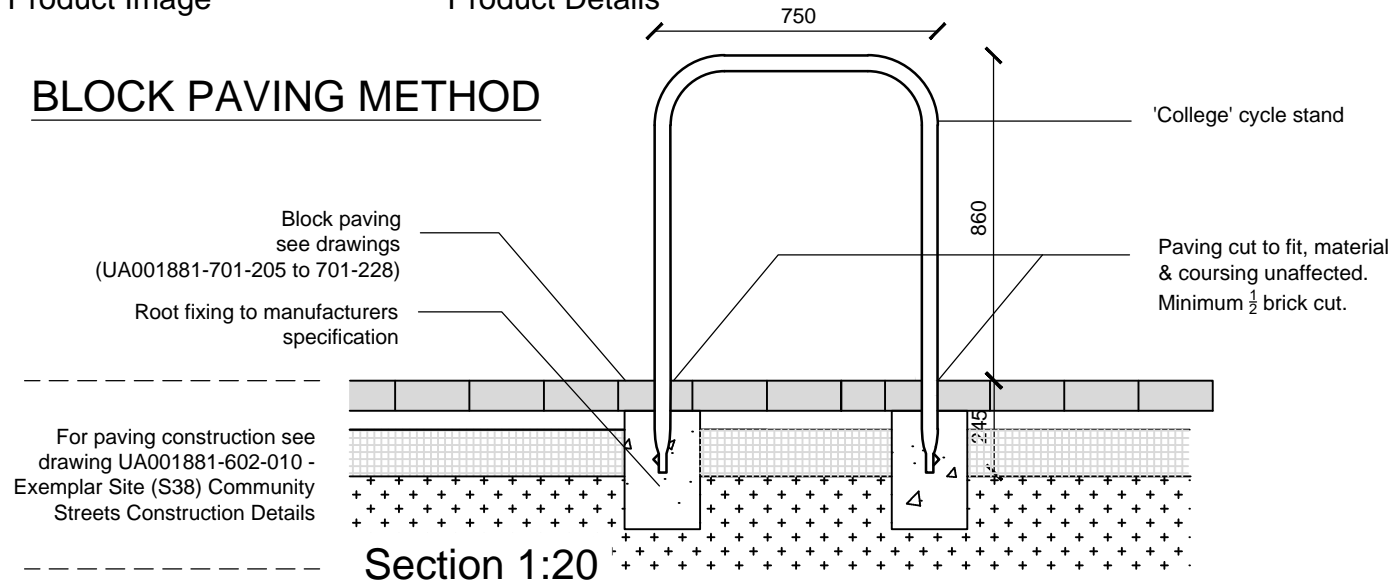


Notes:
 For position of street furniture refer to dwg. UA001881-701-105 Phase 1 Street Furniture Location Plan & Landscape General Arrangement Drawings UA001881-701-205 to 701-228.

See also Landscape Specification Document no. UA001881-701-1100.

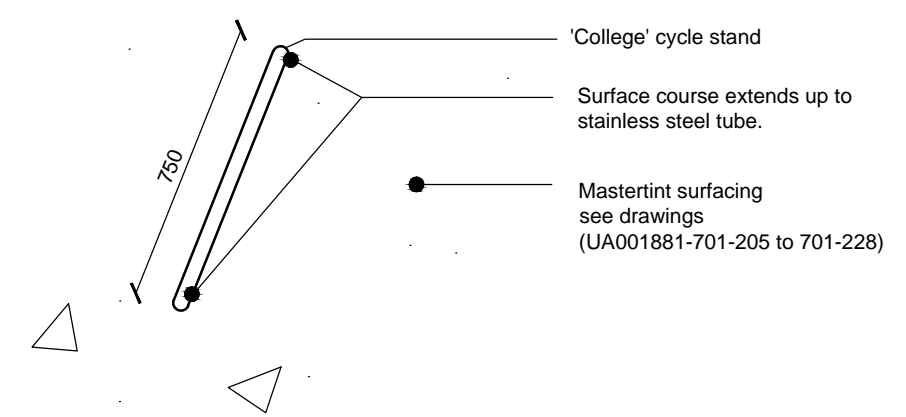
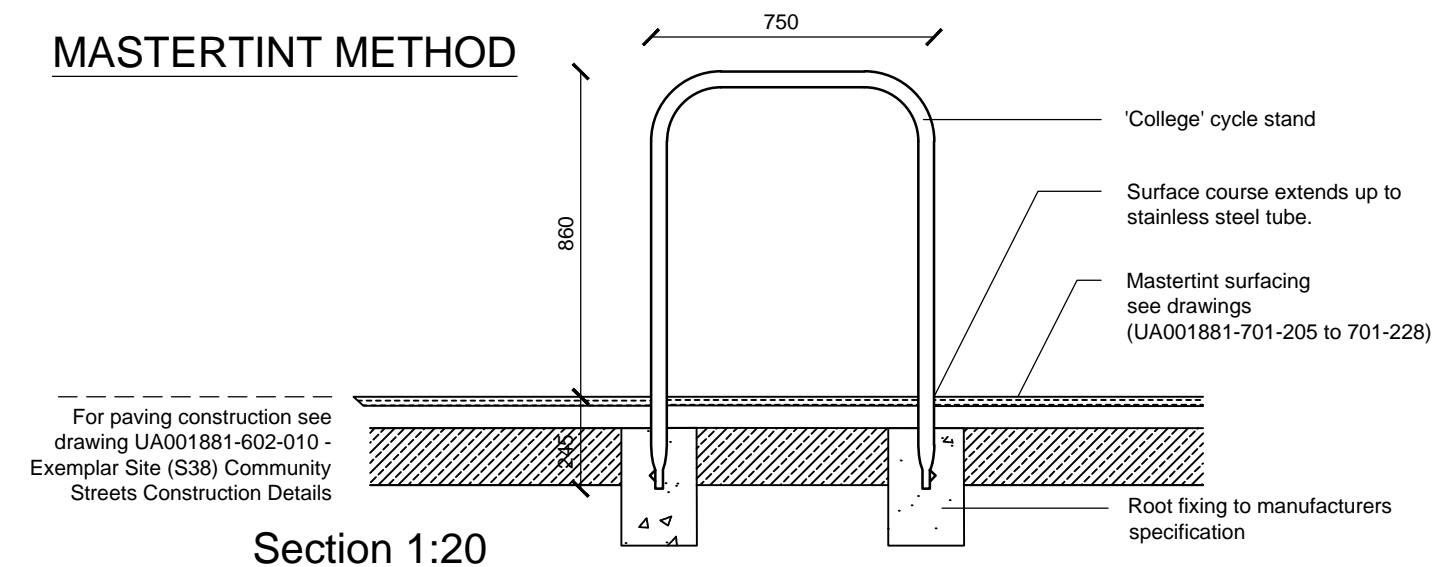
All products are or similar approved.

BLOCK PAVING METHOD



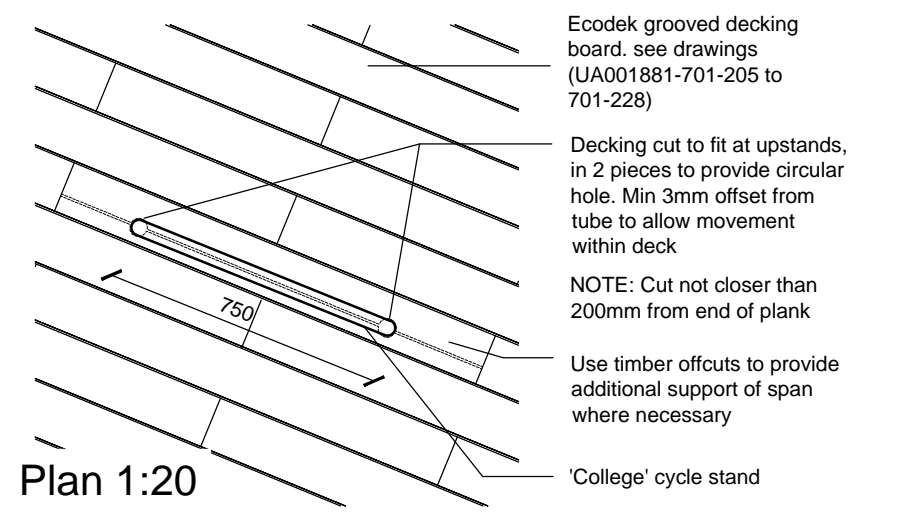
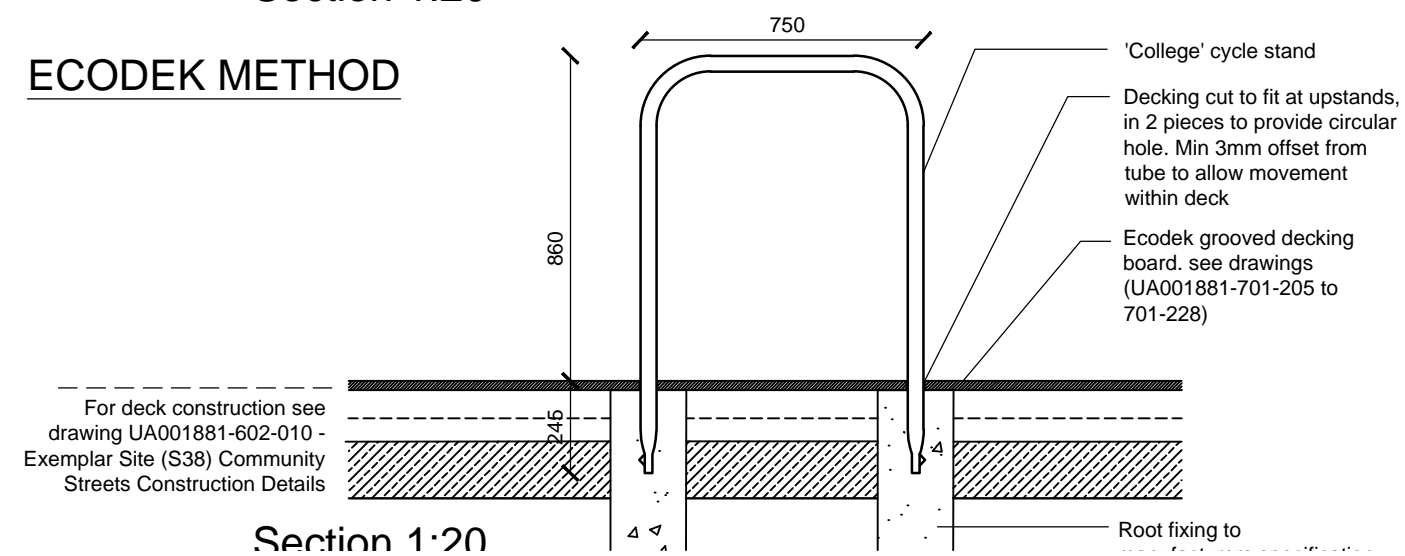
Plan 1:20

MASTERTINT METHOD



Plan 1:20

ECODEK METHOD



Plan 1:20

01 FIRST ISSUE 29-01-13

Issue	Description	Date
01	FIRST ISSUE	29-01-13

Status: **FOR CONSTRUCTION**

Scales	1:20	Current Issue Signatures	
		Author M.REDMAN	
Original Size	A3	Checker A.VICTORY	
Height Datum	DATUM	Approver R.KITCH	
Grid	GRID	© Copyright reserved	

Filename: UA001881-701-613-STREET FURNITURE CYCLE STAND.DWG



Hyder HYDER CONSULTING (UK) Limited
 5th Floor, The Pithay
 All Saints Street
 Bristol, England
 BS1 2NL
 Tel: +44 (0)870 000 3003
 Fax: +44 (0)870 000 3903

Project: **Bicester Southfields Eco Development**

Title: **Street Furniture Cycle Stand**

Drawing No.	Project No.	Issue
701-613	UA001881	01