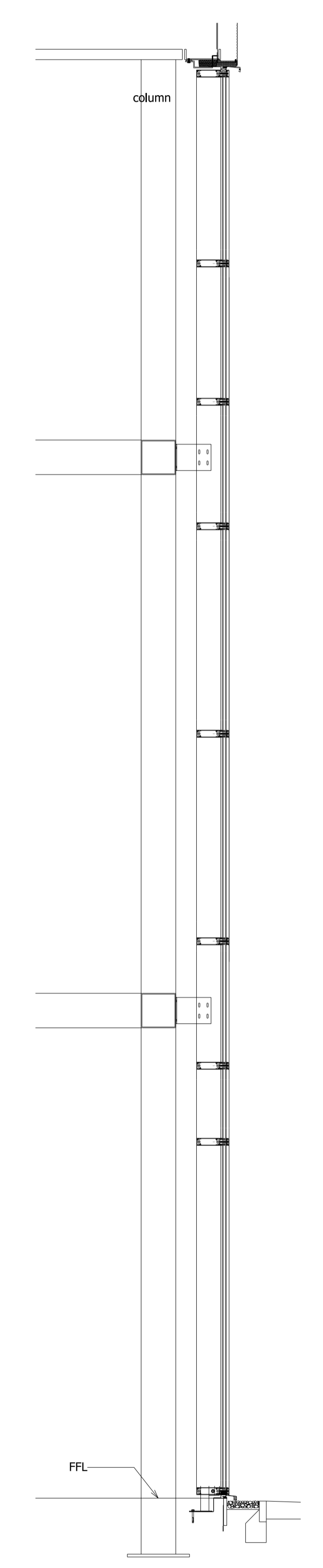


Hazardous Materials.
Working in confined spaces.
Risk of falling.

Do not scale. Work only to figured dimensions.

Where applicable this drawing is to be read in conjunction with other consultants drawings and with the specification.

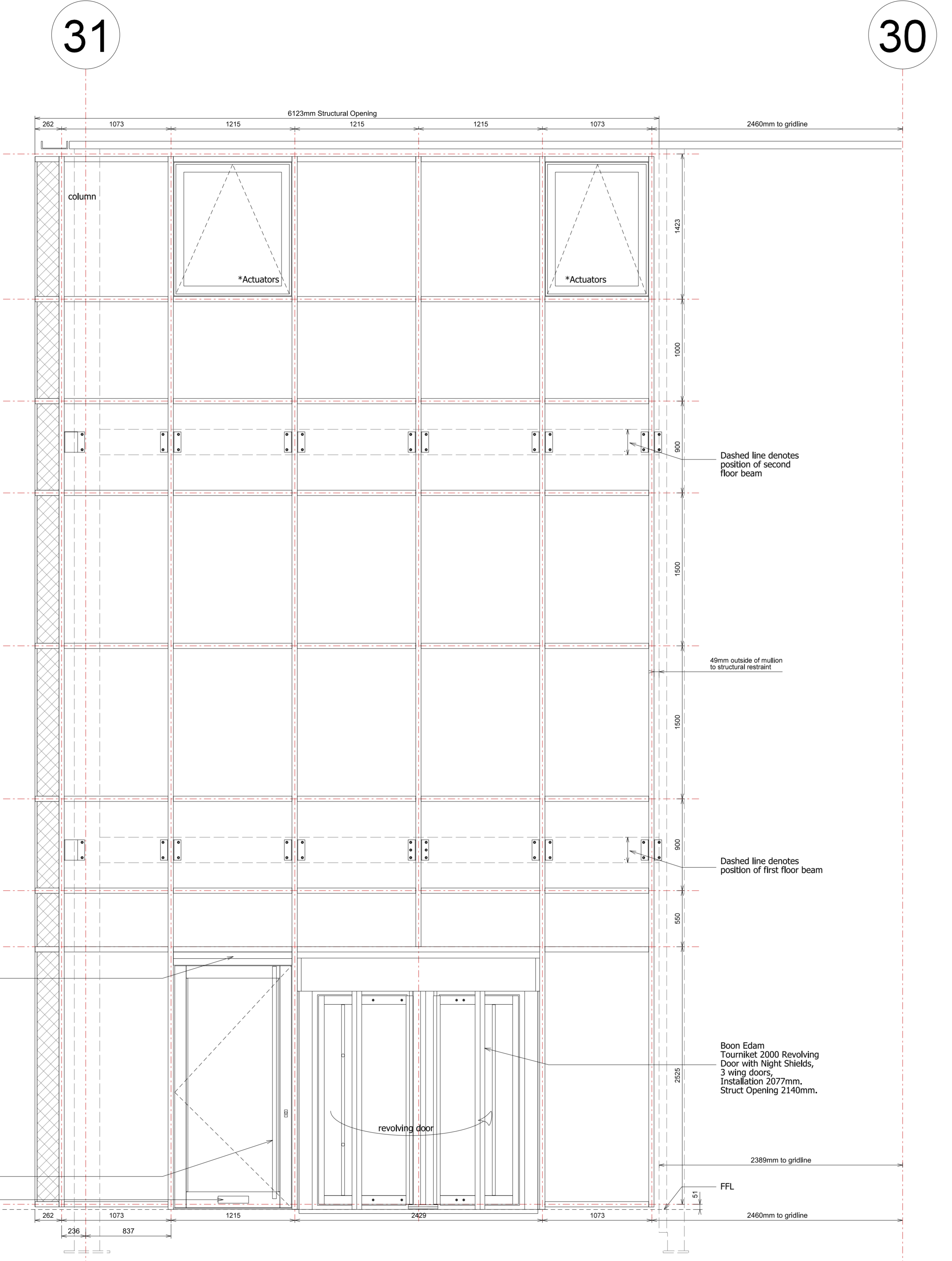
All dimensions to be checked on site prior to commencement of work.



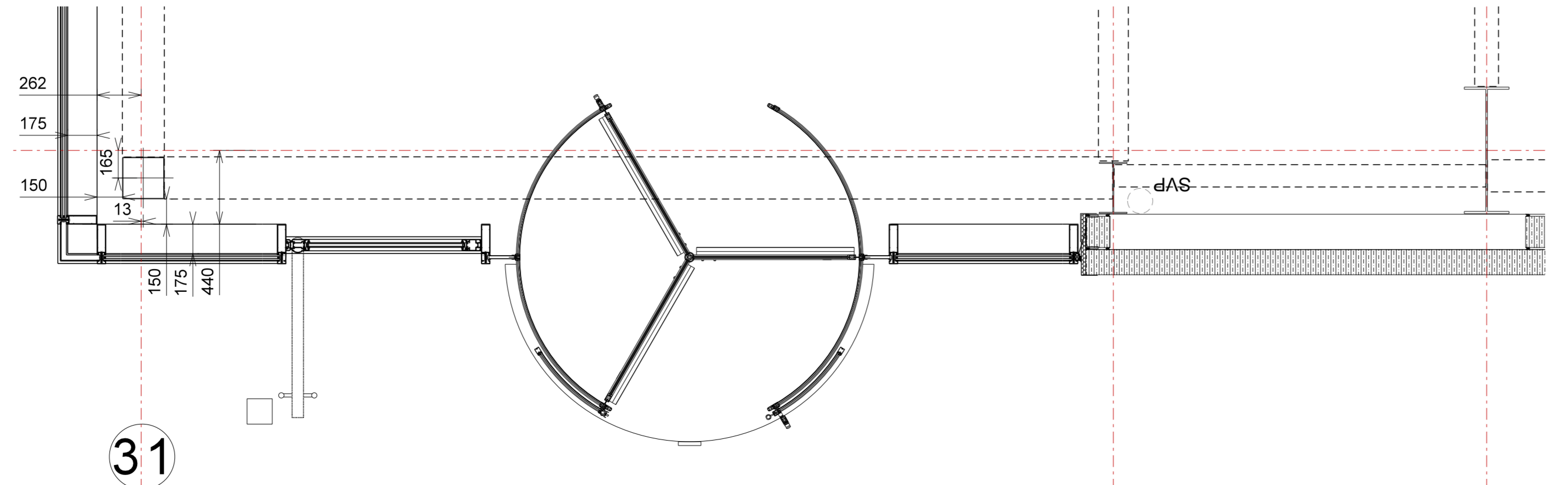
110mm blanking plate to receive Dorma ED100 push arm (Automatic swing door operator internally mounted)

Full height handle

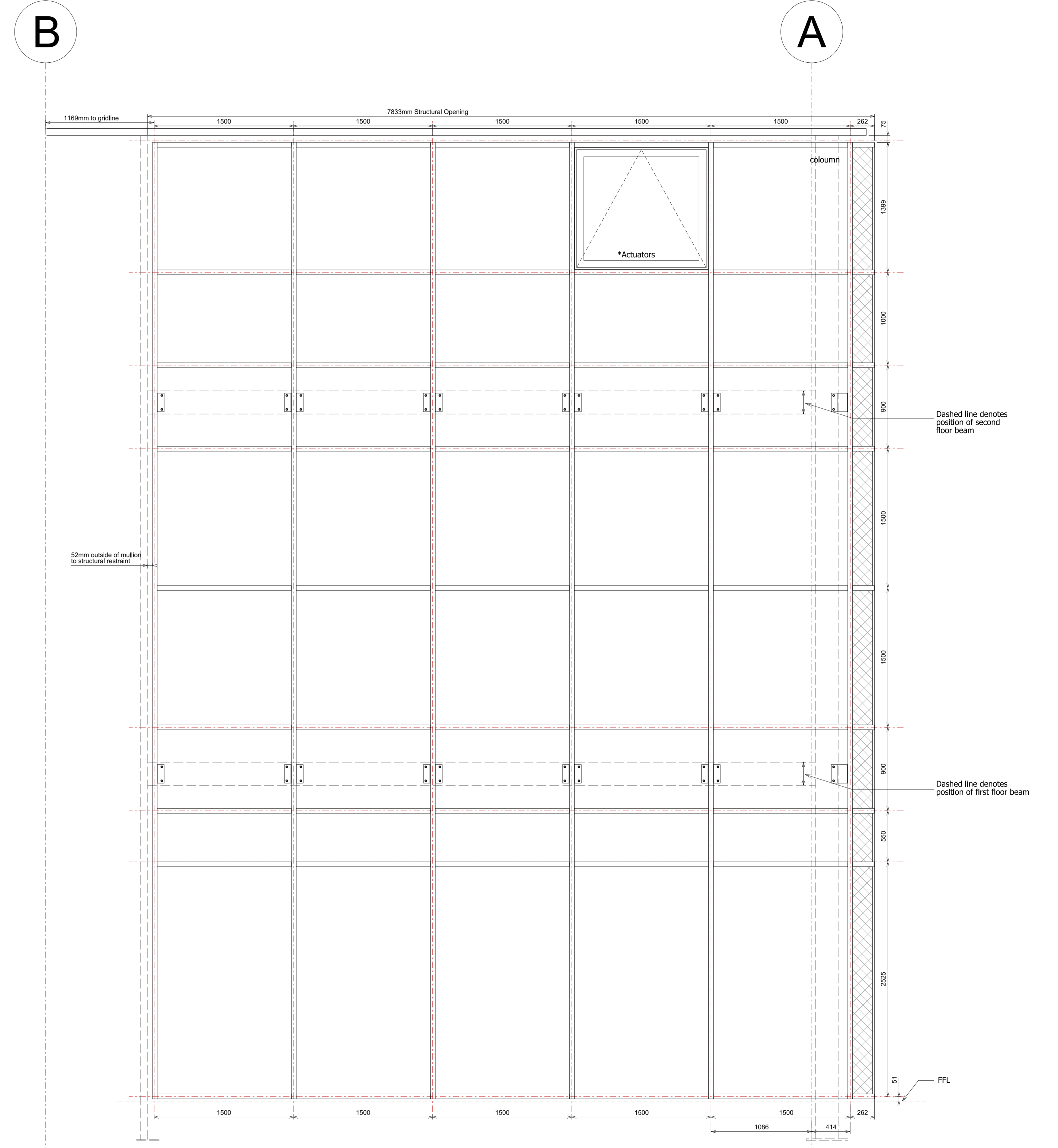
Letter plate as spec



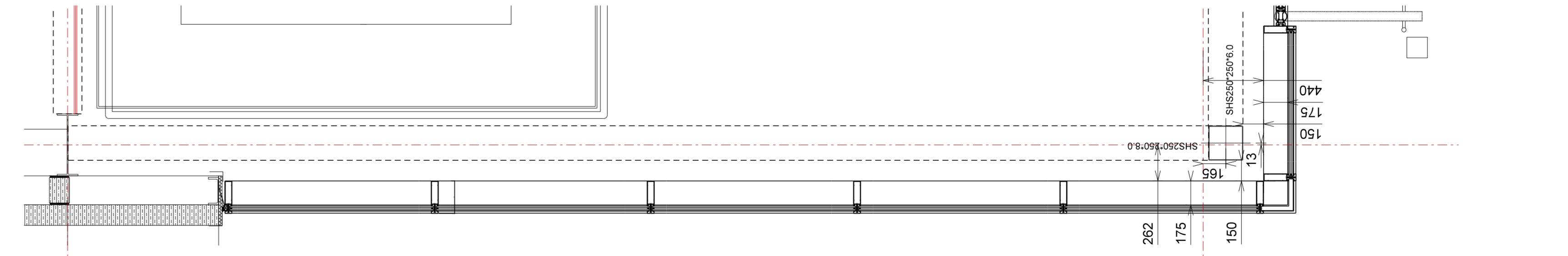
01 UNIT 1A WINDOWS
1502 Curtain wall elevation



04 UNIT 1A WINDOWS
1502 Plan



02 UNIT 1A WINDOWS
1502 Curtain wall elevation



05 UNIT 1A WINDOWS
1502 Plan

03 UNIT 1A WINDOWS
1502 Indicative section

Rev	Description	CHK	Date
C	Head height dropped by 25mm, drawing coordinated with ADP aluminium	SM	19.10.18
B	Revolving door elevation revised to incorporate Boon Edam revolving door requirements	SM	31.08.18
A	Issued For Construction. Window schedule updated to incorporate ADP details = Boon Edam Revolving door	SM	23.08.18

Peer House
 8-14 Venulam Street
 London WC1X 8LZ
 tel +44(0)20 7400 2120
 enquiries@cornisharchitects.com
 www.cornisharchitects.com

Project **PLOT 1A LINK 9 SKIMMINGDISH LANE BICESTER**

Dwg Title **UNIT 1A WINDOW SCHEDULE 01**

Status **FOR CONSTRUCTION**

Scale 1:25 @ A0 Date 18/04/2018

Dwg No 17007 / WD / 1502 Rev C