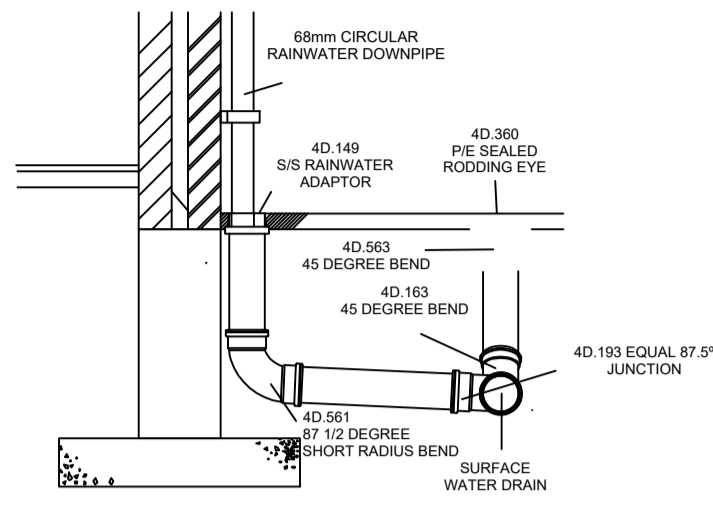
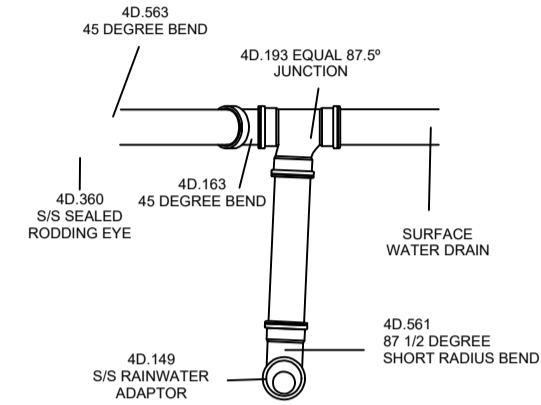


SECTION

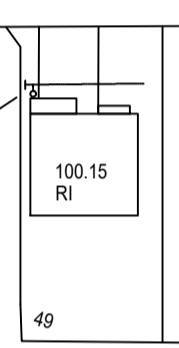


PLAN VIEW



TYPICAL DRAINAGE LAYOUT

STANDARD DRAINAGE LAYOUT DRAWING SYMBOLS FOR DETAIL 12 - HEAD OF SW DRAIN

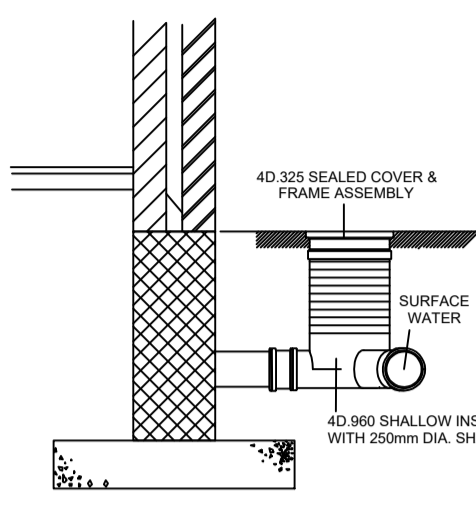


HEAD OF SW DRAIN

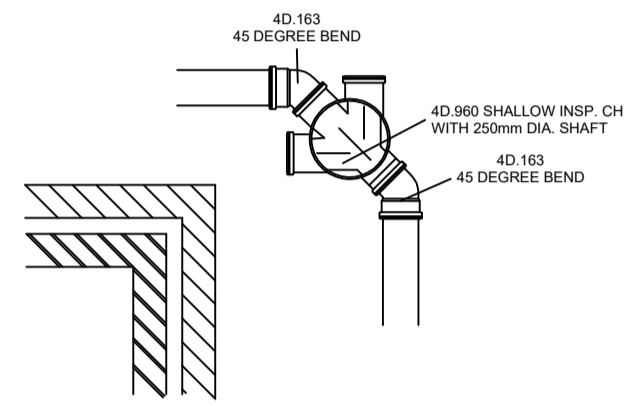
NOTES

UNDER NO CIRCUMSTANCES SHOULD ANY EXTRA FITTINGS BE USED FOR THIS STANDARD DETAIL OTHER THAN THOSE SHOWN ON THIS DETAILDRAWING.

SECTION

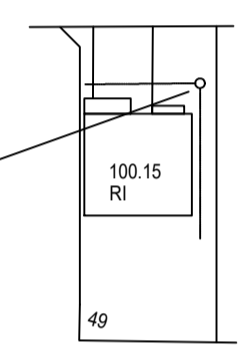


PLAN VIEW



TYPICAL DRAINAGE LAYOUT

STANDARD DRAINAGE LAYOUT DRAWING SYMBOLS FOR DETAIL 13 SHALLOW INSPECTION CHAMBER - 90deg CHANGE OF DIRECTION

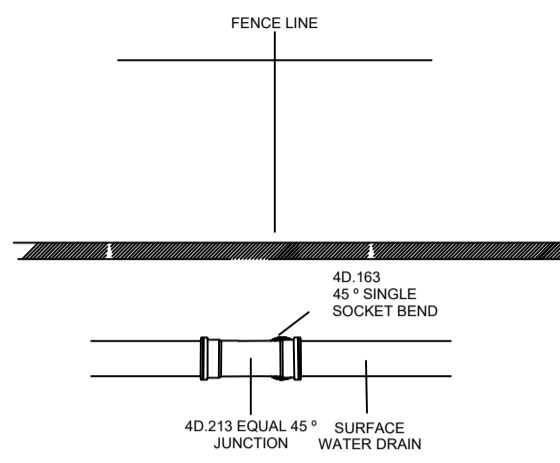


SHALLOW INSPECTION CHAMBER - 90deg CHANGE OF DIRECTION

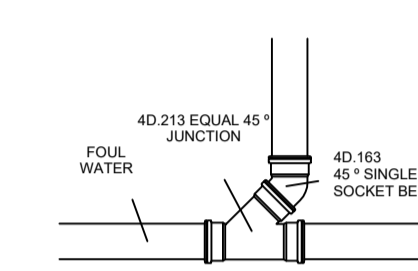
NOTES

UNDER NO CIRCUMSTANCES SHOULD ANY EXTRA FITTINGS BE USED FOR THIS STANDARD DETAIL OTHER THAN THOSE SHOWN ON THIS DETAILDRAWING.

SECTION

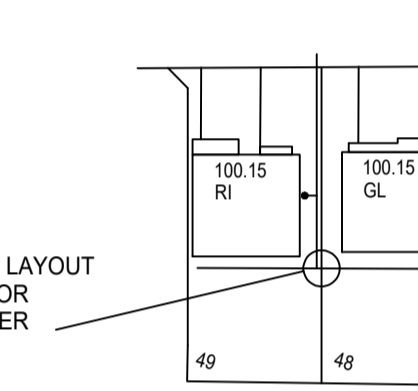


PLAN VIEW



TYPICAL DRAINAGE LAYOUT

STANDARD DRAINAGE LAYOUT DRAWING SYMBOLS FOR DETAIL 14 - FOUL WATER JUNCTION TO RUN

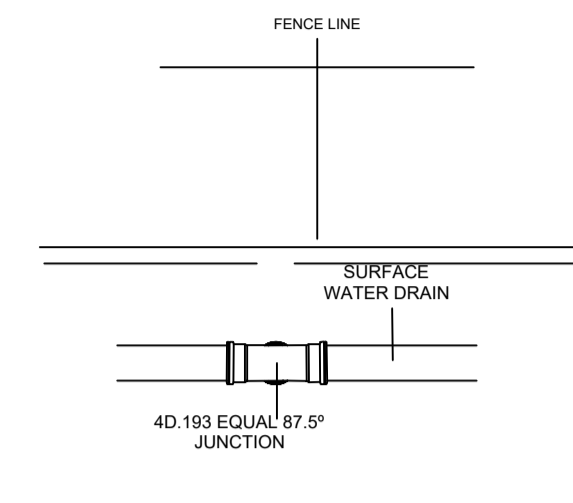


FOUL WATER JUNCTION TO RUN

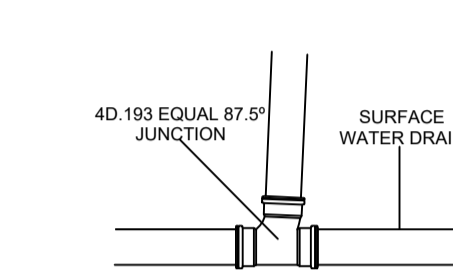
NOTES

UNDER NO CIRCUMSTANCES SHOULD ANY EXTRA FITTINGS BE USED FOR THIS STANDARD DETAIL OTHER THAN THOSE SHOWN ON THIS DETAIL DRAWING.

SECTION

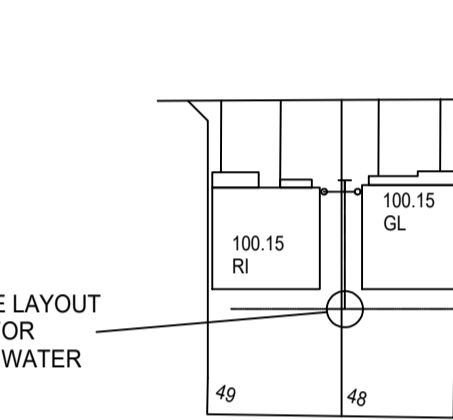


PLAN VIEW



TYPICAL DRAINAGE LAYOUT

STANDARD DRAINAGE LAYOUT DRAWING SYMBOLS FOR DETAIL 15 - SURFACE WATER JUNCTION TO RUN

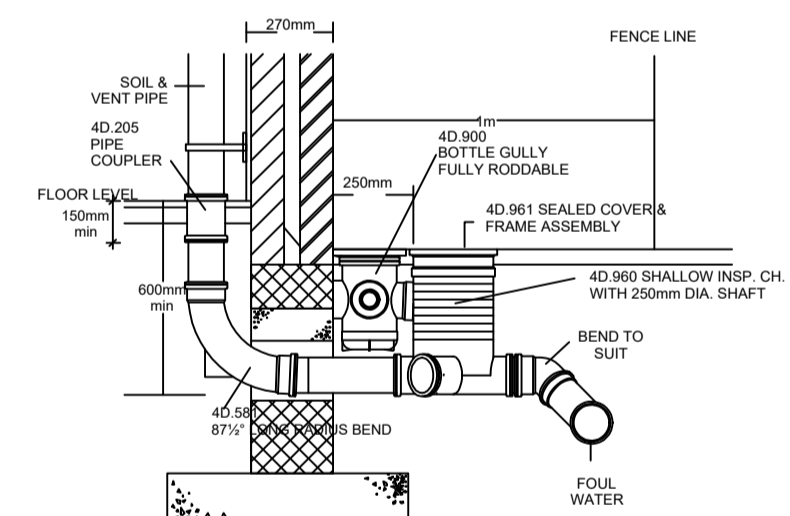


SURFACE WATER JUNCTION TO RUN

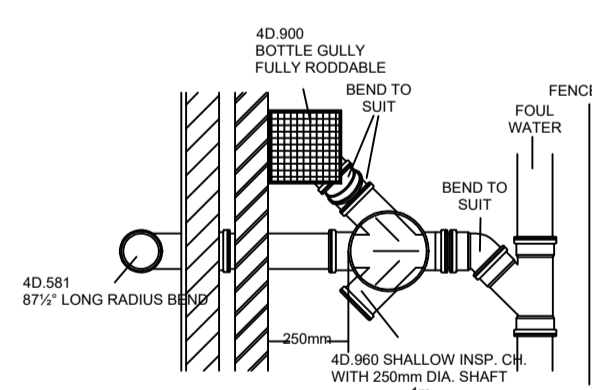
NOTES

UNDER NO CIRCUMSTANCES SHOULD ANY EXTRA FITTINGS BE USED FOR THIS STANDARD DETAIL OTHER THAN THOSE SHOWN ON THIS DETAIL DRAWING.

SECTION

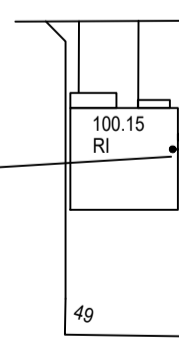


PLAN VIEW



TYPICAL DRAINAGE LAYOUT

STANDARD DRAINAGE LAYOUT DRAWING SYMBOLS FOR DETAIL 2 - SVP TO DRAIN (INTERNAL SVP)

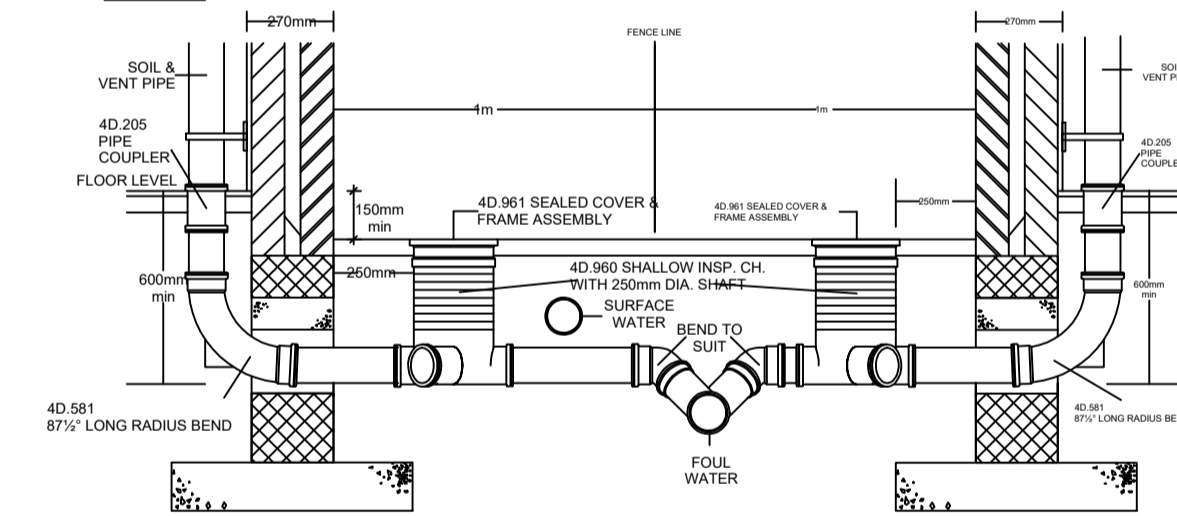


INT. S.V.P. & BIG TO DRAIN

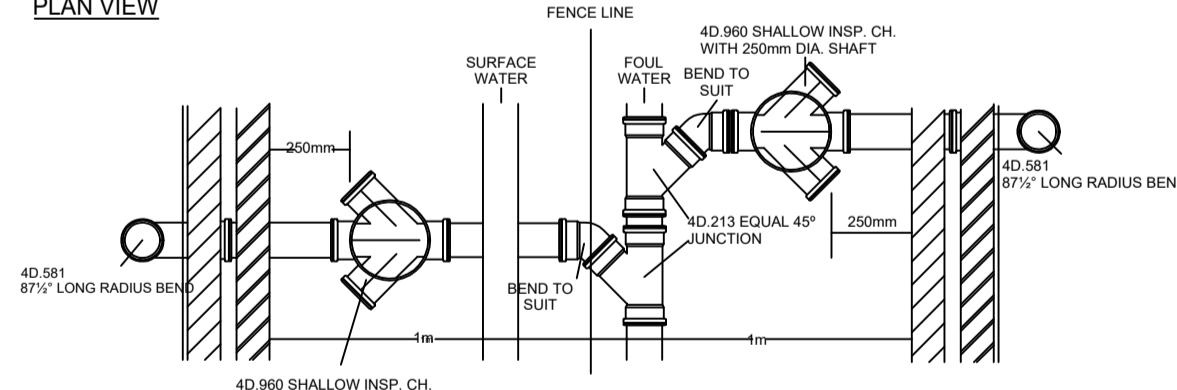
NOTES

UNDER NO CIRCUMSTANCES SHOULD ANY EXTRA FITTINGS BE USED FOR THIS STANDARD DETAIL OTHER THAN THOSE SHOWN ON THIS DETAILDRAWING.

SECTION

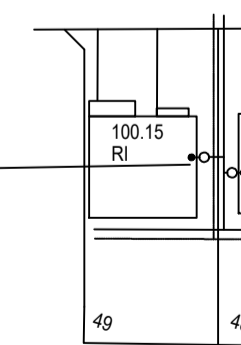


PLAN VIEW



TYPICAL DRAINAGE LAYOUT

STANDARD DRAINAGE LAYOUT DRAWING SYMBOLS FOR DETAIL 1 - SVP TO DRAIN (INTERNAL SVP)

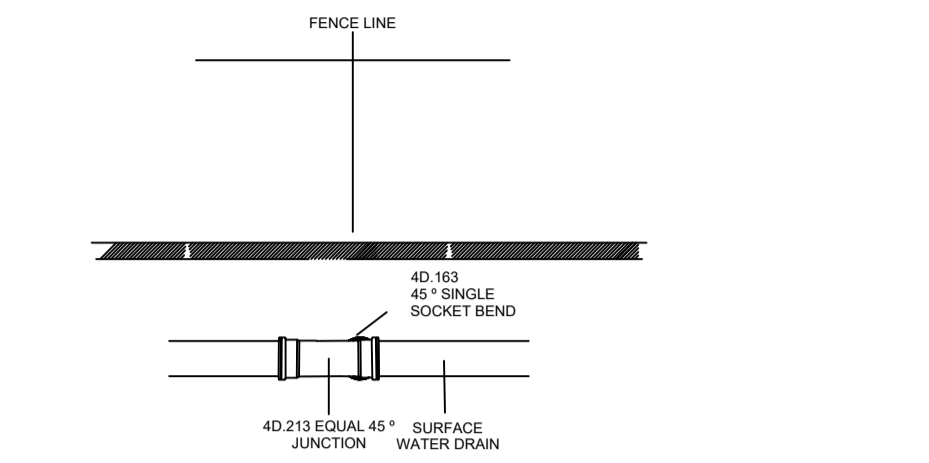


INT SVP's TO DRAIN

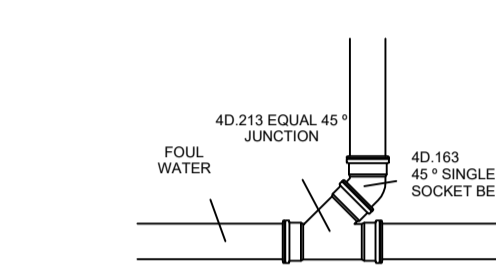
NOTES

UNDER NO CIRCUMSTANCES SHOULD ANY EXTRA FITTINGS BE USED FOR THIS STANDARD DETAIL OTHER THAN THOSE SHOWN ON THIS DETAIL DRAWING.

SECTION

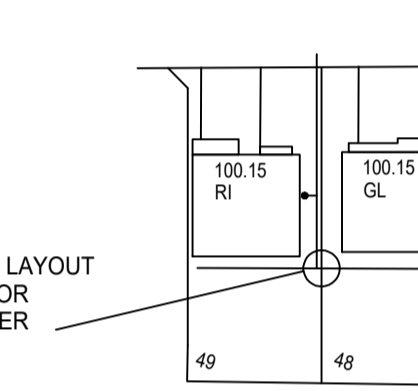


PLAN VIEW



TYPICAL DRAINAGE LAYOUT

STANDARD DRAINAGE LAYOUT DRAWING SYMBOLS FOR DETAIL 4 - B.I.G TO DRAIN

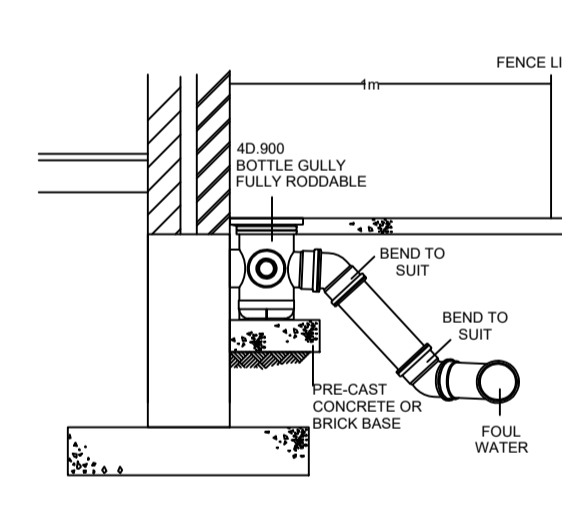


MULTIBASE INSPECTION CHAMBER

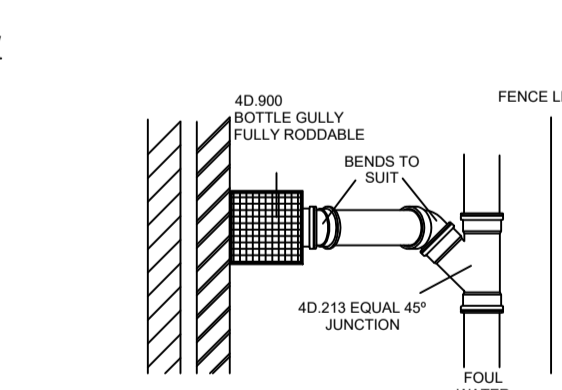
NOTES

UNDER NO CIRCUMSTANCES SHOULD ANY EXTRA FITTINGS BE USED FOR THIS STANDARD DETAIL OTHER THAN THOSE SHOWN ON THIS DETAIL DRAWING.

SECTION

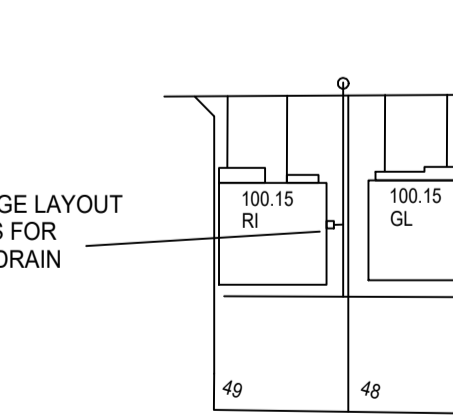


PLAN VIEW



TYPICAL DRAINAGE LAYOUT

STANDARD DRAINAGE LAYOUT DRAWING SYMBOLS FOR DETAIL 4 - B.I.G TO DRAIN



B.I.G TO DRAIN

NOTES

UNDER NO CIRCUMSTANCES SHOULD ANY EXTRA FITTINGS BE USED FOR THIS STANDARD DETAIL OTHER THAN THOSE SHOWN ON THIS DETAIL DRAWING.

The Contractor is to check and verify in conjunction with the Architects details all setting out points, building and site dimensions, levels and sewer invert levels at connection points and ensure that they are fully conversant with the contents and requirements of the site investigation report before work starts. The Contractor is to comply in all respects with current building legislation, British Standard Specifications, Building Regulations etc. whether or not specifically stated on this drawing.

This drawing is not intended to show details of ground conditions or ground contaminants. Each area of ground relied upon to support any structure depicted (including drainage) must be investigated by the Contractor any areas of formation for said structures which do not accord with the anticipated conditions as described in the site investigation report are to be immediately notified to the Engineer, where applicable. Any suspect fluid ground or ground contaminants on or within the ground should be further investigated by a suitable expert. Any earthworks shown indicate typical slopes for guidance only and should be investigated further by a suitable geotechnical expert.

Where existing trees are shown to be retained they should be subject to a full Arboricultural inspection for safety. All trees are to be planted so as to ensure they are a minimum of 5 metres from buildings and 3 metres from drains and services, where applicable. A foundation is to be provided to accommodate the proposed tree planting, where applicable.

© This drawing and the building works depicted are the copyright of Banners Gate Ltd and may not be reproduced or amended except by written permission. No liability will be accepted for amendments made by other persons.

GENERAL NOTES

1. This drawing is to be read in conjunction with relevant architectural and engineering drawings.
2. Levels of the existing road at the point of tie-in with proposed site road must be checked prior to commencement of works.
3. Any discrepancies between the details shown and actual on site conditions to be reported immediately to the engineer prior to commencement of works.



FOR CONSTRUCTION

Subject to Section 38 & 104 approval

Rev.	Description	Date	By
A	Drawing status changed to 'For Construction'	26/08/15	CB
-	Final Issue	15/07/15	JB



Project
Cotefield Farm Bodicote

Title
Private Drainage Construction Details Sheet 1 of 3

BANNERS GATE
CIVIL, STRUCTURAL & ARCHITECTURAL DESIGN SERVICES
10-11 Birmingham Street, Halesowen, West Midlands B63 3HN
Tel: 0121 687 1500 Fax: 0121 687 1501
E-mail: mail@bannersgate.com

Scale	NTS @ A1	Drawn	DA
Date	July 2015	Checked	JB
File	15031/dwgs/civils	Drawing	15031-312 A