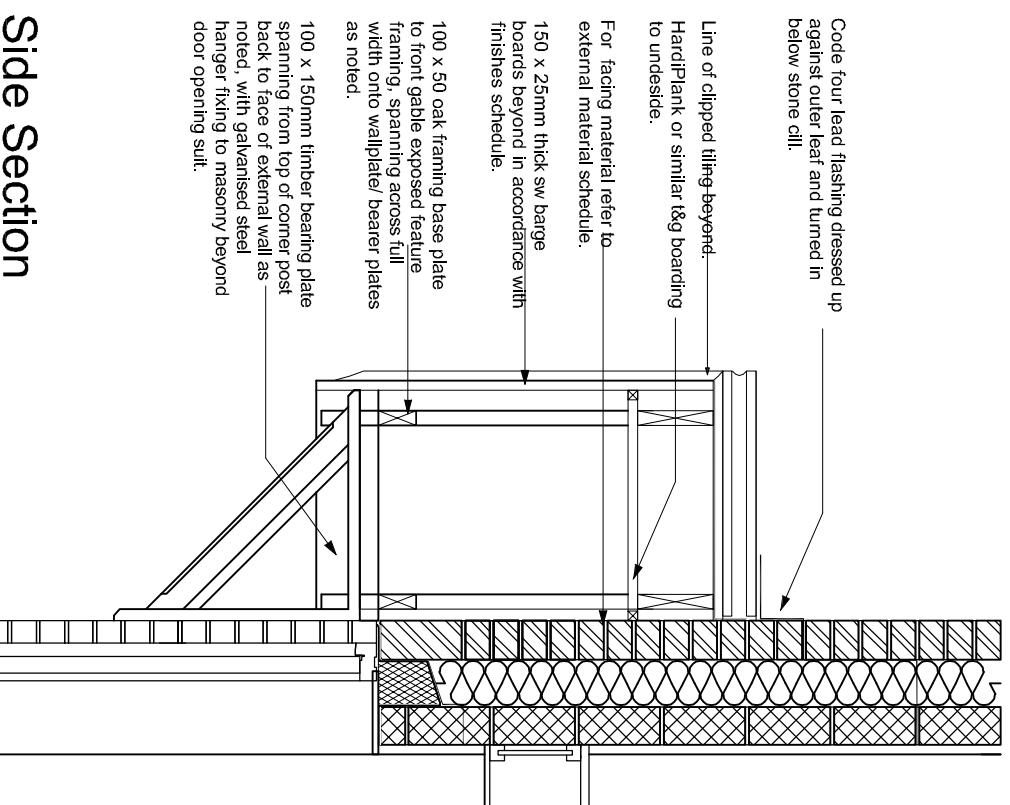
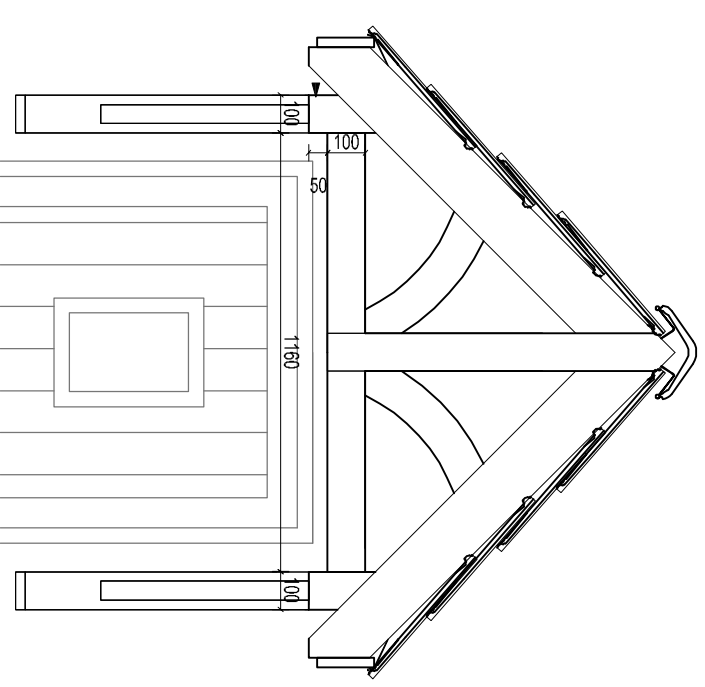


Front Section
(Scale 1:10)



Side Section
(Scale 1:10)



Front Elevation
(Scale 1:10)

- PORCH RELEVANT TO:-**
- * RADLEY
 - * HARTLEY
 - * LANGFORD
 - * BROADWELL
 - * WALBERSWICK
 - * AH3B
 - * AH2B
 - * DOVEDALE

C1 Construction Issue

18/10/2016 JOA

Rev Description Date Initial



Crest Nicholson Ltd.
Crest House
Pyroft Road
Chertsey
Surrey
KT16 9GN
Tel: 01932 580 555
Fax: 08703 363 990
www.crestnicholson.com

Site/House Type: Crest Standard Details

Dwg Title: Front Entrance & Pitched Canopy Details -
45 degree roof pitch

Scale: 1:10@A3 Date: Jan 2018 Drawn: WGH Checked: CB

CAD Ref: - NHBC Approval Ref: -

Drawing No: CNSD/2013/107-3 Revision: **