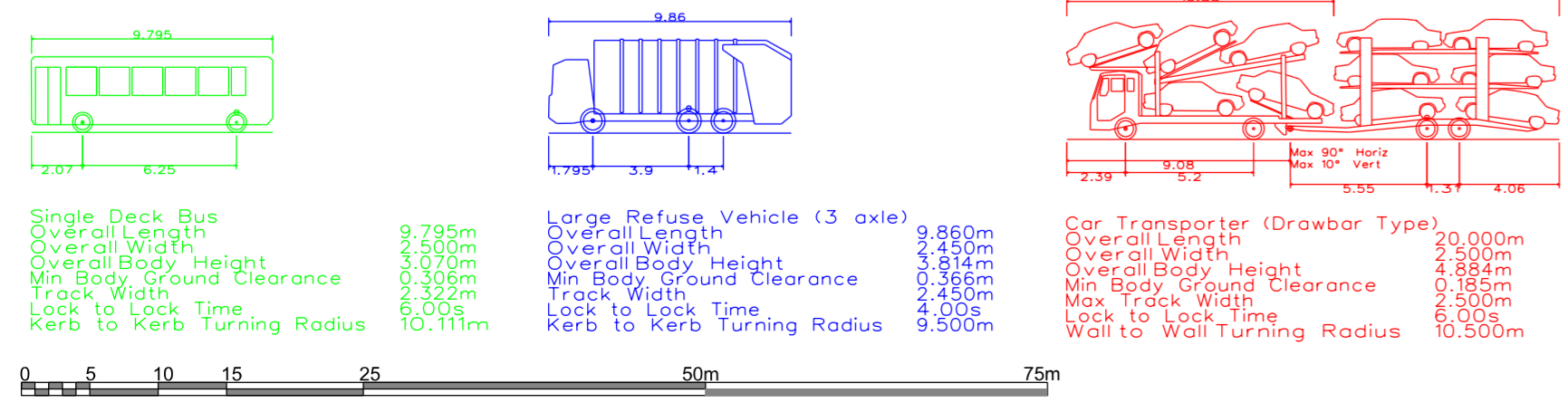
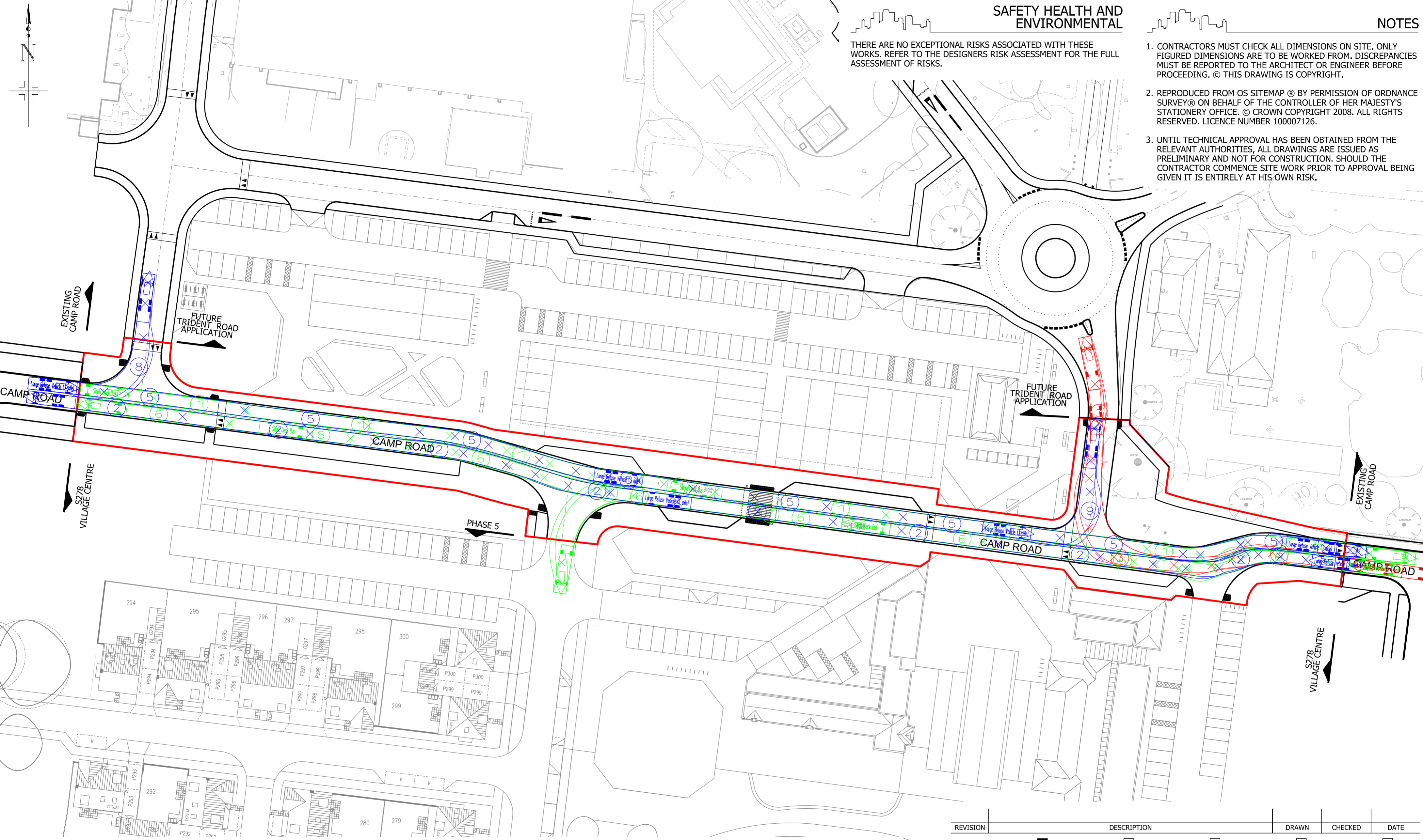


THERE ARE NO EXCEPTIONAL RISKS ASSOCIATED WITH THESE WORKS. REFER TO THE DESIGNERS RISK ASSESSMENT FOR THE FULL ASSESSMENT OF RISKS.

1. CONTRACTORS MUST CHECK ALL DIMENSIONS ON SITE. ONLY FIGURED DIMENSIONS ARE TO BE WORKED FROM. DISCREPANCIES MUST BE REPORTED TO THE ARCHITECT OR ENGINEER BEFORE PROCEEDING. © THIS DRAWING IS COPYRIGHT.
2. REPRODUCED FROM OS SITEMAP ® BY PERMISSION OF ORDNANCE SURVEY® ON BEHALF OF THE CONTROLLER OF HER MAJESTY'S STATIONERY OFFICE. © CROWN COPYRIGHT 2008. ALL RIGHTS RESERVED. LICENCE NUMBER 100007126.
3. UNTIL TECHNICAL APPROVAL HAS BEEN OBTAINED FROM THE RELEVANT AUTHORITIES, ALL DRAWINGS ARE ISSUED AS PRELIMINARY AND NOT FOR CONSTRUCTION. SHOULD THE CONTRACTOR COMMENCE SITE WORK PRIOR TO APPROVAL BEING GIVEN IT IS ENTIRELY AT HIS OWN RISK.



REVISION	DESCRIPTION	DRAWN	CHECKED	DATE
PRELIMINARY	INFORMATION	TENDER	CONSTRUCTION	AS BUILT

WOODS HARDWICK
ARCHITECTS, ENGINEERS AND DEVELOPMENT CONSULTANTS

15-17 GOLDINGTON ROAD
BEDFORD, MK40 3NH
T. +44 (0)1234 268862
FORT DUNLOP, FORT PARKWAY
BIRMINGHAM, B24 9FE
UNITED KINGDOM
T. +44 (0)121 6297700
MAIL@WOODSHARDWICK.COM
WWW.WOODSHARDWICK.COM

TITLE **CAMP ROAD UPPER HEYFORD**

DETAILS **VILLAGE CENTRE - S278 TRACKING**

SCALE: 1:500 @ A2 DATE: FEB 2017 DRAWN: CG CHK: AT

HEYF-5-237

Please consider the environment before printing this drawing
Filepath: F:\Engineer