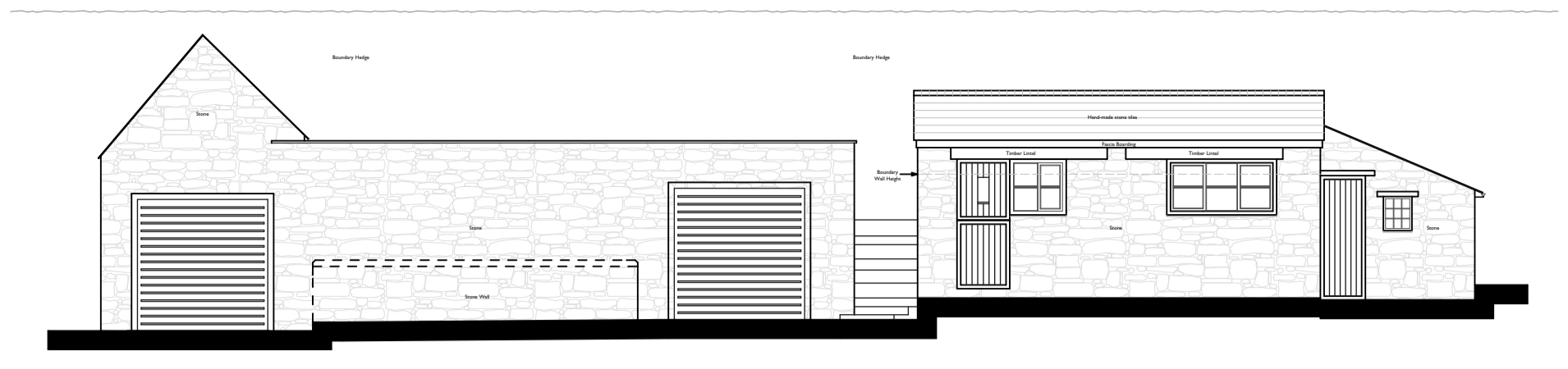
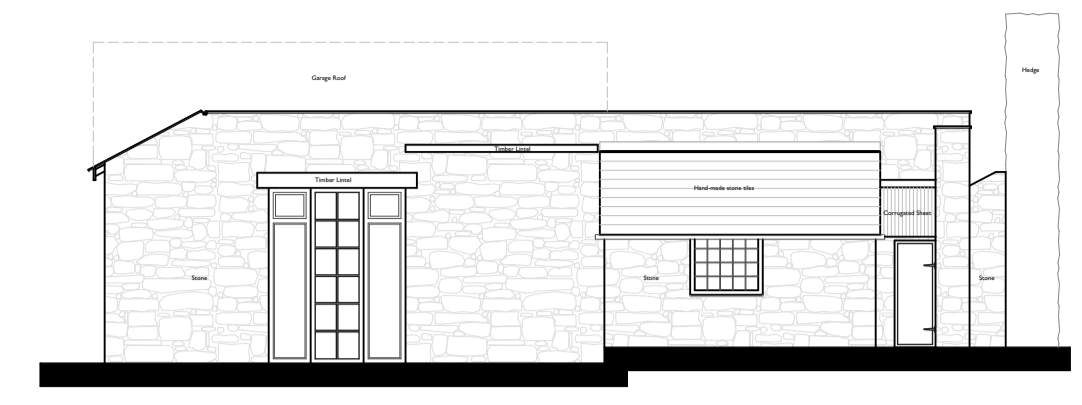


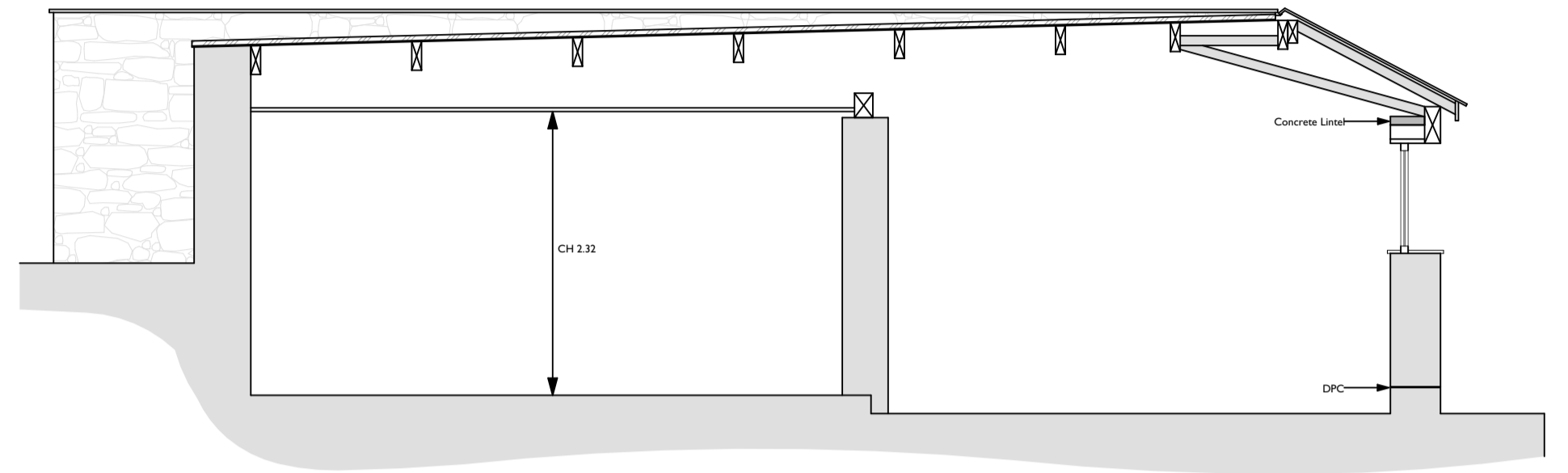
Section 2 1:50



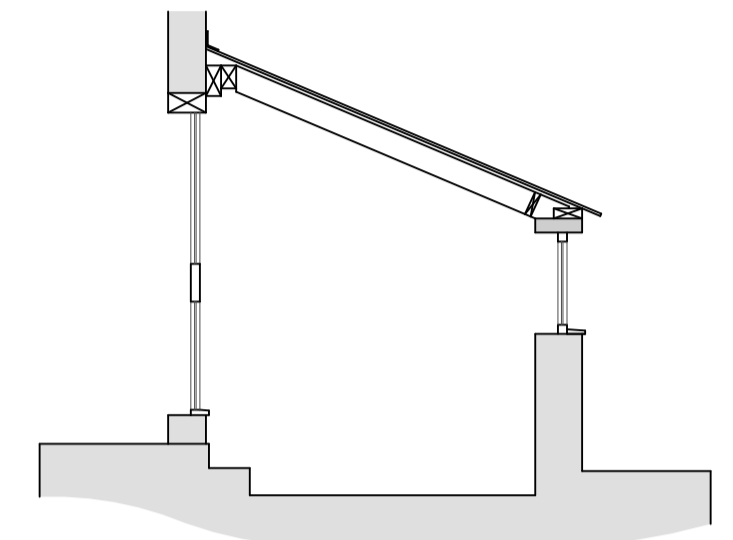
South Elevation 1:100



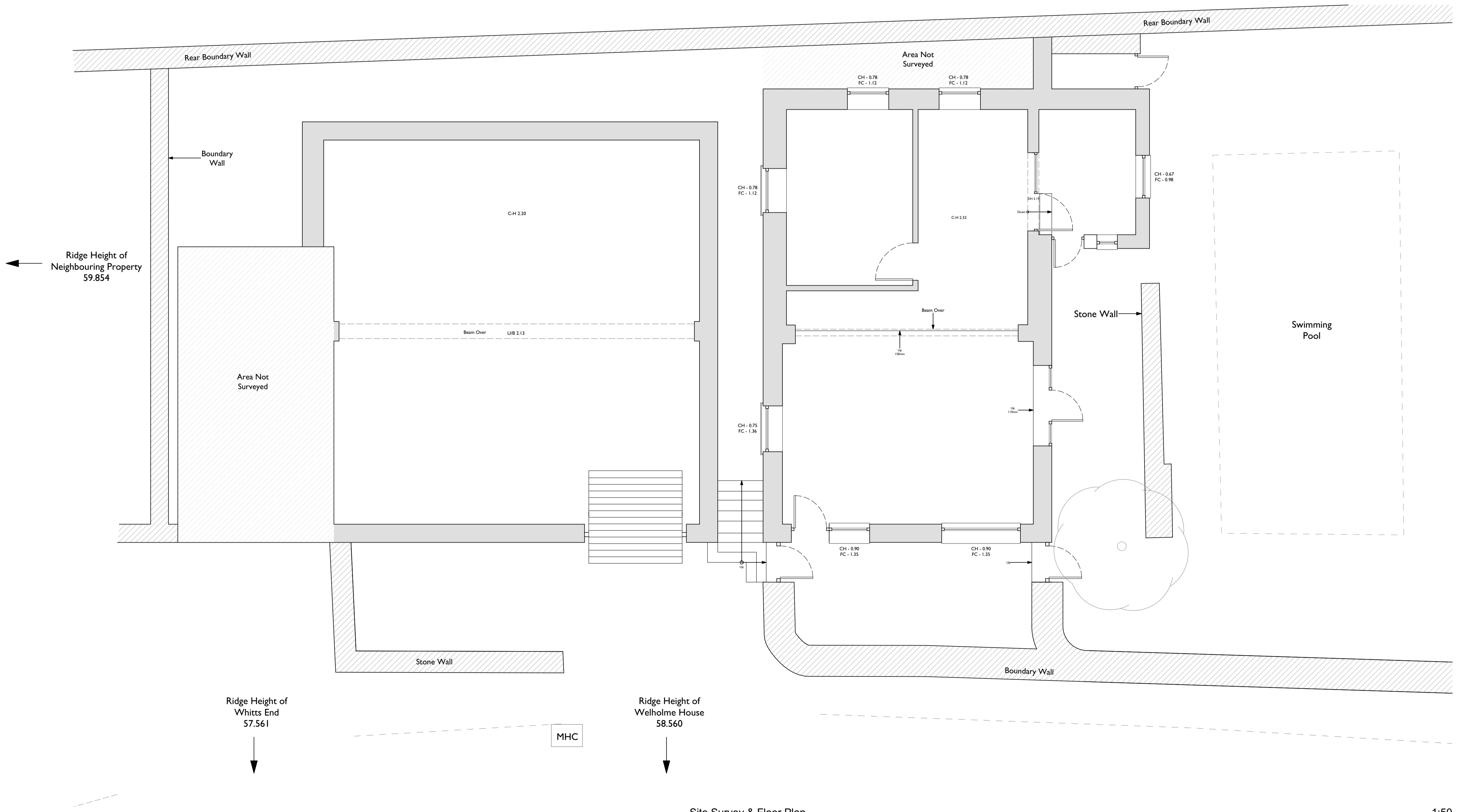
East Elevation 1:100



Section 01 1:50



Section 3 1:50



Site Survey & Floor Plan 1:50