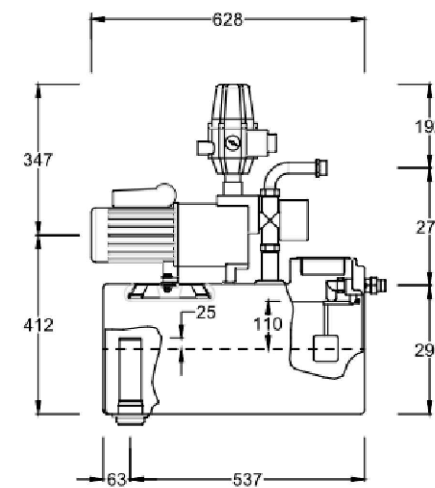
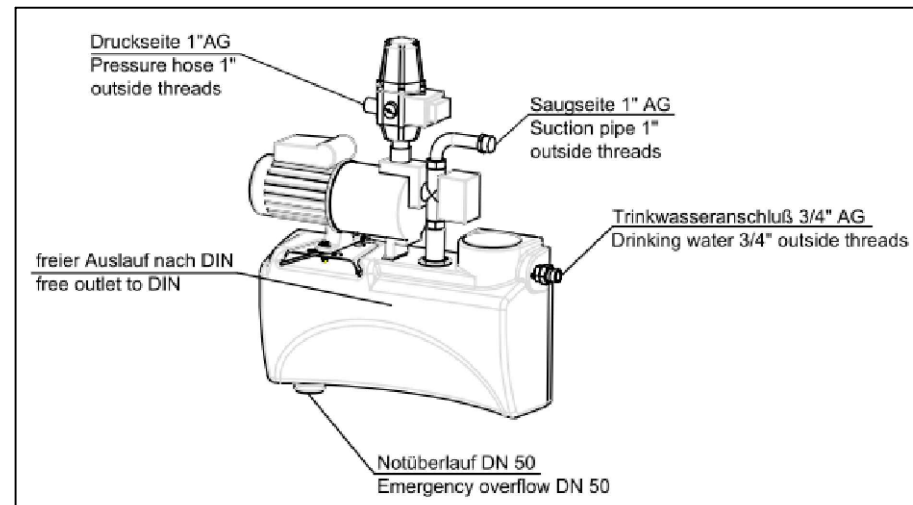


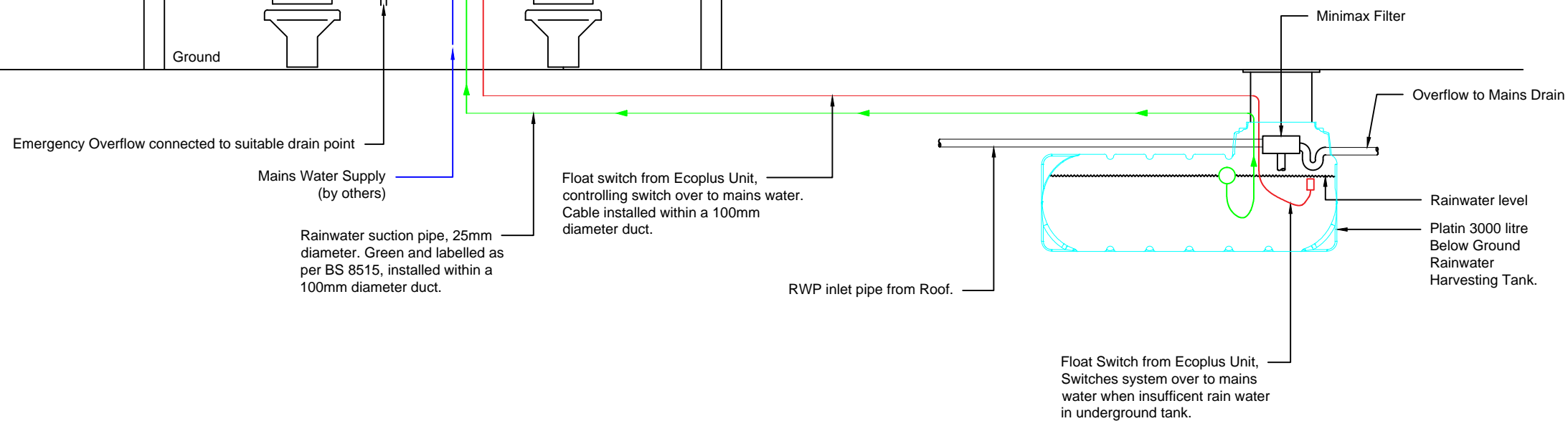
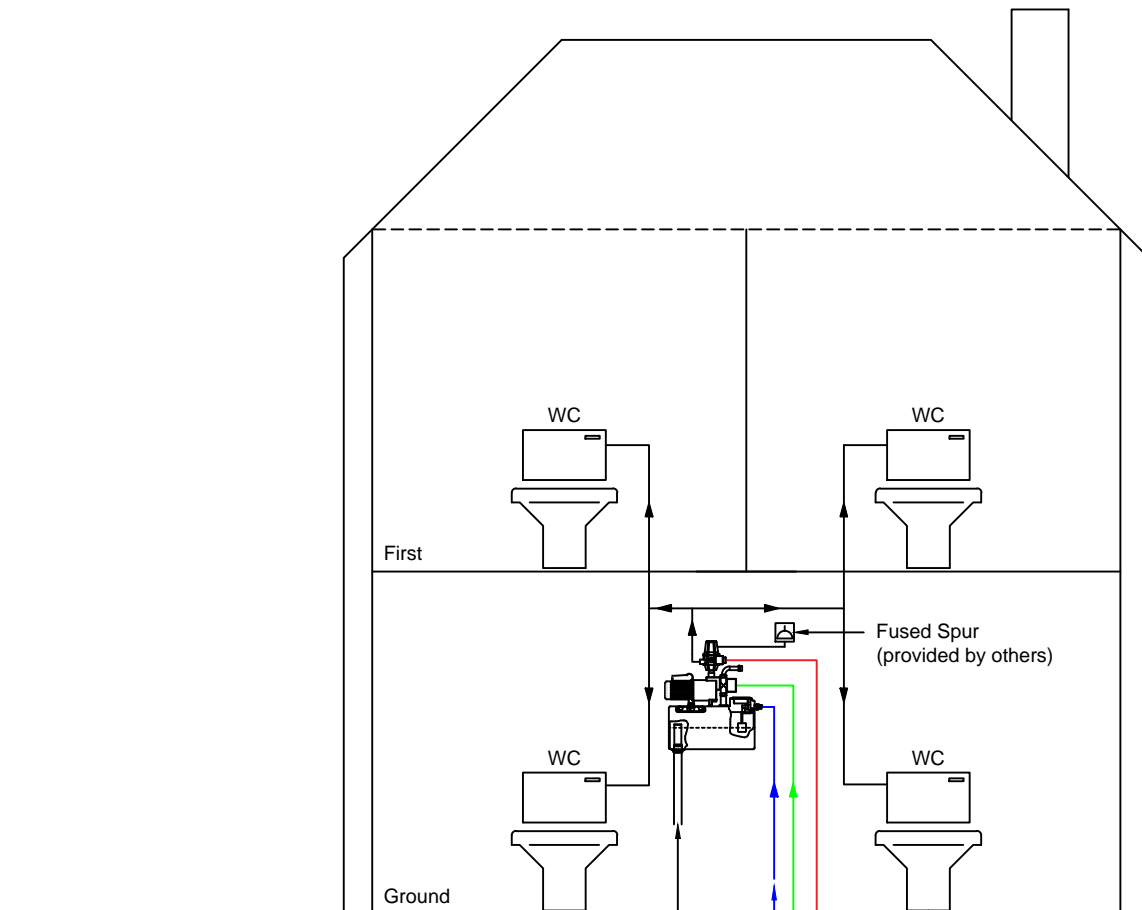
THIS DOCUMENT IS SUPPLIED IN STRICT CONFIDENCE AND MUST NOT BE LENT, REPRODUCED OR DISCLOSED TO ANY THIRD PARTY WITHOUT THE WRITTEN CONSENT OF GRAF UK LTD LIMITED

**DO NOT SCALE - IF IN DOUBT ASK**

NOTES:-



**EcoPlus System**



P1	FOR CONSTRUCTION	MC	19.04.16
P0	FOR APPROVAL	MC	11.03.16
REV.	DESCRIPTION	BY	DATE

ISSUE  
**FOR CONSTRUCTION**

**GRAF** GRAF UK Limited  
 GRAF UK Limited, Target House, Thorpe Way Industrial Estate, Banbury, Oxfordshire, OX16 4SP  
 T: 01608 661500 F: 01295 211333  
 E: info@grafuk.co.uk www.grafuk.co.uk

DRAWN:	MC	DATE:	11.03.16
CHECKED:	MR	SCALE:	NTS@A3

PROJECT  
**Rainwater Harvesting Schematic For Bicester Eco Town**

DESCRIPTION  
**RWH for FLATS**

DRAWING No.	REV.
<b>Bicester Eco Village - Flats</b>	<b>P1</b>