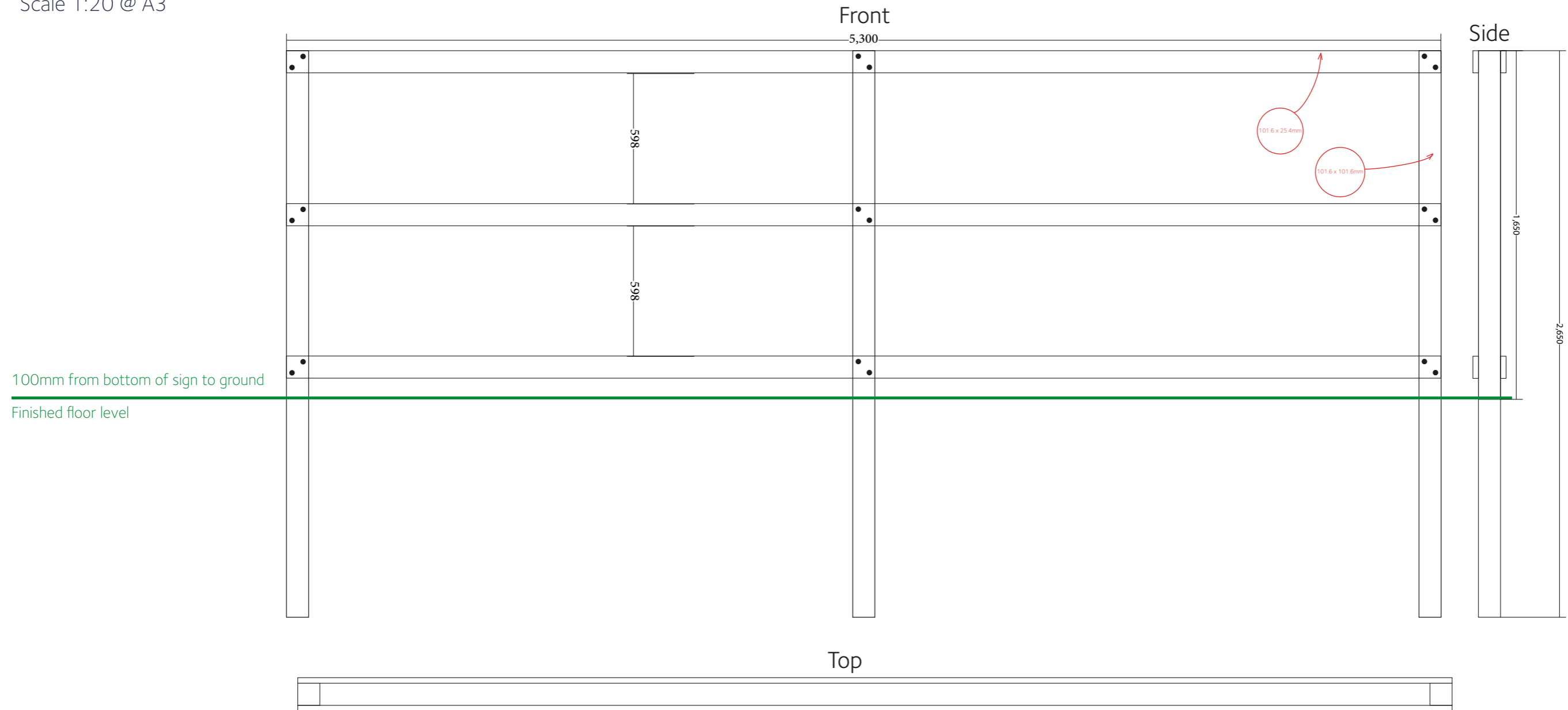


## Proposed Signage Details

ITEMS B & C - Non illuminated display boards

Scale 1:20 @ A3



**Client:** A2 Dominion Developments Limited

**Job Title:** Elmsbrook

**Job Number:** EB96422

**Drawn by:** Alex

**Filename:** 96422\_Elmsbrook Planning

**Date:** 05/05/2017

**Drawing No:** 96422\_ELM\_4 v1

**Print Size:** 5300x1500mm

**Bleed Size:** N/A

**Printer:** T.B.C.

**Material:** Cut vinyl

**Seal:** N/A

**Substrate:** Cedar clad tray

**Quantity:** 2no

# octink

All structures are constructed to high standards and in accordance with good industry practice. In signing this artwork off as 'approved', the buyer acknowledges that the structures will be manufactured and erected in accordance with the specification and to standards outlined on this drawing. The buyer also acknowledges that (unless specifically stated) the structures are not intended to be permanent and that the agreed specification and standards do not accord with applicable standards published by the British Standards Institution.