



- KEY** BS 5837:2012 Categories
- Tree Category A - High Quality
  - A Category - Hedgerow, Group, Woodland
  - Tree Category B - Moderate Quality
  - B Category - Hedgerow, Group, Woodland
  - Tree Category C - Low Quality
  - C Category - Hedgerow, Group, Woodland
  - Tree Category U - Unsuitable for Retention
  - Root Protection Area to BS 5837:2012
  - Shrub Mass / Offsite Tree
  - Tree / Hedgerow to be Removed

Note: The original of this drawing was produced in colour - a monochrome copy should not be relied upon.

Revisions:  
First Issue- 07/04/2016 AD

### Tree Retention/Removal Plan - Phase 8 Heyford Park

Client: Dorchester Group  
 DRWG No: **D.0341\_95** Sheet No: REV:   
 Drawn by: AD Approved by: MR  
 Date: 07/04/2016  
 Scale: 1:500 @ A1



## **APPENDIX 5**

### **ARBORICULTURAL IMPACT ASSESSMENT SCHEDULE**

## Arboricultural Impact Schedule

Site: Phase 8 Heyford

Ref D.0341

Number on plan	Species	Quality	Arboricultural effects (direct and indirect) of proposed design - description	Unadjusted scale of effect	Unadjusted significance of effect (scale effects x quality)	Recommended mitigation	Adjusted scale of effect following mitigation	Adjusted significance of effect (adj .scale effects x quality)	Tree removal required
G124	Birch (Silver)	C2	• General above and below ground impacts associated with demolition operations and construction site activities: root damage, soil compaction, contact with branches and trunk	Medium	Minor	• Use of tree protection barriers in accordance with the Tree Protection Plans (demolition and construction phases) and installed in accordance with an approved arboricultural method statement	Low	Insignificant	Retain
G125	Birch (Silver)	C2	• General above and below ground impacts associated with demolition operations and construction site activities: root damage, soil compaction, contact with branches and trunk	Medium	Minor	• Use of tree protection barriers in accordance with the Tree Protection Plans (demolition and construction phases) and installed in accordance with an approved arboricultural method statement	Low	Insignificant	Retain
T451	Cypress (Lawson)	B1	• General above and below ground impacts associated with demolition operations and construction site activities: root damage, soil compaction, contact with branches and trunk • Root damage associated with path construction within RPA	High	Major	• Use of tree protection barriers in accordance with the Tree Protection Plans (demolition and construction phases) and installed in accordance with an approved arboricultural method statement • Use of proprietary cellular confinement load distributing surface, installed in accordance with an approved arboricultural method statement	Low	Minor	Retain
G452	Whitebeam	C2	Remove to enable proposed development	High	Moderate	Replanting as part of wider mitigation for the site	Medium	Minor	Remove
T453	Birch (Silver)	C1	Remove to enable proposed development	High	Moderate	Replanting as part of wider mitigation for the site	Medium	Minor	Remove
T454	Birch (Silver)	B1	Remove to enable proposed development	High	Major	Replanting as part of wider mitigation for the site	Medium	Moderate	Remove
T455	Hawthorn	C1	Remove to enable proposed development	High	Moderate	Replanting as part of wider mitigation for the site	Medium	Minor	Remove
T456	Hawthorn (Midland)	C1	Remove to enable proposed development	High	Moderate	Replanting as part of wider mitigation for the site	Medium	Minor	Remove
T457	Hawthorn	C1	Remove to enable proposed development	High	Moderate	Replanting as part of wider mitigation for the site	Medium	Minor	Remove
G458	Cherry (Bird)	C1	Remove to enable proposed development	High	Moderate	Replanting as part of wider mitigation for the site	Medium	Minor	Remove
T459	Sycamore	B1	Remove to enable proposed development	High	Major	Replanting as part of wider mitigation for the site	Medium	Moderate	Remove
T460	Cherry (Wild)	B1	Remove to enable proposed development	High	Major	Replanting as part of wider mitigation for the site	Medium	Moderate	Remove
T461	Cherry (Wild)	C1	• General above and below ground impacts associated with demolition operations and construction site activities: root damage, soil compaction, contact with branches and trunk	Medium	Minor	• Use of tree protection barriers in accordance with the Tree Protection Plans (demolition and construction phases) and installed in accordance with an approved arboricultural method statement	Low	Insignificant	Retain
T462	Birch (Silver)	B1	Remove to enable proposed development	High	Major	Replanting as part of wider mitigation for the site	Medium	Moderate	Remove
T463	Whitebeam	B1	• General above and below ground impacts associated with demolition operations and construction site activities: root damage, soil compaction, contact with branches and trunk • Construction of building upto north-eastern periphery of crown shall require facilitation pruning to enable space for scaffolding. • Root damage associated with path construction within RPA	High	Major	• Use of tree protection barriers in accordance with the Tree Protection Plans (demolition and construction phases) and installed in accordance with an approved arboricultural method statement • Extent of pruning works to be specified on site by an arboriculturist following setting out • Carry out tree pruning works in accordance with the principles of BS3889:2010. • Use of proprietary cellular confinement load distributing surface, installed in accordance with an approved arboricultural method statement	Medium	Moderate	Retain
T464	Hawthorn	C1	Remove to enable proposed development	High	Moderate	Replanting as part of wider mitigation for the site	Medium	Minor	Remove

## Arboricultural Impact Schedule

Site: Phase 8 Heyford

Ref D.0341

Number on plan	Species	Quality	Arboricultural effects (direct and indirect) of proposed design - description	Unadjusted scale of effect	Unadjusted significance of effect (scale effects x quality)	Recommended mitigation	Adjusted scale of effect following mitigation	Adjusted significance of effect (adj .scale effects x quality)	Tree removal required
G465	Whitebeam	B2	<ul style="list-style-type: none"> <li>General above and below ground impacts associated with demolition operations and construction site activities: root damage, soil compaction, contact with branches and trunk</li> <li>Root damage associated with path construction within RPA</li> </ul>	High	Major	<ul style="list-style-type: none"> <li>Use of tree protection barriers in accordance with the Tree Protection Plans (demolition and construction phases) and installed in accordance with an approved arboricultural method statement</li> <li>Use of proprietary cellular confinement load distributing surface, installed in accordance with an approved arboricultural method statement</li> </ul>	Low	Minor	Retain
G466	Hawthorn	C2	Remove to enable proposed development	High	Moderate	Replanting as part of wider mitigation for the site	Medium	Minor	Remove
T467	Birch (Silver)	B1	<ul style="list-style-type: none"> <li>General above and below ground impacts associated with demolition operations and construction site activities: root damage, soil compaction, contact with branches and trunk</li> </ul>	Medium	Moderate	<ul style="list-style-type: none"> <li>Use of tree protection barriers in accordance with the Tree Protection Plans (demolition and construction phases) and installed in accordance with an approved arboricultural method statement</li> </ul>	Low	Minor	Retain
T468	Whitebeam	C1	<ul style="list-style-type: none"> <li>General above and below ground impacts associated with demolition operations and construction site activities: root damage, soil compaction, contact with branches and trunk</li> </ul>	Medium	Minor	<ul style="list-style-type: none"> <li>Use of tree protection barriers in accordance with the Tree Protection Plans (demolition and construction phases) and installed in accordance with an approved arboricultural method statement</li> </ul>	Low	Insignificant	Retain
G469	Whitebeam	C2	<ul style="list-style-type: none"> <li>General above and below ground impacts associated with demolition operations and construction site activities: root damage, soil compaction, contact with branches and trunk</li> </ul>	Medium	Minor	<ul style="list-style-type: none"> <li>Use of tree protection barriers in accordance with the Tree Protection Plans (demolition and construction phases) and installed in accordance with an approved arboricultural method statement</li> </ul>	Low	Insignificant	Retain
T470	Sycamore	B1	<ul style="list-style-type: none"> <li>General above and below ground impacts associated with demolition operations and construction site activities: root damage, soil compaction, contact with branches and trunk</li> </ul>	Medium	Moderate	<ul style="list-style-type: none"> <li>Use of tree protection barriers in accordance with the Tree Protection Plans (demolition and construction phases) and installed in accordance with an approved arboricultural method statement</li> </ul>	Low	Minor	Retain
T471	Beech (Common)	A1	<ul style="list-style-type: none"> <li>General above and below ground impacts associated with demolition operations and construction site activities: root damage, soil compaction, contact with branches and trunk</li> </ul>	Medium	Major	<ul style="list-style-type: none"> <li>Use of tree protection barriers in accordance with the Tree Protection Plans (demolition and construction phases) and installed in accordance with an approved arboricultural method statement</li> </ul>	Low	Moderate	Retain
T472	Chestnut (Horse)	B1	<ul style="list-style-type: none"> <li>General above and below ground impacts associated with demolition operations and construction site activities: root damage, soil compaction, contact with branches and trunk</li> </ul>	Medium	Moderate	<ul style="list-style-type: none"> <li>Use of tree protection barriers in accordance with the Tree Protection Plans (demolition and construction phases) and installed in accordance with an approved arboricultural method statement</li> </ul>	Low	Minor	Retain
T473	Beech (purple)	A1	<ul style="list-style-type: none"> <li>General above and below ground impacts associated with demolition operations and construction site activities: root damage, soil compaction, contact with branches and trunk</li> </ul>	Medium	Major	<ul style="list-style-type: none"> <li>Use of tree protection barriers in accordance with the Tree Protection Plans (demolition and construction phases) and installed in accordance with an approved arboricultural method statement</li> </ul>	Low	Moderate	Retain
T474	Chestnut (Horse)	B1	<ul style="list-style-type: none"> <li>General above and below ground impacts associated with demolition operations and construction site activities: root damage, soil compaction, contact with branches and trunk</li> </ul>	Medium	Moderate	<ul style="list-style-type: none"> <li>Use of tree protection barriers in accordance with the Tree Protection Plans (demolition and construction phases) and installed in accordance with an approved arboricultural method statement</li> </ul>	Low	Minor	Retain

## Arboricultural Impact Schedule

Site: Phase 8 Heyford

Ref D.0341

Number on plan	Species	Quality	Arboricultural effects (direct and indirect) of proposed design - description	Unadjusted scale of effect	Unadjusted significance of effect (scale effects x quality)	Recommended mitigation	Adjusted scale of effect following mitigation	Adjusted significance of effect (adj .scale effects x quality)	Tree removal required
G475	Mixed group, hawthorn, sycamore, cherry	C2	• General above and below ground impacts associated with demolition operations and construction site activities: root damage, soil compaction, contact with branches and trunk	Medium	Minor	• Use of tree protection barriers in accordance with the Tree Protection Plans (demolition and construction phases) and installed in accordance with an approved arboricultural method statement	Low	Insignificant	Retain
T476	Hawthorn	C1	• General above and below ground impacts associated with demolition operations and construction site activities: root damage, soil compaction, contact with branches and trunk	Medium	Minor	• Use of tree protection barriers in accordance with the Tree Protection Plans (demolition and construction phases) and installed in accordance with an approved arboricultural method statement	Low	Insignificant	Retain
T477	Birch (Silver)	C1	• General above and below ground impacts associated with demolition operations and construction site activities: root damage, soil compaction, contact with branches and trunk	Medium	Minor	• Use of tree protection barriers in accordance with the Tree Protection Plans (demolition and construction phases) and installed in accordance with an approved arboricultural method statement	Low	Insignificant	Retain
T478	Chestnut (Horse)	B1	• General above and below ground impacts associated with demolition operations and construction site activities: root damage, soil compaction, contact with branches and trunk	Medium	Moderate	• Use of tree protection barriers in accordance with the Tree Protection Plans (demolition and construction phases) and installed in accordance with an approved arboricultural method statement	Low	Minor	Retain
T479	Beech (Common)	A1	• General above and below ground impacts associated with demolition operations and construction site activities: root damage, soil compaction, contact with branches and trunk	Medium	Major	• Use of tree protection barriers in accordance with the Tree Protection Plans (demolition and construction phases) and installed in accordance with an approved arboricultural method statement	Low	Moderate	Retain
T480	Sycamore	C1	• General above and below ground impacts associated with demolition operations and construction site activities: root damage, soil compaction, contact with branches and trunk	Medium	Minor	• Use of tree protection barriers in accordance with the Tree Protection Plans (demolition and construction phases) and installed in accordance with an approved arboricultural method statement	Low	Insignificant	Retain
T481	Beech (purple)	A1	• General above and below ground impacts associated with demolition operations and construction site activities: root damage, soil compaction, contact with branches and trunk	Medium	Major	• Use of tree protection barriers in accordance with the Tree Protection Plans (demolition and construction phases) and installed in accordance with an approved arboricultural method statement	Low	Moderate	Retain
T482	Chestnut (Horse)	B1	• General above and below ground impacts associated with demolition operations and construction site activities: root damage, soil compaction, contact with branches and trunk	Medium	Moderate	• Use of tree protection barriers in accordance with the Tree Protection Plans (demolition and construction phases) and installed in accordance with an approved arboricultural method statement	Low	Minor	Retain
T483	Sycamore	B1	• General above and below ground impacts associated with demolition operations and construction site activities: root damage, soil compaction, contact with branches and trunk	Medium	Moderate	• Use of tree protection barriers in accordance with the Tree Protection Plans (demolition and construction phases) and installed in accordance with an approved arboricultural method statement	Low	Minor	Retain
T484	Beech (Common)	A1	• General above and below ground impacts associated with demolition operations and construction site activities: root damage, soil compaction, contact with branches and trunk	Medium	Major	• Use of tree protection barriers in accordance with the Tree Protection Plans (demolition and construction phases) and installed in accordance with an approved arboricultural method statement	Low	Moderate	Retain

## Arboricultural Impact Schedule

Site: Phase 8 Heyford

Ref D.0341

Number on plan	Species	Quality	Arboricultural effects (direct and indirect) of proposed design - description	Unadjusted scale of effect	Unadjusted significance of effect (scale effects x quality)	Recommended mitigation	Adjusted scale of effect following mitigation	Adjusted significance of effect (adj .scale effects x quality)	Tree removal required
G485	Chestnut (Horse)	B2	• General above and below ground impacts associated with demolition operations and construction site activities: root damage, soil compaction, contact with branches and trunk	Medium	Moderate	• Use of tree protection barriers in accordance with the Tree Protection Plans (demolition and construction phases) and installed in accordance with an approved arboricultural method statement	Low	Minor	Retain
G486	Sycamore	C2	• General above and below ground impacts associated with demolition operations and construction site activities: root damage, soil compaction, contact with branches and trunk	Medium	Minor	• Use of tree protection barriers in accordance with the Tree Protection Plans (demolition and construction phases) and installed in accordance with an approved arboricultural method statement	Low	Insignificant	Retain
T487	Birch (Silver)	C1	Remove to enable proposed development	High	Moderate	Replanting as part of wider mitigation for the site	Medium	Minor	Remove
T488	Birch (Silver)	B1	• General above and below ground impacts associated with demolition operations and construction site activities: root damage, soil compaction, contact with branches and trunk	Medium	Moderate	• Use of tree protection barriers in accordance with the Tree Protection Plans (demolition and construction phases) and installed in accordance with an approved arboricultural method statement	Low	Minor	Retain
T489	Birch (Silver)	C1	• General above and below ground impacts associated with demolition operations and construction site activities: root damage, soil compaction, contact with branches and trunk	Medium	Minor	• Use of tree protection barriers in accordance with the Tree Protection Plans (demolition and construction phases) and installed in accordance with an approved arboricultural method statement	Low	Insignificant	Retain
T490	Cherry (Wild)	B1	• General above and below ground impacts associated with demolition operations and construction site activities: root damage, soil compaction, contact with branches and trunk	Medium	Moderate	• Use of tree protection barriers in accordance with the Tree Protection Plans (demolition and construction phases) and installed in accordance with an approved arboricultural method statement	Low	Minor	Retain
T491	Birch (Silver)	B1	Remove to enable proposed development	High	Major	Replanting as part of wider mitigation for the site	Medium	Moderate	Remove
T495	Apple	B1	• General above and below ground impacts associated with demolition operations and construction site activities: root damage, soil compaction, contact with branches and trunk • Root damage associated with path construction within RPA	High	Major	• Use of tree protection barriers in accordance with the Tree Protection Plans (demolition and construction phases) and installed in accordance with an approved arboricultural method statement • Use of proprietary cellular confinement load distributing surface, installed in accordance with an approved arboricultural method statement	Low	Minor	Retain
T496	Birch (Silver)	C1	Remove to enable proposed development	High	Moderate	Replanting as part of wider mitigation for the site	Medium	Minor	Remove
T497	Hawthorn	C1	Remove to enable proposed development	High	Moderate	Replanting as part of wider mitigation for the site	Medium	Minor	Remove
G498	Birch (Silver)	B2	• General above and below ground impacts associated with demolition operations and construction site activities: root damage, soil compaction, contact with branches and trunk	Medium	Moderate	• Use of tree protection barriers in accordance with the Tree Protection Plans (demolition and construction phases) and installed in accordance with an approved arboricultural method statement	Low	Minor	Retain
T499	Cherry (Wild)	C1	Remove to enable proposed development	High	Moderate	Replanting as part of wider mitigation for the site	Medium	Minor	Remove
T504	Beech (Common)	A1	Remove to enable proposed development	High	Major	Replanting as part of wider mitigation for the site	Medium	Major	Remove
G505	Pine	B2	Remove to enable proposed development	High	Major	Replanting as part of wider mitigation for the site	Medium	Moderate	Remove
G506	Sycamore	C2	Remove to enable proposed development	High	Moderate	Replanting as part of wider mitigation for the site	Medium	Minor	Remove
T518	Chestnut (Horse)	B1	Remove to enable proposed development	High	Major	Replanting as part of wider mitigation for the site	Medium	Moderate	Remove

## Arboricultural Impact Schedule

Site: Phase 8 Heyford

Ref D.0341

Number on plan	Species	Quality	Arboricultural effects (direct and indirect) of proposed design - description	Unadjusted scale of effect	Unadjusted significance of effect (scale effects x quality)	Recommended mitigation	Adjusted scale of effect following mitigation	Adjusted significance of effect (adj .scale effects x quality)	Tree removal required
T519	Hawthorn	C1	• General above and below ground impacts associated with demolition operations and construction site activities: root damage, soil compaction, contact with branches and trunk	Medium	Minor	• Use of tree protection barriers in accordance with the Tree Protection Plans (demolition and construction phases) and installed in accordance with an approved arboricultural method statement	Low	Insignificant	Retain
G526	Cypress (Lawson)	B2	Remove to enable proposed development	High	Major	Replanting as part of wider mitigation for the site	Medium	Moderate	Remove
T527	Birch (Silver)	B1	• General above and below ground impacts associated with demolition operations and construction site activities: root damage, soil compaction, contact with branches and trunk	Medium	Moderate	• Use of tree protection barriers in accordance with the Tree Protection Plans (demolition and construction phases) and installed in accordance with an approved arboricultural method statement	Low	Minor	Retain
G528	Birch (Silver)	B2	• General above and below ground impacts associated with demolition operations and construction site activities: root damage, soil compaction, contact with branches and trunk	Medium	Moderate	• Use of tree protection barriers in accordance with the Tree Protection Plans (demolition and construction phases) and installed in accordance with an approved arboricultural method statement	Low	Minor	Retain
G529	Hawthorn	C2	Remove to enable proposed development	High	Moderate	Replanting as part of wider mitigation for the site	Medium	Minor	Remove
T530	Birch (Silver)	C1	• General above and below ground impacts associated with demolition operations and construction site activities: root damage, soil compaction, contact with branches and trunk	Medium	Minor	• Use of tree protection barriers in accordance with the Tree Protection Plans (demolition and construction phases) and installed in accordance with an approved arboricultural method statement	Low	Insignificant	Retain
G531	Plum (Purple)	C2	• General above and below ground impacts associated with demolition operations and construction site activities: root damage, soil compaction, contact with branches and trunk	Medium	Minor	• Use of tree protection barriers in accordance with the Tree Protection Plans (demolition and construction phases) and installed in accordance with an approved arboricultural method statement	Low	Insignificant	Retain
T532	Birch (Silver)	C1	• General above and below ground impacts associated with demolition operations and construction site activities: root damage, soil compaction, contact with branches and trunk	Medium	Minor	• Use of tree protection barriers in accordance with the Tree Protection Plans (demolition and construction phases) and installed in accordance with an approved arboricultural method statement	Low	Insignificant	Retain
T533	Rowan	C1	Remove to enable proposed development	High	Moderate	Replanting as part of wider mitigation for the site	Medium	Minor	Remove
T534	Birch (Silver)	C1	• General above and below ground impacts associated with demolition operations and construction site activities: root damage, soil compaction, contact with branches and trunk	Medium	Minor	• Use of tree protection barriers in accordance with the Tree Protection Plans (demolition and construction phases) and installed in accordance with an approved arboricultural method statement	Low	Insignificant	Retain
T536	Hawthorn	C1	Remove to enable proposed development	High	Moderate	Replanting as part of wider mitigation for the site	Medium	Minor	Remove
T140 5	Sycamore	B1	• General above and below ground impacts associated with demolition operations and construction site activities: root damage, soil compaction, contact with branches and trunk	Medium	Moderate	• Use of tree protection barriers in accordance with the Tree Protection Plans (demolition and construction phases) and installed in accordance with an approved arboricultural method statement	Low	Minor	Retain
T140 6	Sycamore	B1	• General above and below ground impacts associated with demolition operations and construction site activities: root damage, soil compaction, contact with branches and trunk	Medium	Moderate	• Use of tree protection barriers in accordance with the Tree Protection Plans (demolition and construction phases) and installed in accordance with an approved arboricultural method statement	Low	Minor	Retain

## Arboricultural Impact Schedule

Site: Phase 8 Heyford

Ref D.0341

Number on plan	Species	Quality	Arboricultural effects (direct and indirect) of proposed design - description	Unadjusted scale of effect	Unadjusted significance of effect (scale effects x quality)	Recommended mitigation	Adjusted scale of effect following mitigation	Adjusted significance of effect (adj .scale effects x quality)	Tree removal required
T1407	Sycamore	C1	• General above and below ground impacts associated with demolition operations and construction site activities: root damage, soil compaction, contact with branches and trunk	Medium	Minor	• Use of tree protection barriers in accordance with the Tree Protection Plans (demolition and construction phases) and installed in accordance with an approved arboricultural method statement	Low	Insignificant	Retain
T1408	Sycamore	C1	• General above and below ground impacts associated with demolition operations and construction site activities: root damage, soil compaction, contact with branches and trunk	Medium	Minor	• Use of tree protection barriers in accordance with the Tree Protection Plans (demolition and construction phases) and installed in accordance with an approved arboricultural method statement	Low	Insignificant	Retain
T1409	Pine	C1	• General above and below ground impacts associated with demolition operations and construction site activities: root damage, soil compaction, contact with branches and trunk	Medium	Minor	• Use of tree protection barriers in accordance with the Tree Protection Plans (demolition and construction phases) and installed in accordance with an approved arboricultural method statement	Low	Insignificant	Retain
T1410	Beech	B1	• General above and below ground impacts associated with demolition operations and construction site activities: root damage, soil compaction, contact with branches and trunk	Medium	Moderate	• Use of tree protection barriers in accordance with the Tree Protection Plans (demolition and construction phases) and installed in accordance with an approved arboricultural method statement	Low	Minor	Retain
T1411	Pine	C1	• General above and below ground impacts associated with demolition operations and construction site activities: root damage, soil compaction, contact with branches and trunk	Medium	Minor	• Use of tree protection barriers in accordance with the Tree Protection Plans (demolition and construction phases) and installed in accordance with an approved arboricultural method statement	Low	Insignificant	Retain
T1412	Pine	C1	• General above and below ground impacts associated with demolition operations and construction site activities: root damage, soil compaction, contact with branches and trunk	Medium	Minor	• Use of tree protection barriers in accordance with the Tree Protection Plans (demolition and construction phases) and installed in accordance with an approved arboricultural method statement	Low	Insignificant	Retain
T1413	Pine	B1	• General above and below ground impacts associated with demolition operations and construction site activities: root damage, soil compaction, contact with branches and trunk	Medium	Moderate	• Use of tree protection barriers in accordance with the Tree Protection Plans (demolition and construction phases) and installed in accordance with an approved arboricultural method statement	Low	Minor	Retain
T1414	Pine	C1	• General above and below ground impacts associated with demolition operations and construction site activities: root damage, soil compaction, contact with branches and trunk	Medium	Minor	• Use of tree protection barriers in accordance with the Tree Protection Plans (demolition and construction phases) and installed in accordance with an approved arboricultural method statement	Low	Insignificant	Retain
T1415	Sycamore	B1	• General above and below ground impacts associated with demolition operations and construction site activities: root damage, soil compaction, contact with branches and trunk	Medium	Moderate	• Use of tree protection barriers in accordance with the Tree Protection Plans (demolition and construction phases) and installed in accordance with an approved arboricultural method statement	Low	Minor	Retain
T1416	Pine	C1	• General above and below ground impacts associated with demolition operations and construction site activities: root damage, soil compaction, contact with branches and trunk	Medium	Minor	• Use of tree protection barriers in accordance with the Tree Protection Plans (demolition and construction phases) and installed in accordance with an approved arboricultural method statement	Low	Insignificant	Retain



## Arboricultural Impact Schedule

Site: Phase 8 Heyford

Ref D.0341

Number on plan	Species	Quality	Arboricultural effects (direct and indirect) of proposed design - description	Unadjusted scale of effect	Unadjusted significance of effect (scale effects x quality)	Recommended mitigation	Adjusted scale of effect following mitigation	Adjusted significance of effect (adj .scale effects x quality)	Tree removal required
T1417	Pine	C1	• General above and below ground impacts associated with demolition operations and construction site activities: root damage, soil compaction, contact with branches and trunk	Medium	Minor	• Use of tree protection barriers in accordance with the Tree Protection Plans (demolition and construction phases) and installed in accordance with an approved arboricultural method statement	Low	Insignificant	Retain
T1418	Pine	C1	• General above and below ground impacts associated with demolition operations and construction site activities: root damage, soil compaction, contact with branches and trunk	Medium	Minor	• Use of tree protection barriers in accordance with the Tree Protection Plans (demolition and construction phases) and installed in accordance with an approved arboricultural method statement	Low	Insignificant	Retain
T1419	Pine	B1	• General above and below ground impacts associated with demolition operations and construction site activities: root damage, soil compaction, contact with branches and trunk	Medium	Moderate	• Use of tree protection barriers in accordance with the Tree Protection Plans (demolition and construction phases) and installed in accordance with an approved arboricultural method statement	Low	Minor	Retain
T1420	Pine	B1	• General above and below ground impacts associated with demolition operations and construction site activities: root damage, soil compaction, contact with branches and trunk	Medium	Moderate	• Use of tree protection barriers in accordance with the Tree Protection Plans (demolition and construction phases) and installed in accordance with an approved arboricultural method statement	Low	Minor	Retain
T1421	Pine	C1	• General above and below ground impacts associated with demolition operations and construction site activities: root damage, soil compaction, contact with branches and trunk	Medium	Minor	• Use of tree protection barriers in accordance with the Tree Protection Plans (demolition and construction phases) and installed in accordance with an approved arboricultural method statement	Low	Insignificant	Retain
T1422	Pine	C1	• General above and below ground impacts associated with demolition operations and construction site activities: root damage, soil compaction, contact with branches and trunk	Medium	Minor	• Use of tree protection barriers in accordance with the Tree Protection Plans (demolition and construction phases) and installed in accordance with an approved arboricultural method statement	Low	Insignificant	Retain
T1423	Sycamore	C1	• General above and below ground impacts associated with demolition operations and construction site activities: root damage, soil compaction, contact with branches and trunk	Medium	Minor	• Use of tree protection barriers in accordance with the Tree Protection Plans (demolition and construction phases) and installed in accordance with an approved arboricultural method statement	Low	Insignificant	Retain
T1424	Sycamore	B1	• General above and below ground impacts associated with demolition operations and construction site activities: root damage, soil compaction, contact with branches and trunk	Medium	Moderate	• Use of tree protection barriers in accordance with the Tree Protection Plans (demolition and construction phases) and installed in accordance with an approved arboricultural method statement	Low	Minor	Retain
T1425	Pine	C1	• General above and below ground impacts associated with demolition operations and construction site activities: root damage, soil compaction, contact with branches and trunk	Medium	Minor	• Use of tree protection barriers in accordance with the Tree Protection Plans (demolition and construction phases) and installed in accordance with an approved arboricultural method statement	Low	Insignificant	Retain
T1426	Beech	B1	• General above and below ground impacts associated with demolition operations and construction site activities: root damage, soil compaction, contact with branches and trunk	Medium	Moderate	• Use of tree protection barriers in accordance with the Tree Protection Plans (demolition and construction phases) and installed in accordance with an approved arboricultural method statement	Low	Minor	Retain

## Arboricultural Impact Schedule

Site: Phase 8 Heyford

Ref D.0341

Number on plan	Species	Quality	Arboricultural effects (direct and indirect) of proposed design - description	Unadjusted scale of effect	Unadjusted significance of effect (scale effects x quality)	Recommended mitigation	Adjusted scale of effect following mitigation	Adjusted significance of effect (adj .scale effects x quality)	Tree removal required
T1427	Pine	C1	• General above and below ground impacts associated with demolition operations and construction site activities: root damage, soil compaction, contact with branches and trunk	Medium	Minor	• Use of tree protection barriers in accordance with the Tree Protection Plans (demolition and construction phases) and installed in accordance with an approved arboricultural method statement	Low	Insignificant	Retain
T1428	Sycamore	C1	• General above and below ground impacts associated with demolition operations and construction site activities: root damage, soil compaction, contact with branches and trunk	Medium	Minor	• Use of tree protection barriers in accordance with the Tree Protection Plans (demolition and construction phases) and installed in accordance with an approved arboricultural method statement	Low	Insignificant	Retain
T1429	Sycamore	B1	• General above and below ground impacts associated with demolition operations and construction site activities: root damage, soil compaction, contact with branches and trunk	Medium	Moderate	• Use of tree protection barriers in accordance with the Tree Protection Plans (demolition and construction phases) and installed in accordance with an approved arboricultural method statement	Low	Minor	Retain
T1430	Beech	B1	• General above and below ground impacts associated with demolition operations and construction site activities: root damage, soil compaction, contact with branches and trunk	Medium	Moderate	• Use of tree protection barriers in accordance with the Tree Protection Plans (demolition and construction phases) and installed in accordance with an approved arboricultural method statement	Low	Minor	Retain
T1431	NoNorway maple	B1	• General above and below ground impacts associated with demolition operations and construction site activities: root damage, soil compaction, contact with branches and trunk • Root damage associated with path construction within RPA	High	Major	• Use of tree protection barriers in accordance with the Tree Protection Plans (demolition and construction phases) and installed in accordance with an approved arboricultural method statement • Use of proprietary cellular confinement load distributing surface, installed in accordance with an approved arboricultural method statement	Low	Minor	Retain
T1432	NoNorway maple	B1	• General above and below ground impacts associated with demolition operations and construction site activities: root damage, soil compaction, contact with branches and trunk	Medium	Moderate	• Use of tree protection barriers in accordance with the Tree Protection Plans (demolition and construction phases) and installed in accordance with an approved arboricultural method statement	Low	Minor	Retain
T1433	NoNorway maple	B1	• General above and below ground impacts associated with demolition operations and construction site activities: root damage, soil compaction, contact with branches and trunk	Medium	Moderate	• Use of tree protection barriers in accordance with the Tree Protection Plans (demolition and construction phases) and installed in accordance with an approved arboricultural method statement	Low	Minor	Retain
T1434	Sycamore	B1	• General above and below ground impacts associated with demolition operations and construction site activities: root damage, soil compaction, contact with branches and trunk	Medium	Moderate	• Use of tree protection barriers in accordance with the Tree Protection Plans (demolition and construction phases) and installed in accordance with an approved arboricultural method statement	Low	Minor	Retain
T1435	Sycamore	C1	• General above and below ground impacts associated with demolition operations and construction site activities: root damage, soil compaction, contact with branches and trunk	Medium	Minor	• Use of tree protection barriers in accordance with the Tree Protection Plans (demolition and construction phases) and installed in accordance with an approved arboricultural method statement	Low	Insignificant	Retain

## Arboricultural Impact Schedule

Site: Phase 8 Heyford

Ref D.0341

Number on plan	Species	Quality	Arboricultural effects (direct and indirect) of proposed design - description	Unadjusted scale of effect	Unadjusted significance of effect (scale effects x quality)	Recommended mitigation	Adjusted scale of effect following mitigation	Adjusted significance of effect (adj .scale effects x quality)	Tree removal required
T1436	Sycamore	C1	<ul style="list-style-type: none"> <li>General above and below ground impacts associated with demolition operations and construction site activities: root damage, soil compaction, contact with branches and trunk</li> </ul>	Medium	Minor	<ul style="list-style-type: none"> <li>Use of tree protection barriers in accordance with the Tree Protection Plans (demolition and construction phases) and installed in accordance with an approved arboricultural method statement</li> </ul>	Low	Insignificant	Retain
T1437	Sycamore	C1	<ul style="list-style-type: none"> <li>General above and below ground impacts associated with demolition operations and construction site activities: root damage, soil compaction, contact with branches and trunk</li> <li>Construction of building upto eastern periphery of crown shall require facilitation pruning to enable space for scaffolding.</li> </ul>	High	Moderate	<ul style="list-style-type: none"> <li>Use of tree protection barriers in accordance with the Tree Protection Plans (demolition and construction phases) and installed in accordance with an approved arboricultural method statement</li> <li>Extent of pruning works to be specified on site by an arboriculturist following setting out</li> <li>Carry out tree pruning works in accordance with the principles of BS3889:2010.</li> </ul>	Medium	Minor	Retain
T1438	Sycamore	B1	<ul style="list-style-type: none"> <li>General above and below ground impacts associated with demolition operations and construction site activities: root damage, soil compaction, contact with branches and trunk</li> <li>Construction of building upto eastern periphery of crown shall require facilitation pruning to enable space for scaffolding.</li> </ul>	High	Major	<ul style="list-style-type: none"> <li>Use of tree protection barriers in accordance with the Tree Protection Plans (demolition and construction phases) and installed in accordance with an approved arboricultural method statement</li> <li>Extent of pruning works to be specified on site by an arboriculturist following setting out</li> <li>Carry out tree pruning works in accordance with the principles of BS3889:2010.</li> </ul>	Medium	Moderate	Retain
T1439	Sycamore	B1	<ul style="list-style-type: none"> <li>General above and below ground impacts associated with demolition operations and construction site activities: root damage, soil compaction, contact with branches and trunk</li> <li>Construction of building upto eastern periphery of crown shall require facilitation pruning to enable space for scaffolding.</li> <li>Root damage associated with path construction within RPA</li> </ul>	High	Major	<ul style="list-style-type: none"> <li>Use of tree protection barriers in accordance with the Tree Protection Plans (demolition and construction phases) and installed in accordance with an approved arboricultural method statement</li> <li>Extent of pruning works to be specified on site by an arboriculturist following setting out</li> <li>Carry out tree pruning works in accordance with the principles of BS3889:2010.</li> <li>Use of proprietary cellular confinement load distributing surface, installed in accordance with an approved arboricultural method statement</li> </ul>	Medium	Moderate	Retain
T1440	Sycamore	B1	<ul style="list-style-type: none"> <li>General above and below ground impacts associated with demolition operations and construction site activities: root damage, soil compaction, contact with branches and trunk</li> </ul>	Medium	Moderate	<ul style="list-style-type: none"> <li>Use of tree protection barriers in accordance with the Tree Protection Plans (demolition and construction phases) and installed in accordance with an approved arboricultural method statement</li> </ul>	Low	Minor	Retain
T1441	Sycamore	C1	<ul style="list-style-type: none"> <li>General above and below ground impacts associated with demolition operations and construction site activities: root damage, soil compaction, contact with branches and trunk</li> </ul>	Medium	Minor	<ul style="list-style-type: none"> <li>Use of tree protection barriers in accordance with the Tree Protection Plans (demolition and construction phases) and installed in accordance with an approved arboricultural method statement</li> </ul>	Low	Insignificant	Retain
T1442	Sycamore	C1	<ul style="list-style-type: none"> <li>General above and below ground impacts associated with demolition operations and construction site activities: root damage, soil compaction, contact with branches and trunk</li> </ul>	Medium	Minor	<ul style="list-style-type: none"> <li>Use of tree protection barriers in accordance with the Tree Protection Plans (demolition and construction phases) and installed in accordance with an approved arboricultural method statement</li> </ul>	Low	Insignificant	Retain

## Arboricultural Impact Schedule

Site: Phase 8 Heyford

Ref D.0341

Number on plan	Species	Quality	Arboricultural effects (direct and indirect) of proposed design - description	Unadjusted scale of effect	Unadjusted significance of effect (scale effects x quality)	Recommended mitigation	Adjusted scale of effect following mitigation	Adjusted significance of effect (adj .scale effects x quality)	Tree removal required
T144 3	Sycamore	B1	<ul style="list-style-type: none"> <li>General above and below ground impacts associated with demolition operations and construction site activities: root damage, soil compaction, contact with branches and trunk</li> </ul>	Medium	Moderate	<ul style="list-style-type: none"> <li>Use of tree protection barriers in accordance with the Tree Protection Plans (demolition and construction phases) and installed in accordance with an approved arboricultural method statement</li> </ul>	Low	Minor	Retain
T144 4	Sycamore	B1	<ul style="list-style-type: none"> <li>General above and below ground impacts associated with demolition operations and construction site activities: root damage, soil compaction, contact with branches and trunk</li> </ul>	Medium	Moderate	<ul style="list-style-type: none"> <li>Use of tree protection barriers in accordance with the Tree Protection Plans (demolition and construction phases) and installed in accordance with an approved arboricultural method statement</li> </ul>	Low	Minor	Retain
T144 5	Sycamore	B1	<ul style="list-style-type: none"> <li>General above and below ground impacts associated with demolition operations and construction site activities: root damage, soil compaction, contact with branches and trunk</li> </ul>	Medium	Moderate	<ul style="list-style-type: none"> <li>Use of tree protection barriers in accordance with the Tree Protection Plans (demolition and construction phases) and installed in accordance with an approved arboricultural method statement</li> </ul>	Low	Minor	Retain
T144 6	Sycamore	B1	<ul style="list-style-type: none"> <li>General above and below ground impacts associated with demolition operations and construction site activities: root damage, soil compaction, contact with branches and trunk</li> <li>Root damage associated with path construction within RPA</li> </ul>	High	Major	<ul style="list-style-type: none"> <li>Use of tree protection barriers in accordance with the Tree Protection Plans (demolition and construction phases) and installed in accordance with an approved arboricultural method statement</li> <li>Use of proprietary cellular confinement load distributing surface, installed in accordance with an approved arboricultural method statement</li> </ul>	Low	Minor	Retain
T144 7	Sycamore	B1	<ul style="list-style-type: none"> <li>General above and below ground impacts associated with demolition operations and construction site activities: root damage, soil compaction, contact with branches and trunk</li> <li>Root damage associated with path construction within RPA</li> </ul>	High	Major	<ul style="list-style-type: none"> <li>Use of tree protection barriers in accordance with the Tree Protection Plans (demolition and construction phases) and installed in accordance with an approved arboricultural method statement</li> <li>Use of proprietary cellular confinement load distributing surface, installed in accordance with an approved arboricultural method statement</li> </ul>	Low	Minor	Retain
T144 8	Sycamore	B1	<ul style="list-style-type: none"> <li>General above and below ground impacts associated with demolition operations and construction site activities: root damage, soil compaction, contact with branches and trunk</li> <li>Root damage associated with path construction within RPA</li> </ul>	High	Major	<ul style="list-style-type: none"> <li>Use of tree protection barriers in accordance with the Tree Protection Plans (demolition and construction phases) and installed in accordance with an approved arboricultural method statement</li> <li>Use of proprietary cellular confinement load distributing surface, installed in accordance with an approved arboricultural method statement</li> </ul>	Low	Minor	Retain
T144 9	Sycamore	C1	<ul style="list-style-type: none"> <li>General above and below ground impacts associated with demolition operations and construction site activities: root damage, soil compaction, contact with branches and trunk</li> <li>Root damage associated with path construction within RPA</li> </ul>	High	Moderate	<ul style="list-style-type: none"> <li>Use of tree protection barriers in accordance with the Tree Protection Plans (demolition and construction phases) and installed in accordance with an approved arboricultural method statement</li> <li>Use of proprietary cellular confinement load distributing surface, installed in accordance with an approved arboricultural method statement</li> </ul>	Low	Insignificant	Retain
T145 0	Sycamore	C1	<ul style="list-style-type: none"> <li>General above and below ground impacts associated with demolition operations and construction site activities: root damage, soil compaction, contact with branches and trunk</li> </ul>	Medium	Minor	<ul style="list-style-type: none"> <li>Use of tree protection barriers in accordance with the Tree Protection Plans (demolition and construction phases) and installed in accordance with an approved arboricultural method statement</li> </ul>	Low	Insignificant	Retain

## Arboricultural Impact Schedule

Site: Phase 8 Heyford

Ref D.0341

Number on plan	Species	Quality	Arboricultural effects (direct and indirect) of proposed design - description	Unadjusted scale of effect	Unadjusted significance of effect (scale effects x quality)	Recommended mitigation	Adjusted scale of effect following mitigation	Adjusted significance of effect (adj .scale effects x quality)	Tree removal required
T145 1	Pine	C1	<ul style="list-style-type: none"> <li>General above and below ground impacts associated with demolition operations and construction site activities: root damage, soil compaction, contact with branches and trunk</li> </ul>	Medium	Minor	<ul style="list-style-type: none"> <li>Use of tree protection barriers in accordance with the Tree Protection Plans (demolition and construction phases) and installed in accordance with an approved arboricultural method statement</li> </ul>	Low	Insignificant	Retain
T145 2	Pine	C1	<ul style="list-style-type: none"> <li>General above and below ground impacts associated with demolition operations and construction site activities: root damage, soil compaction, contact with branches and trunk</li> </ul>	Medium	Minor	<ul style="list-style-type: none"> <li>Use of tree protection barriers in accordance with the Tree Protection Plans (demolition and construction phases) and installed in accordance with an approved arboricultural method statement</li> </ul>	Low	Insignificant	Retain
T145 3	Pine	C1	<ul style="list-style-type: none"> <li>General above and below ground impacts associated with demolition operations and construction site activities: root damage, soil compaction, contact with branches and trunk</li> </ul>	Medium	Minor	<ul style="list-style-type: none"> <li>Use of tree protection barriers in accordance with the Tree Protection Plans (demolition and construction phases) and installed in accordance with an approved arboricultural method statement</li> </ul>	Low	Insignificant	Retain
T145 4	Pine	C1	<ul style="list-style-type: none"> <li>General above and below ground impacts associated with demolition operations and construction site activities: root damage, soil compaction, contact with branches and trunk</li> </ul>	Medium	Minor	<ul style="list-style-type: none"> <li>Use of tree protection barriers in accordance with the Tree Protection Plans (demolition and construction phases) and installed in accordance with an approved arboricultural method statement</li> </ul>	Low	Insignificant	Retain
T145 5	Pine	C1	<ul style="list-style-type: none"> <li>General above and below ground impacts associated with demolition operations and construction site activities: root damage, soil compaction, contact with branches and trunk</li> <li>Root damage associated with path construction within RPA</li> </ul>	High	Moderate	<ul style="list-style-type: none"> <li>Use of tree protection barriers in accordance with the Tree Protection Plans (demolition and construction phases) and installed in accordance with an approved arboricultural method statement</li> <li>Use of proprietary cellular confinement load distributing surface, installed in accordance with an approved arboricultural method statement</li> </ul>	Low	Insignificant	Retain
T145 6	Beech	B1	<ul style="list-style-type: none"> <li>General above and below ground impacts associated with demolition operations and construction site activities: root damage, soil compaction, contact with branches and trunk</li> <li>Root damage associated with path construction within RPA</li> </ul>	High	Major	<ul style="list-style-type: none"> <li>Use of tree protection barriers in accordance with the Tree Protection Plans (demolition and construction phases) and installed in accordance with an approved arboricultural method statement</li> <li>Use of proprietary cellular confinement load distributing surface, installed in accordance with an approved arboricultural method statement</li> </ul>	Low	Minor	Retain
T145 7	Beech	B1	<ul style="list-style-type: none"> <li>General above and below ground impacts associated with demolition operations and construction site activities: root damage, soil compaction, contact with branches and trunk</li> <li>Root damage associated with path construction within RPA</li> </ul>	High	Major	<ul style="list-style-type: none"> <li>Use of tree protection barriers in accordance with the Tree Protection Plans (demolition and construction phases) and installed in accordance with an approved arboricultural method statement</li> <li>Use of proprietary cellular confinement load distributing surface, installed in accordance with an approved arboricultural method statement</li> </ul>	Low	Minor	Retain

## Arboricultural Impact Schedule

Site: Phase 8 Heyford

Ref D.0341

Number on plan	Species	Quality	Arboricultural effects (direct and indirect) of proposed design - description	Unadjusted scale of effect	Unadjusted significance of effect (scale effects x quality)	Recommended mitigation	Adjusted scale of effect following mitigation	Adjusted significance of effect (adj .scale effects x quality)	Tree removal required
T1458	Beech	B1	<ul style="list-style-type: none"> <li>General above and below ground impacts associated with demolition operations and construction site activities: root damage, soil compaction, contact with branches and trunk</li> <li>Excavation for drainage installation through eastern periphery of RPA shall require compensatory lateral reduction of eastern crown to reduce as far as reasonably practicable the likelihood of resulting instability.</li> </ul>	High	Major	<ul style="list-style-type: none"> <li>Use of tree protection barriers in accordance with the Tree Protection Plans (demolition and construction phases) and installed in accordance with an approved arboricultural method statement</li> <li>Extent of pruning works to be specified on site by an arboriculturist following setting out</li> <li>Carry out tree pruning works in accordance with the principles of BS3889:2010.</li> </ul>	Medium	Moderate	Retain
T1459	Beech	B1	<ul style="list-style-type: none"> <li>General above and below ground impacts associated with demolition operations and construction site activities: root damage, soil compaction, contact with branches and trunk</li> <li>Root damage associated with path construction within RPA</li> </ul>	High	Major	<ul style="list-style-type: none"> <li>Use of tree protection barriers in accordance with the Tree Protection Plans (demolition and construction phases) and installed in accordance with an approved arboricultural method statement</li> <li>Use of proprietary cellular confinement load distributing surface, installed in accordance with an approved arboricultural method statement</li> </ul>	Low	Minor	Retain
T1460	Sycamore	B1	<ul style="list-style-type: none"> <li>General above and below ground impacts associated with demolition operations and construction site activities: root damage, soil compaction, contact with branches and trunk</li> <li>Root damage associated with path construction within RPA</li> </ul>	High	Major	<ul style="list-style-type: none"> <li>Use of tree protection barriers in accordance with the Tree Protection Plans (demolition and construction phases) and installed in accordance with an approved arboricultural method statement</li> <li>Use of proprietary cellular confinement load distributing surface, installed in accordance with an approved arboricultural method statement</li> </ul>	Low	Minor	Retain
T1461	Pine	C1			#N/A		#N/A	#N/A	
T1462	Sycamore	C1	<ul style="list-style-type: none"> <li>General above and below ground impacts associated with demolition operations and construction site activities: root damage, soil compaction, contact with branches and trunk</li> <li>Root damage associated with path construction within RPA</li> </ul>	High	Moderate	<ul style="list-style-type: none"> <li>Use of tree protection barriers in accordance with the Tree Protection Plans (demolition and construction phases) and installed in accordance with an approved arboricultural method statement</li> <li>Use of proprietary cellular confinement load distributing surface, installed in accordance with an approved arboricultural method statement</li> </ul>	Low	Insignificant	Retain
T1463	Sycamore	C1	<ul style="list-style-type: none"> <li>General above and below ground impacts associated with demolition operations and construction site activities: root damage, soil compaction, contact with branches and trunk</li> <li>Construction of building upto eastern periphery of crown shall require facilitation pruning to enable space for scaffolding.</li> </ul>	High	Moderate	<ul style="list-style-type: none"> <li>Use of tree protection barriers in accordance with the Tree Protection Plans (demolition and construction phases) and installed in accordance with an approved arboricultural method statement</li> <li>Extent of pruning works to be specified on site by an arboriculturist following setting out</li> <li>Carry out tree pruning works in accordance with the principles of BS3889:2010.</li> </ul>	Medium	Minor	Retain
T1464	NoNorway maple	B1	<ul style="list-style-type: none"> <li>General above and below ground impacts associated with demolition operations and construction site activities: root damage, soil compaction, contact with branches and trunk</li> </ul>	Medium	Moderate	<ul style="list-style-type: none"> <li>Use of tree protection barriers in accordance with the Tree Protection Plans (demolition and construction phases) and installed in accordance with an approved arboricultural method statement</li> </ul>	Low	Minor	Retain

## Arboricultural Impact Schedule

Site: Phase 8 Heyford

Ref D.0341

Number on plan	Species	Quality	Arboricultural effects (direct and indirect) of proposed design - description	Unadjusted scale of effect	Unadjusted significance of effect (scale effects x quality)	Recommended mitigation	Adjusted scale of effect following mitigation	Adjusted significance of effect (adj .scale effects x quality)	Tree removal required
T1465	Sycamore	B1	<ul style="list-style-type: none"> <li>General above and below ground impacts associated with demolition operations and construction site activities: root damage, soil compaction, contact with branches and trunk</li> <li>Root damage associated with path construction within RPA</li> </ul>	High	Major	<ul style="list-style-type: none"> <li>Use of tree protection barriers in accordance with the Tree Protection Plans (demolition and construction phases) and installed in accordance with an approved arboricultural method statement</li> <li>Use of proprietary cellular confinement load distributing surface, installed in accordance with an approved arboricultural method statement</li> </ul>	Low	Minor	Retain
T1466	Sycamore	C1	<ul style="list-style-type: none"> <li>General above and below ground impacts associated with demolition operations and construction site activities: root damage, soil compaction, contact with branches and trunk</li> <li>Root damage associated with path construction within RPA</li> </ul>	High	Moderate	<ul style="list-style-type: none"> <li>Use of tree protection barriers in accordance with the Tree Protection Plans (demolition and construction phases) and installed in accordance with an approved arboricultural method statement</li> <li>Use of proprietary cellular confinement load distributing surface, installed in accordance with an approved arboricultural method statement</li> </ul>	Low	Insignificant	Retain
T1467	Sycamore	B1	<ul style="list-style-type: none"> <li>General above and below ground impacts associated with demolition operations and construction site activities: root damage, soil compaction, contact with branches and trunk</li> <li>Root damage associated with path construction within RPA</li> </ul>	High	Major	<ul style="list-style-type: none"> <li>Use of tree protection barriers in accordance with the Tree Protection Plans (demolition and construction phases) and installed in accordance with an approved arboricultural method statement</li> <li>Use of proprietary cellular confinement load distributing surface, installed in accordance with an approved arboricultural method statement</li> </ul>	Low	Minor	Retain
T1468	Sycamore	B1	<ul style="list-style-type: none"> <li>General above and below ground impacts associated with demolition operations and construction site activities: root damage, soil compaction, contact with branches and trunk</li> </ul>	Medium	Moderate	<ul style="list-style-type: none"> <li>Use of tree protection barriers in accordance with the Tree Protection Plans (demolition and construction phases) and installed in accordance with an approved arboricultural method statement</li> </ul>	Low	Minor	Retain
T1469	Sycamore	B1	<ul style="list-style-type: none"> <li>General above and below ground impacts associated with demolition operations and construction site activities: root damage, soil compaction, contact with branches and trunk</li> </ul>	Medium	Moderate	<ul style="list-style-type: none"> <li>Use of tree protection barriers in accordance with the Tree Protection Plans (demolition and construction phases) and installed in accordance with an approved arboricultural method statement</li> </ul>	Low	Minor	Retain
T1470	Sycamore	C1	<ul style="list-style-type: none"> <li>General above and below ground impacts associated with demolition operations and construction site activities: root damage, soil compaction, contact with branches and trunk</li> <li>Root damage associated with path construction within RPA</li> </ul>	High	Moderate	<ul style="list-style-type: none"> <li>Use of tree protection barriers in accordance with the Tree Protection Plans (demolition and construction phases) and installed in accordance with an approved arboricultural method statement</li> <li>Use of proprietary cellular confinement load distributing surface, installed in accordance with an approved arboricultural method statement</li> </ul>	Low	Insignificant	Retain
T1471	Sycamore	B1	<ul style="list-style-type: none"> <li>General above and below ground impacts associated with demolition operations and construction site activities: root damage, soil compaction, contact with branches and trunk</li> <li>Root damage associated with path construction within RPA</li> </ul>	High	Major	<ul style="list-style-type: none"> <li>Use of tree protection barriers in accordance with the Tree Protection Plans (demolition and construction phases) and installed in accordance with an approved arboricultural method statement</li> <li>Use of proprietary cellular confinement load distributing surface, installed in accordance with an approved arboricultural method statement</li> </ul>	Low	Minor	Retain
T1472	Sycamore	B1	<ul style="list-style-type: none"> <li>General above and below ground impacts associated with demolition operations and construction site activities: root damage, soil compaction, contact with branches and trunk</li> </ul>	Medium	Moderate	<ul style="list-style-type: none"> <li>Use of tree protection barriers in accordance with the Tree Protection Plans (demolition and construction phases) and installed in accordance with an approved arboricultural method statement</li> </ul>	Low	Minor	Retain

## Arboricultural Impact Schedule

Site: Phase 8 Heyford

Ref D.0341

Number on plan	Species	Quality	Arboricultural effects (direct and indirect) of proposed design - description	Unadjusted scale of effect	Unadjusted significance of effect (scale effects x quality)	Recommended mitigation	Adjusted scale of effect following mitigation	Adjusted significance of effect (adj .scale effects x quality)	Tree removal required
T147 3	Sycamore	C1	<ul style="list-style-type: none"> <li>General above and below ground impacts associated with demolition operations and construction site activities: root damage, soil compaction, contact with branches and trunk</li> </ul>	Medium	Minor	<ul style="list-style-type: none"> <li>Use of tree protection barriers in accordance with the Tree Protection Plans (demolition and construction phases) and installed in accordance with an approved arboricultural method statement</li> </ul>	Low	Insignificant	Retain
T147 4	Sycamore	B1	<ul style="list-style-type: none"> <li>General above and below ground impacts associated with demolition operations and construction site activities: root damage, soil compaction, contact with branches and trunk</li> </ul>	Medium	Moderate	<ul style="list-style-type: none"> <li>Use of tree protection barriers in accordance with the Tree Protection Plans (demolition and construction phases) and installed in accordance with an approved arboricultural method statement</li> </ul>	Low	Minor	Retain
T147 5	Sycamore	B1	<ul style="list-style-type: none"> <li>General above and below ground impacts associated with demolition operations and construction site activities: root damage, soil compaction, contact with branches and trunk</li> <li>Root damage associated with path construction within RPA</li> </ul>	High	Major	<ul style="list-style-type: none"> <li>Use of tree protection barriers in accordance with the Tree Protection Plans (demolition and construction phases) and installed in accordance with an approved arboricultural method statement</li> <li>Use of proprietary cellular confinement load distributing surface, installed in accordance with an approved arboricultural method statement</li> </ul>	Low	Minor	Retain
T147 6	Sycamore	C1	Remove to enable proposed development	High	Moderate	Replanting as part of wider mitigation for the site	Medium	Minor	Remove
T147 7	Sycamore	B1	<ul style="list-style-type: none"> <li>General above and below ground impacts associated with demolition operations and construction site activities: root damage, soil compaction, contact with branches and trunk</li> </ul>	Medium	Moderate	<ul style="list-style-type: none"> <li>Use of tree protection barriers in accordance with the Tree Protection Plans (demolition and construction phases) and installed in accordance with an approved arboricultural method statement</li> </ul>	Low	Minor	Retain
T147 8	Sycamore	B1	<ul style="list-style-type: none"> <li>General above and below ground impacts associated with demolition operations and construction site activities: root damage, soil compaction, contact with branches and trunk</li> </ul>	Medium	Moderate	<ul style="list-style-type: none"> <li>Use of tree protection barriers in accordance with the Tree Protection Plans (demolition and construction phases) and installed in accordance with an approved arboricultural method statement</li> </ul>	Low	Minor	Retain
T147 9	Sycamore	B1	<ul style="list-style-type: none"> <li>General above and below ground impacts associated with demolition operations and construction site activities: root damage, soil compaction, contact with branches and trunk</li> <li>Root damage associated with path construction within RPA</li> </ul>	High	Major	<ul style="list-style-type: none"> <li>Use of tree protection barriers in accordance with the Tree Protection Plans (demolition and construction phases) and installed in accordance with an approved arboricultural method statement</li> <li>Use of proprietary cellular confinement load distributing surface, installed in accordance with an approved arboricultural method statement</li> </ul>	Low	Minor	Retain
T148 0	Sycamore	C1	<ul style="list-style-type: none"> <li>General above and below ground impacts associated with demolition operations and construction site activities: root damage, soil compaction, contact with branches and trunk</li> <li>Root damage associated with path construction within RPA</li> </ul>	High	Moderate	<ul style="list-style-type: none"> <li>Use of tree protection barriers in accordance with the Tree Protection Plans (demolition and construction phases) and installed in accordance with an approved arboricultural method statement</li> <li>Use of proprietary cellular confinement load distributing surface, installed in accordance with an approved arboricultural method statement</li> </ul>	Low	Insignificant	Retain

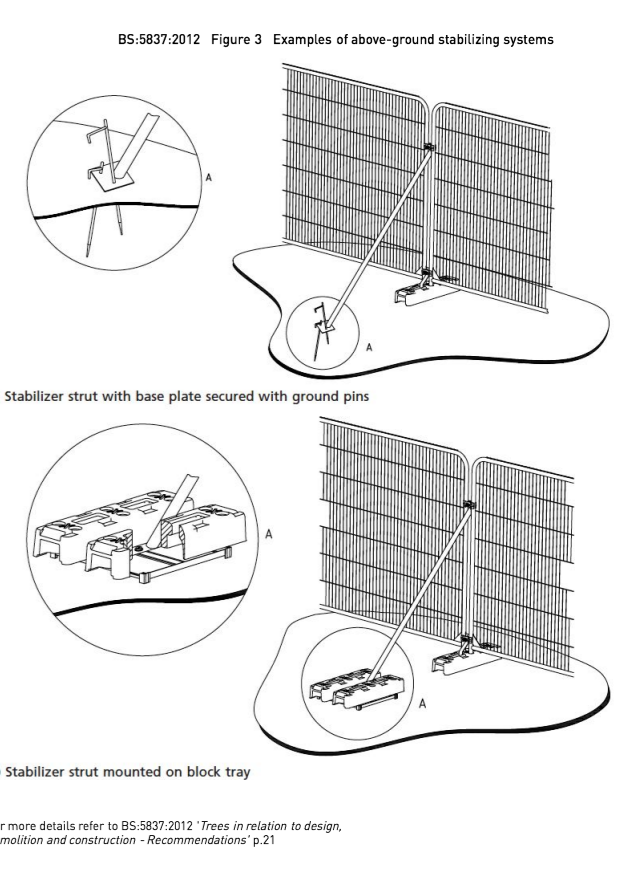


## **APPENDIX 6**

### **TREE PROTECTION PLAN: DEMOLITION**



- KEY BS 5837:2012 Categories**
- Tree Category A - High Quality
  - A Category - Hedgerow, Group, Woodland
  - Tree Category B - Moderate Quality
  - B Category - Hedgerow, Group, Woodland
  - Tree Category C - Low Quality
  - C Category - Hedgerow, Group, Woodland
  - Tree Category U - Unsuitable for Retention
  - Root Protection Area to BS 5837:2012
  - Shrub Mass / Offsite Tree
  - Tree Protection Barrier to BS 5837:2012



**Note:** The original of this drawing was produced in colour - a monochrome copy should not be relied upon.

Revisions:  
First Issue- 12/04/2016 AD

**Tree Protection Plan - Phase 8 Demolition Heyford Park**

Client: Dorchester Group  
 DRWG No: **D.0341\_96** Sheet No: \_ REV: \_  
 Drawn by: AD Approved by: MR  
 Date: 12/04/2016  
 Scale: 1:500 @ A1

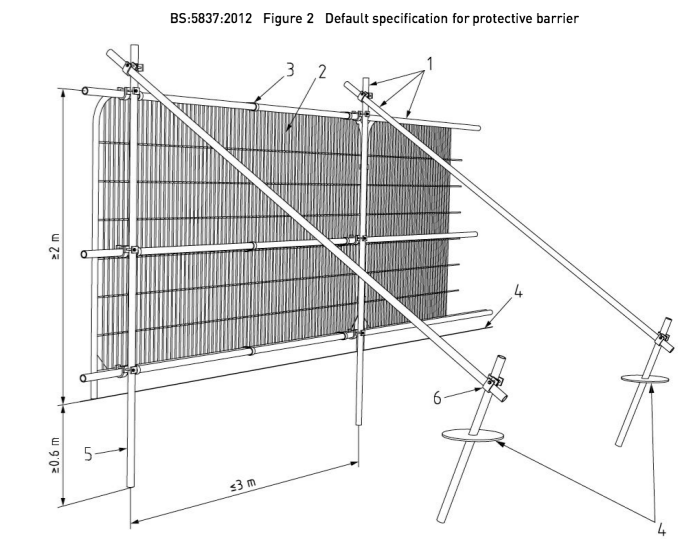


## **APPENDIX 7**

### **TREE PROTECTION PLAN: CONSTRUCTION**



- KEY BS 5837:2012 Categories**
- Tree Category A - High Quality
  - A Category - Hedgerow, Group, Woodland
  - Tree Category B - Moderate Quality
  - B Category - Hedgerow, Group, Woodland
  - Tree Category C - Low Quality
  - C Category - Hedgerow, Group, Woodland
  - Tree Category U - Unsuitable for Retention
  - Root Protection Area to BS 5837:2012
  - Shrub Mass / Offsite Tree
  - Tree Protection Barrier to BS 5837:2012
  - Area of Cellular 'No Dig' Load Distributing Surface - installed in accordance with an approved AMS



- Key**
- 1 Standard scaffold poles
  - 2 Heavy gauge 2 m tall galvanized tube and welded mesh infill panels
  - 3 Panels secured to uprights and cross members with wire ties
  - 4 Ground level
  - 5 Uprights driven into the ground until secure (minimum depth 0.6 m)
  - 6 Standard scaffold clamps

For more details refer to BS 5837:2012. Notes in relation to design, erection and construction - Recommendations 2/3

**Note:** The original of this drawing was produced in colour - a monochrome copy should not be relied upon.

Revisions:  
First Issue- 12/04/2016 AD

## Tree Protection Plan - Phase 8 Construction Heyford Park

Client: Dorchester Group  
 DRWG No: **D.0341\_97** Sheet No: \_ REV: \_  
 Drawn by: AD Approved by: MR  
 Date: 12/04/2016  
 Scale: 1:500 @ A1

