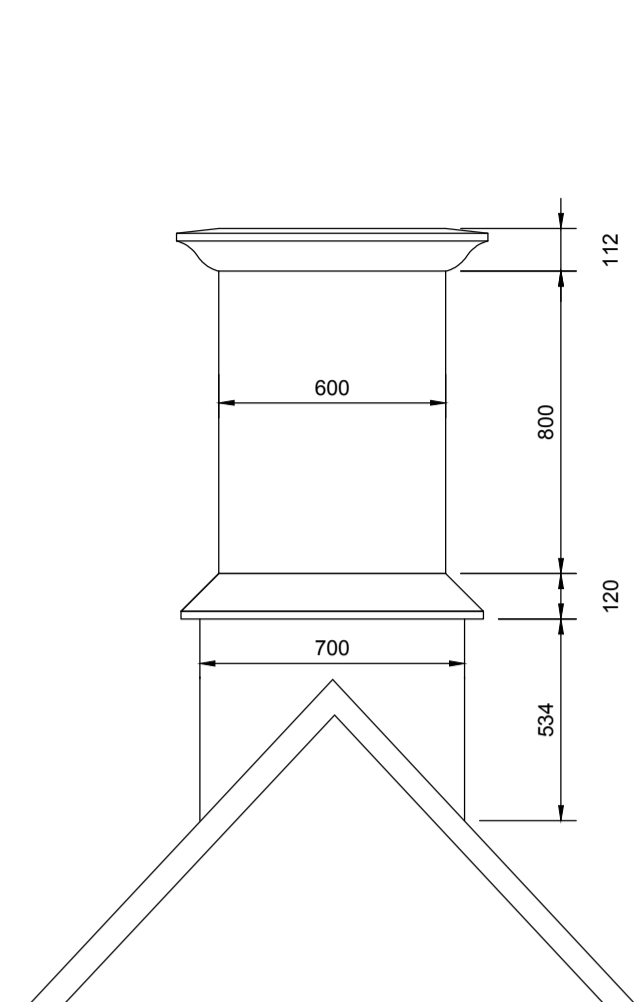
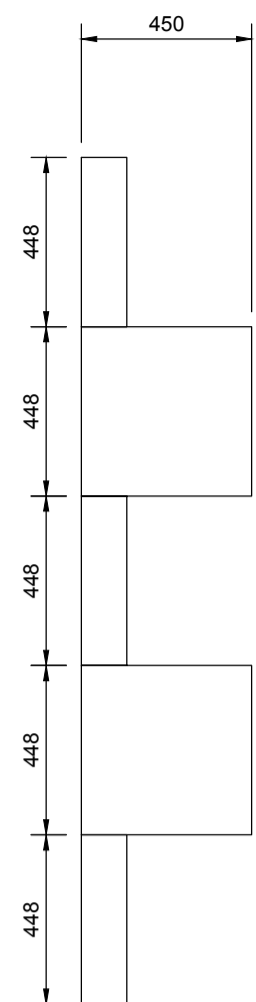


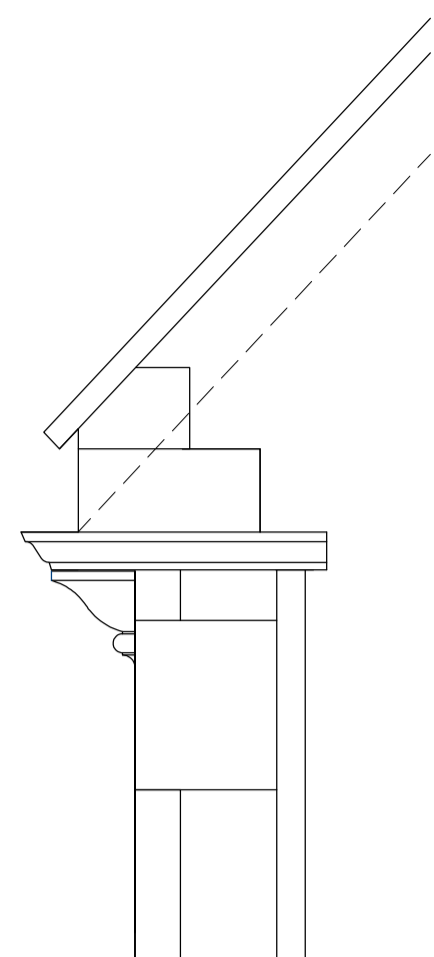
NOTES:



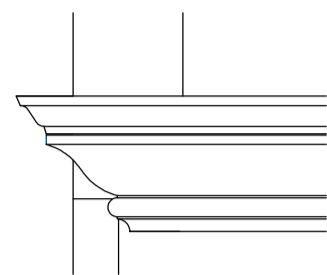
TYPICAL ASHLAR CHIMNEY ELEVATION (1:20)



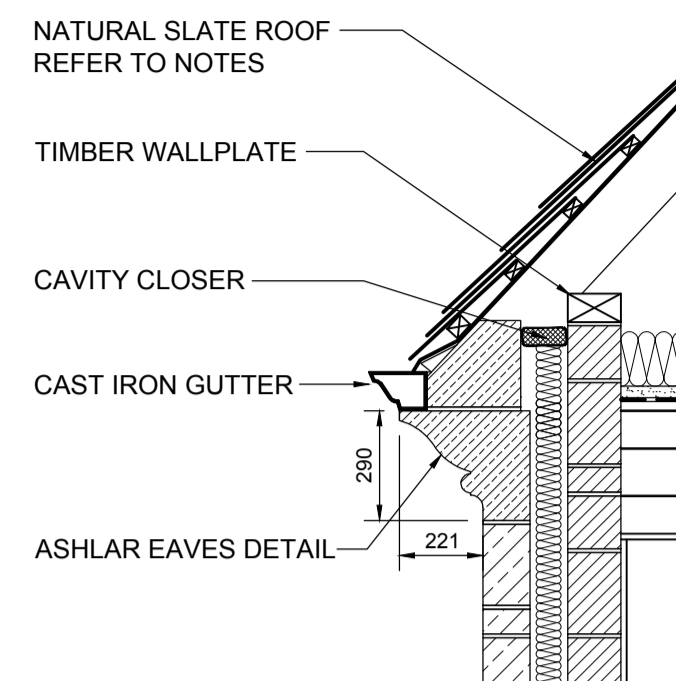
TYPICAL CORNER ASHLAR STONES ELEVATION (1:20)



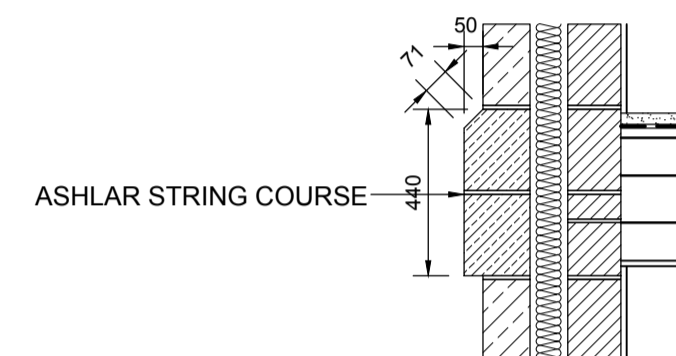
TYPICAL KNEELER AND COPING ELEVATION (1:20)



TYPICAL EAVES ELEVATION (1:20)

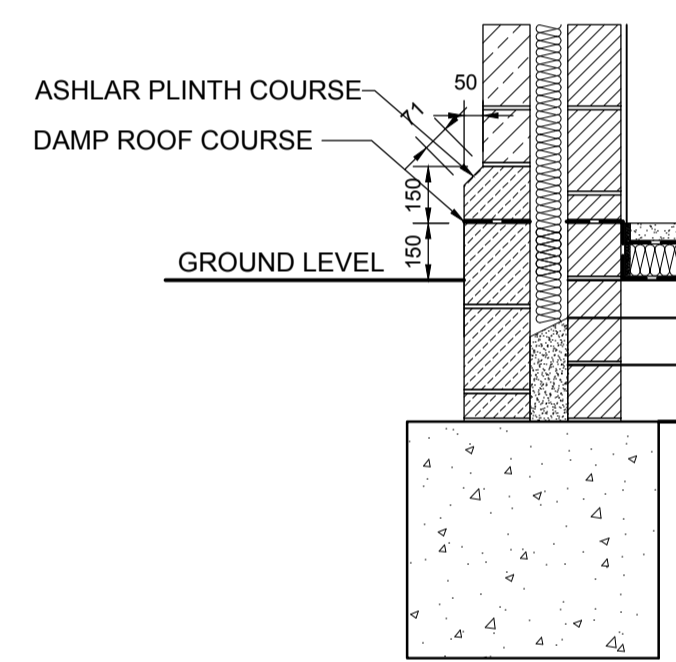


TYPICAL EAVES SECTION (1:20)



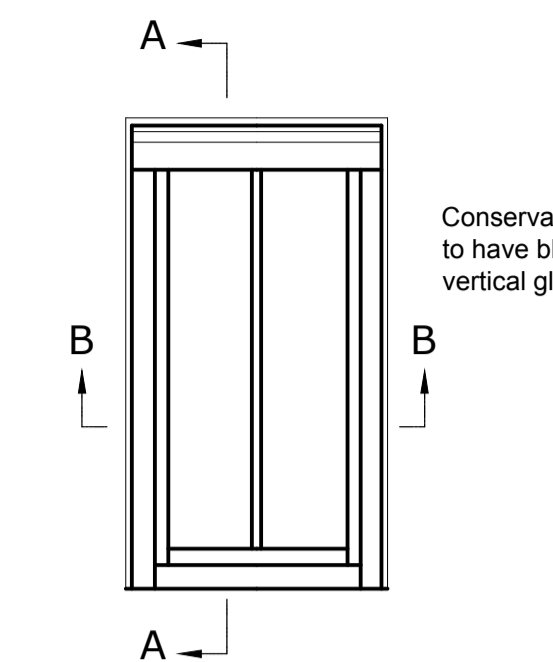
ASHLAR STRING COURSE

TYPICAL STRING SECTION (1:20)

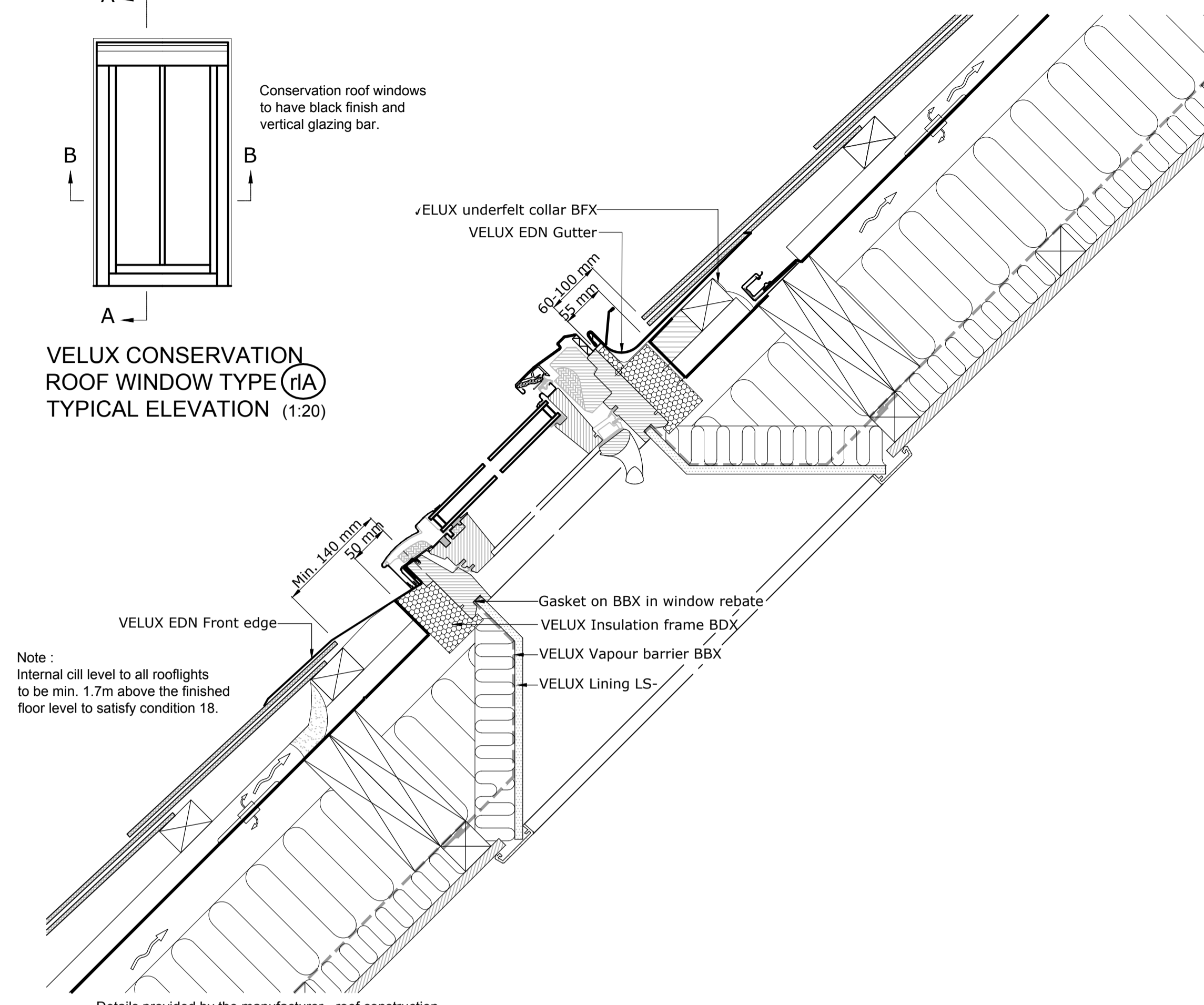


ASHLAR PLINTH COURSE
DAMP ROOF COURSE

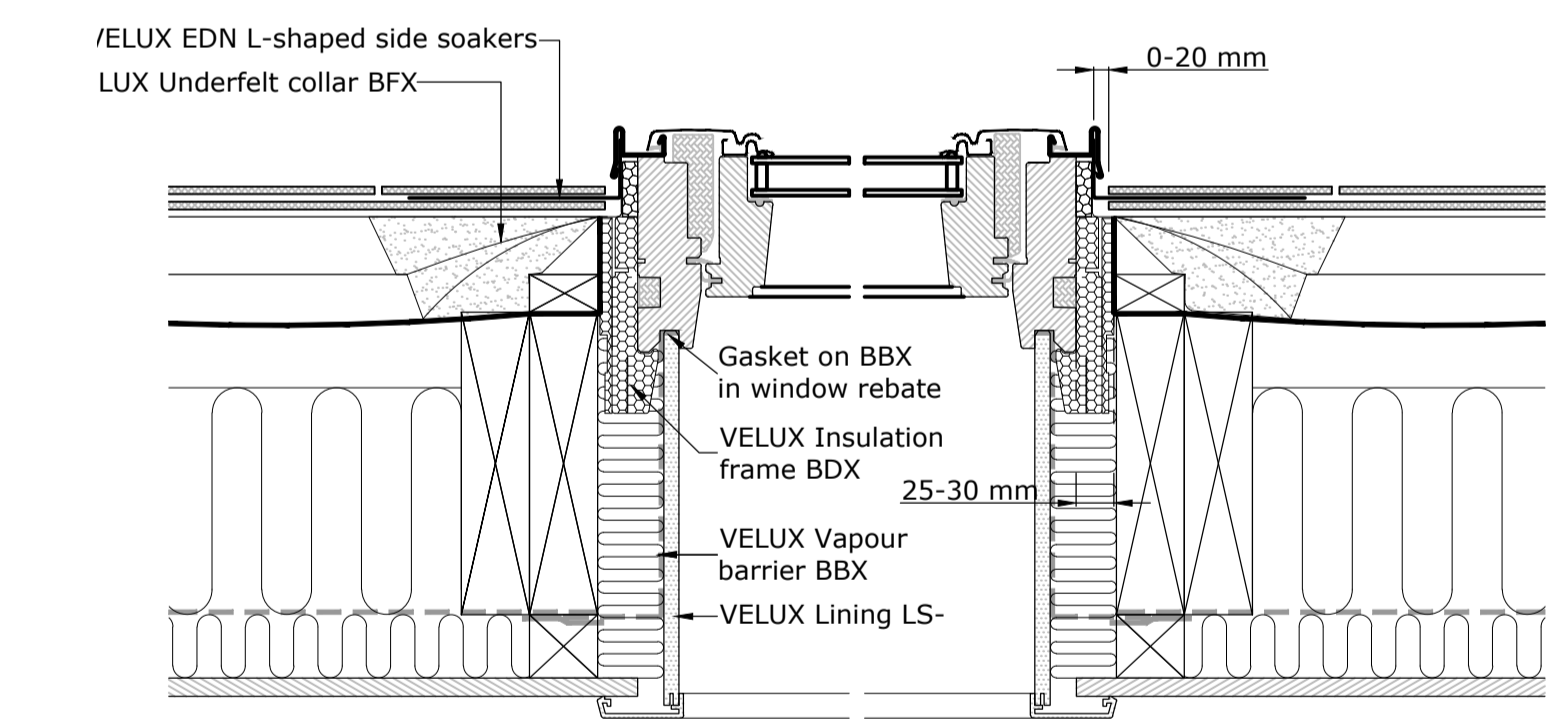
TYPICAL PLINTH SECTION (1:20)



VELUX CONSERVATION ROOF WINDOW TYPE (1A) TYPICAL ELEVATION (1:20)



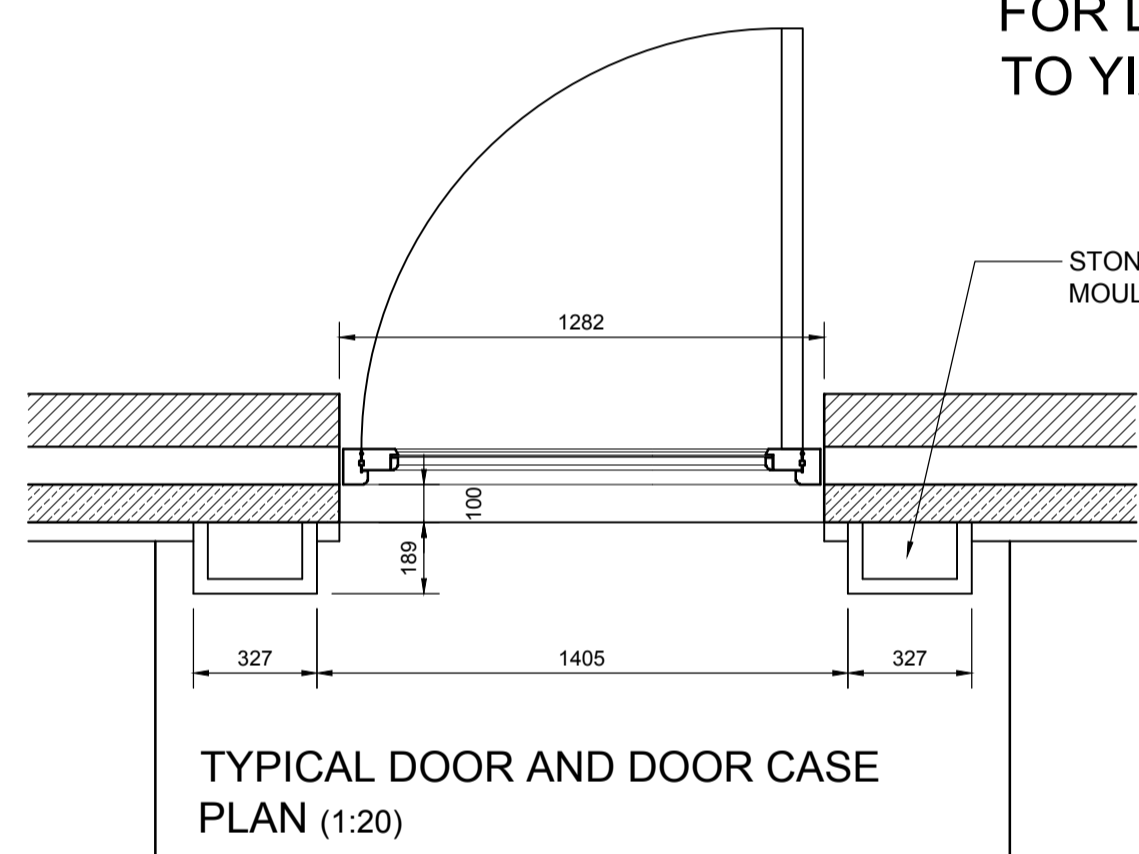
SECTION A-A (1:5)



SECTION B-B (1:5)

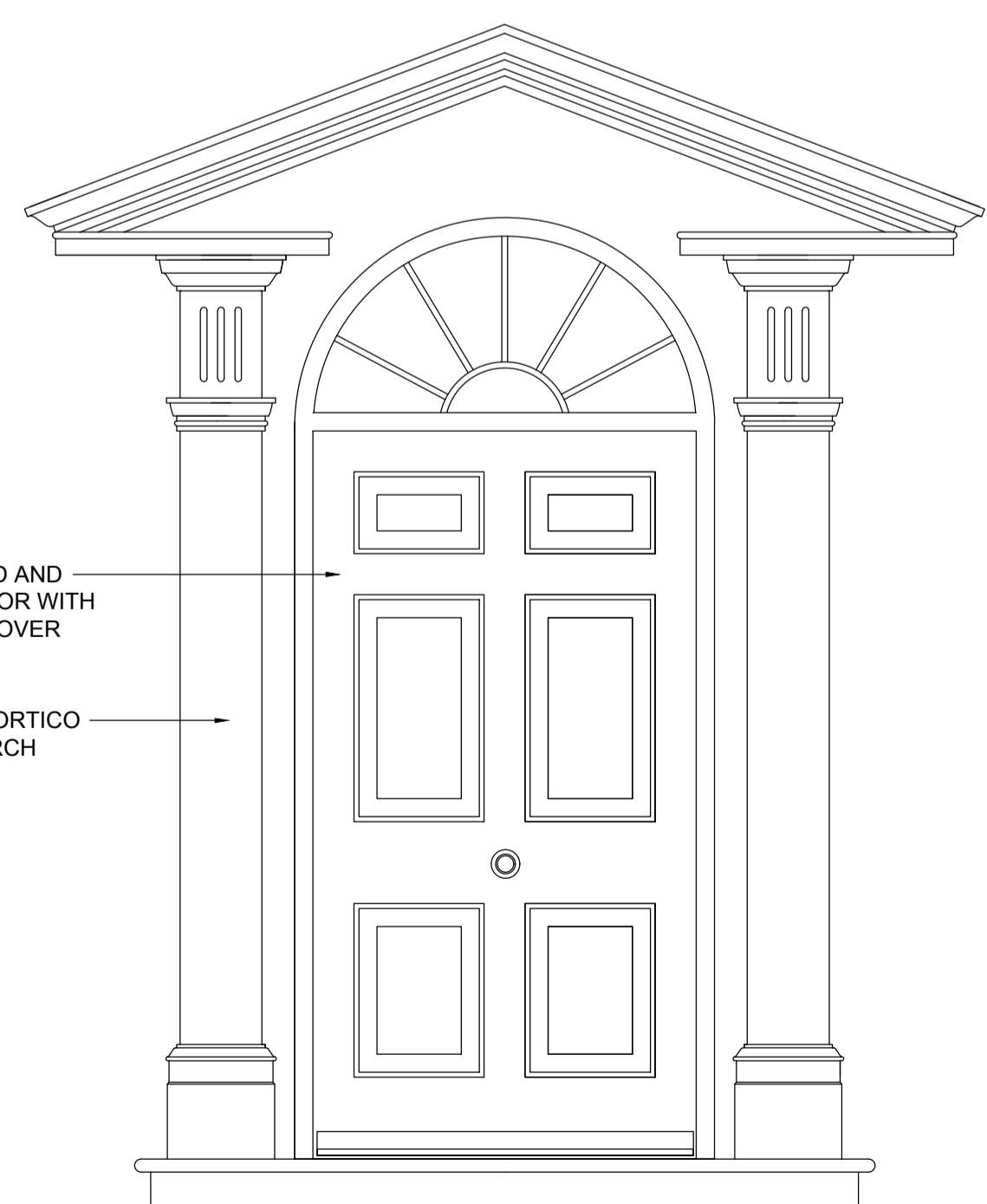
FOR WINDOW DETAILS REFER TO YIANGOU DRAWING 1759.125B

FOR DORMER WINDOW DETAILS REFER TO YIANGOU DRAWING 1759.126B

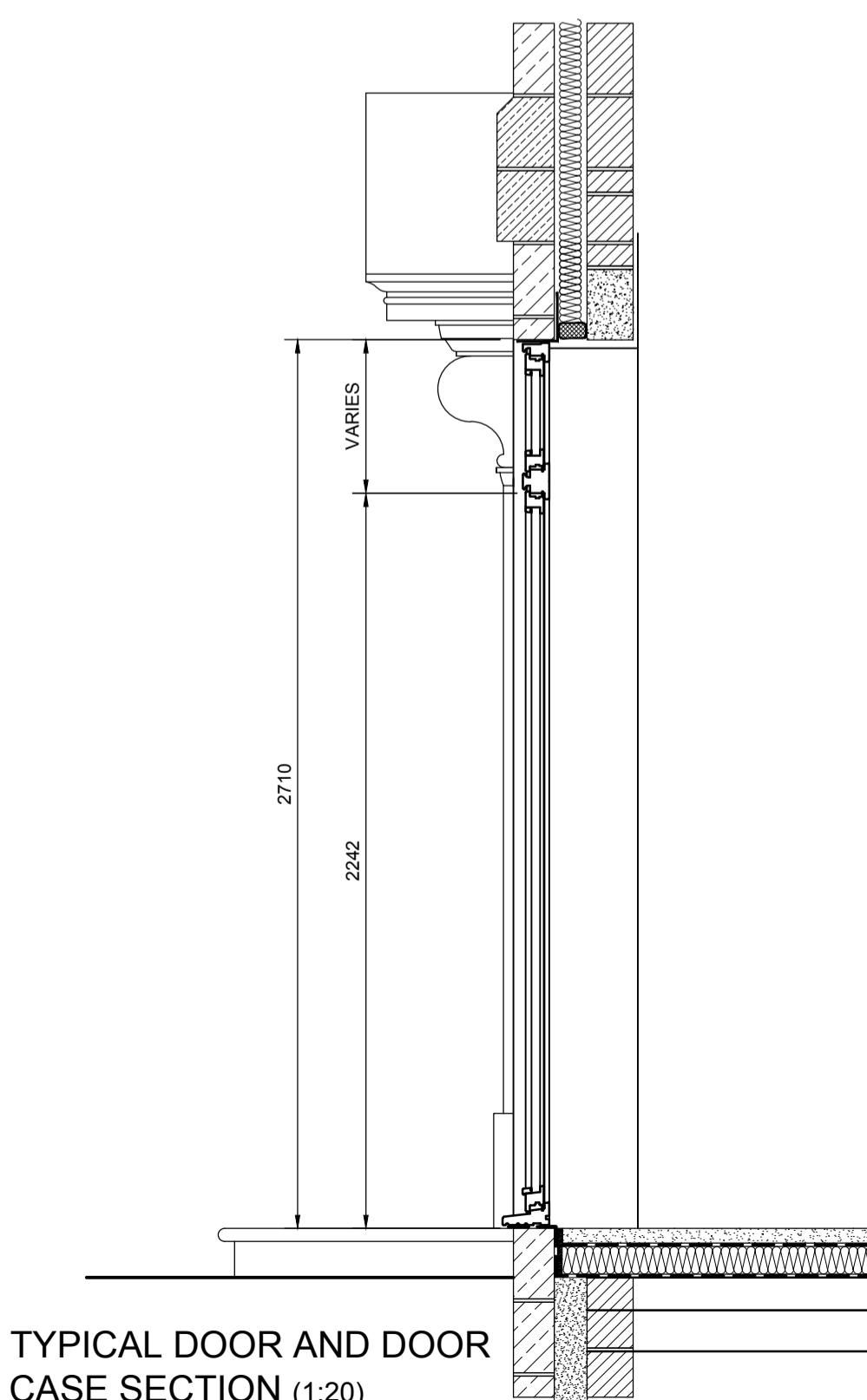


TYPICAL DOOR AND DOOR CASE PLAN (1:20)

HARDWOOD RAISED AND FIELDED PANEL DOOR WITH GLAZED FANLIGHT OVER
NATURAL STONE PORTICO COLUMNS AND PORCH



TYPICAL DOOR AND DOOR CASE ELEVATION (1:20)



TYPICAL DOOR AND DOOR CASE SECTION (1:20)

REV	DATE	BY	DESCRIPTION	CHK	APP

DRAWING STATUS: BUILDING REGULATIONS

WELLAN Ltd
Wellan House,
Aylesmore, Shipston-on-Stour,
Warwickshire.
CV36 5EJ
Tel: 01608 685753
Email: mail@wellan.co.uk
Website: www.wellan.co.uk

CLIENT: MR H JERVIS

PROJECT: MIDDLE BARN FARM
SIBFORD GOWER, OX15 5RY

TITLE: MAIN DWELLING HOUSE
PLANNING CONDITIONS DETAILS

SCALE	DATE	DESIGN/DRAWN	CHECKED	APPROVED	SHT
1:20 @ A1	2 JULY 18	TB / TB			A1

JOB No. 18-109

DRAWING No. 13