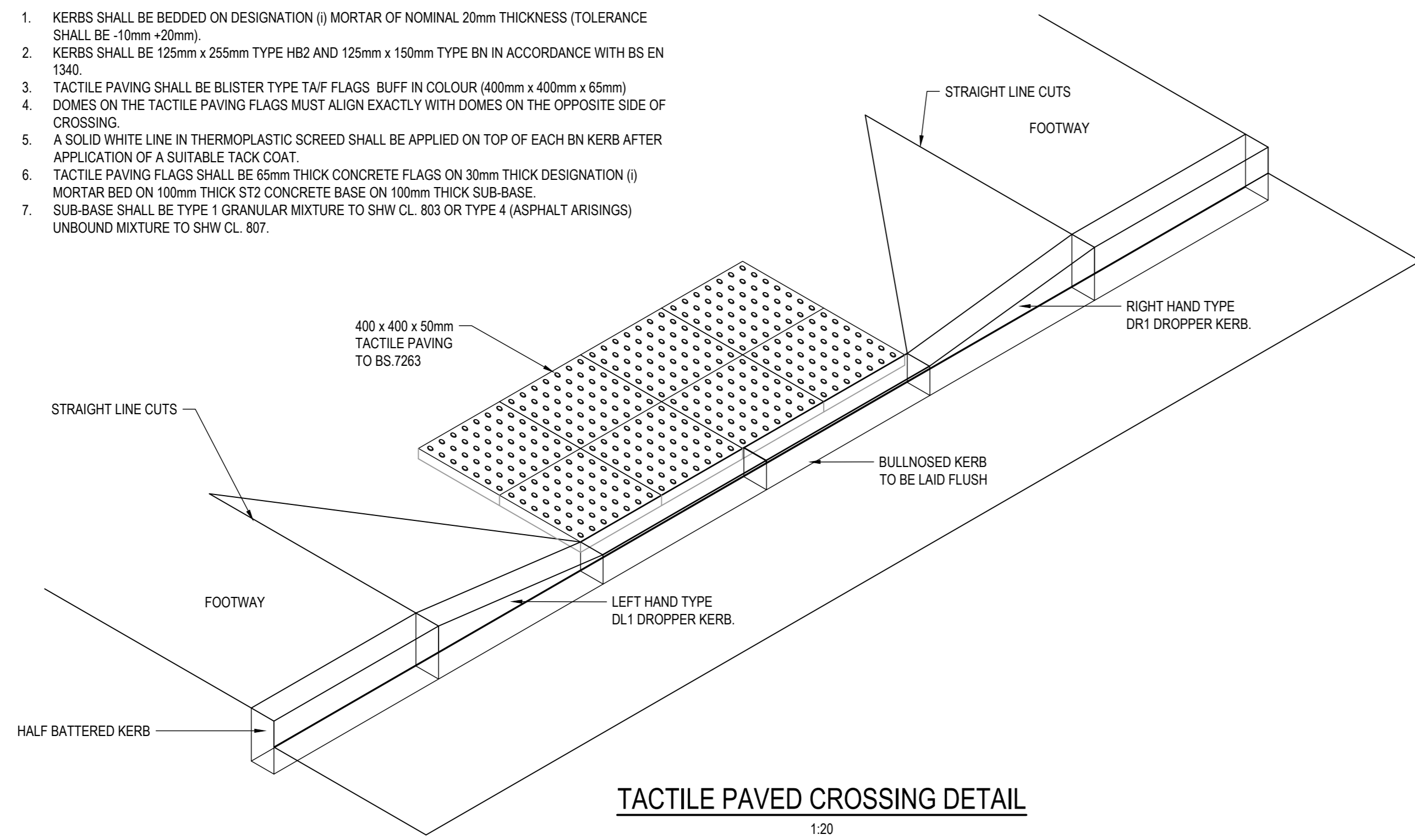
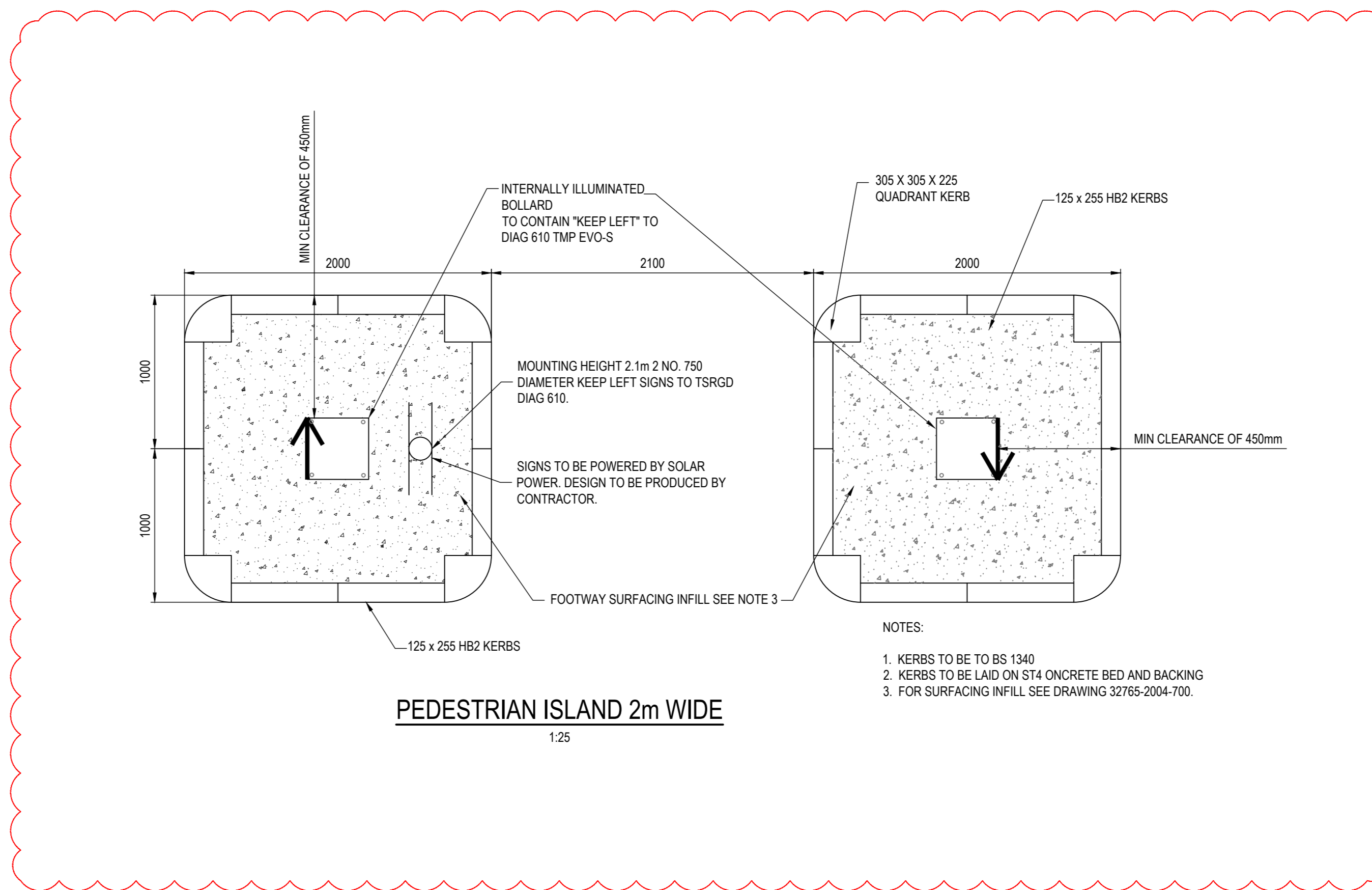


**NOTES**

- KERBS SHALL BE BEDDED ON DESIGNATION (i) MORTAR OF NOMINAL 20mm THICKNESS (TOLERANCE SHALL BE -10mm +20mm)
- KERBS SHALL BE 125mm x 255mm TYPE HB2 AND 125mm x 150mm TYPE BN IN ACCORDANCE WITH BS EN 1340
- TACTILE PAVING SHALL BE BLISTER TYPE TAF FLAGS BLUFF IN COLOUR (400mm x 400mm x 65mm)
- DOMES ON THE TACTILE PAVING FLAGS MUST ALIGN EXACTLY WITH DOMES ON THE OPPOSITE SIDE OF CROSSING
- A SOLID WHITE LINE IN THERMOPLASTIC SCREENED SHALL BE APPLIED ON TOP OF EACH BN KERB AFTER APPLICATION OF A SUITABLE TACK COAT
- TACTILE PAVING FLAGS SHALL BE 65mm THICK CONCRETE FLAGS ON 30mm THICK DESIGNATION (i) MORTAR BED ON 100mm THICK ST4 CONCRETE BED ON 100mm THICK SUB-BASE
- SUB-BASE SHALL BE TYPE 1 GRANULAR MIXTURE TO SHW CL. 803 OR TYPE 4 (ASPHALT ARISINGS) UNBOUND MIXTURE TO SHW CL. 807

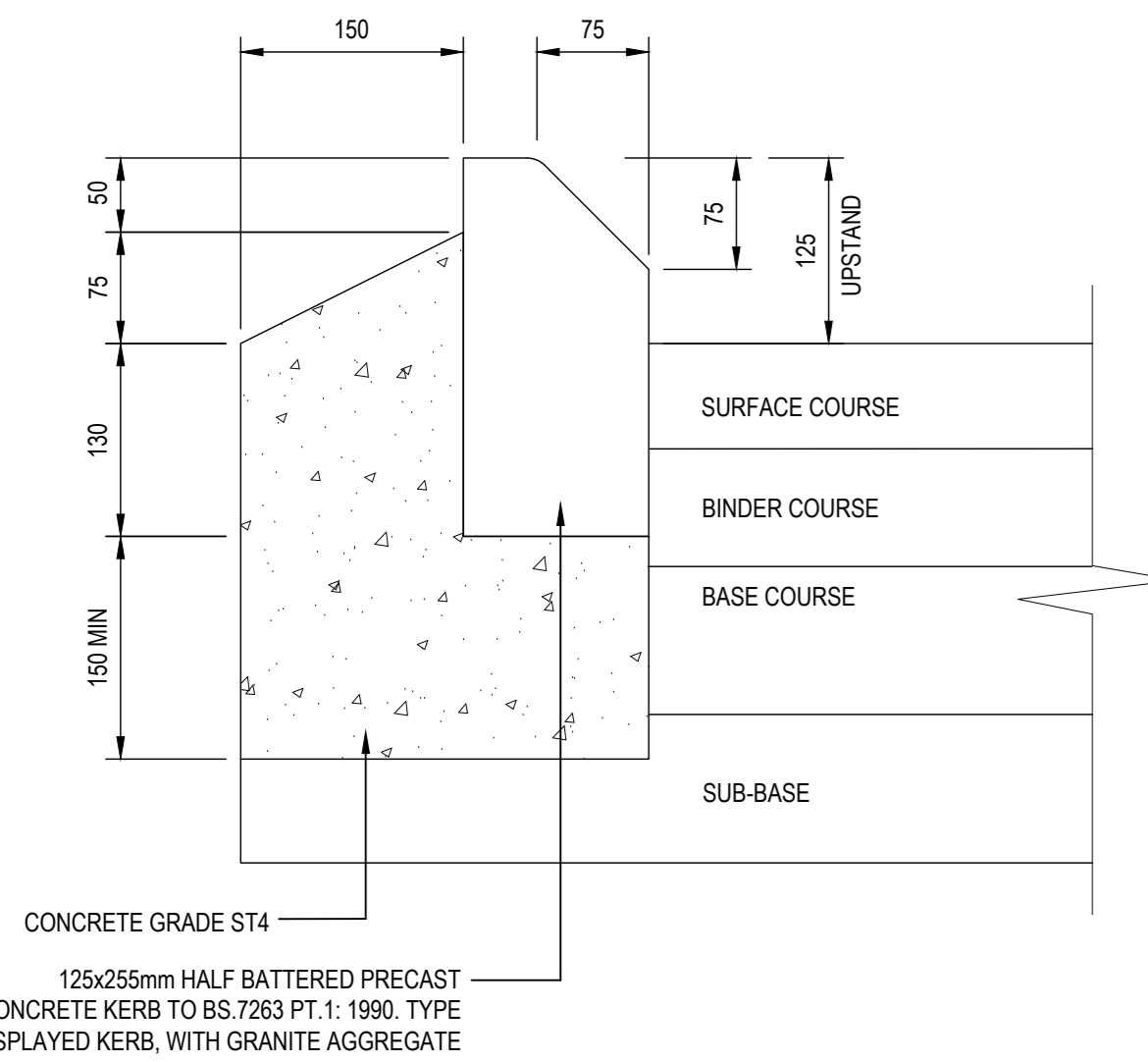


**TACTILE PAVED CROSSING DETAIL**  
1:20

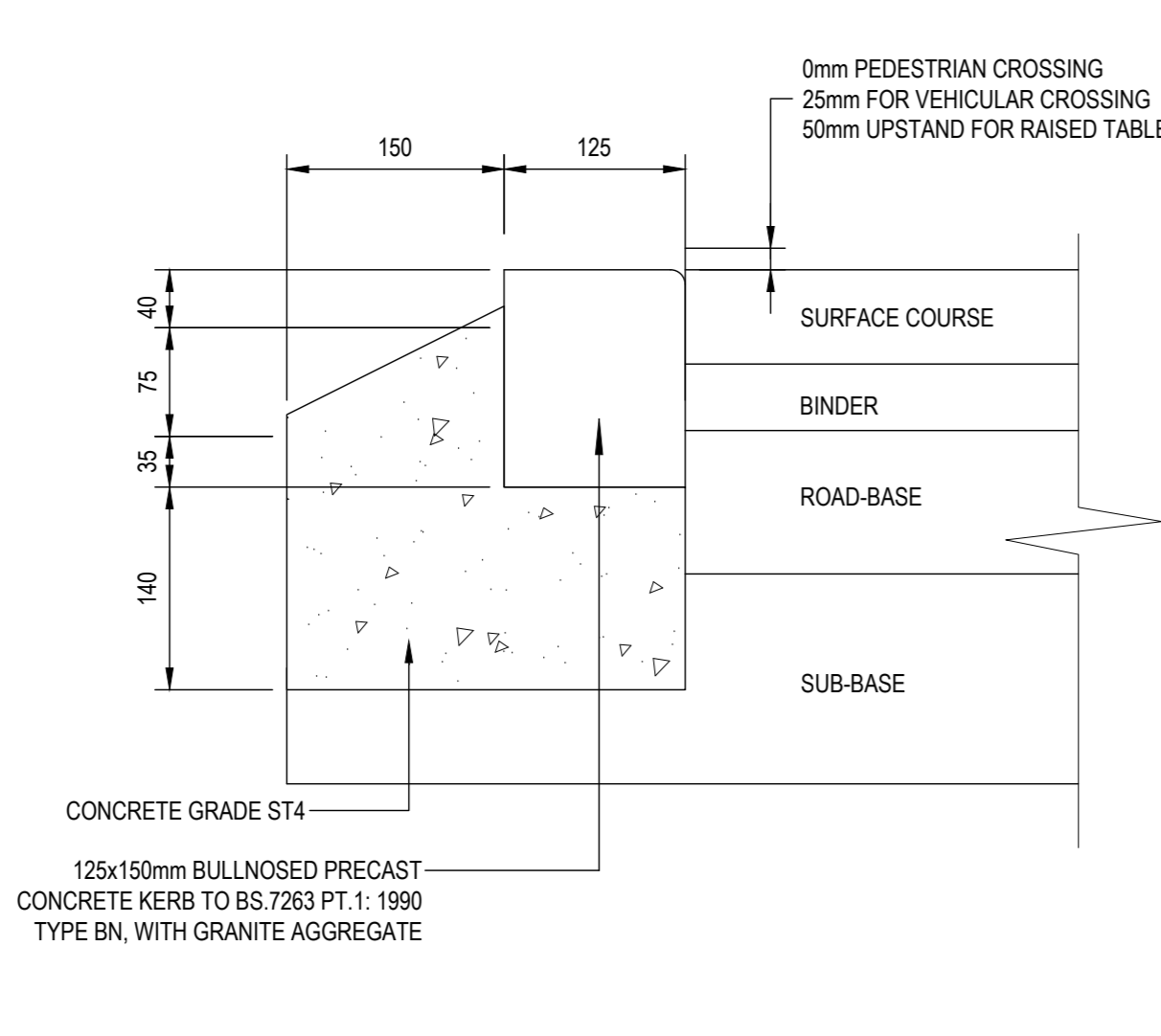


**PEDESTRIAN ISLAND 2m WIDE**  
1:25

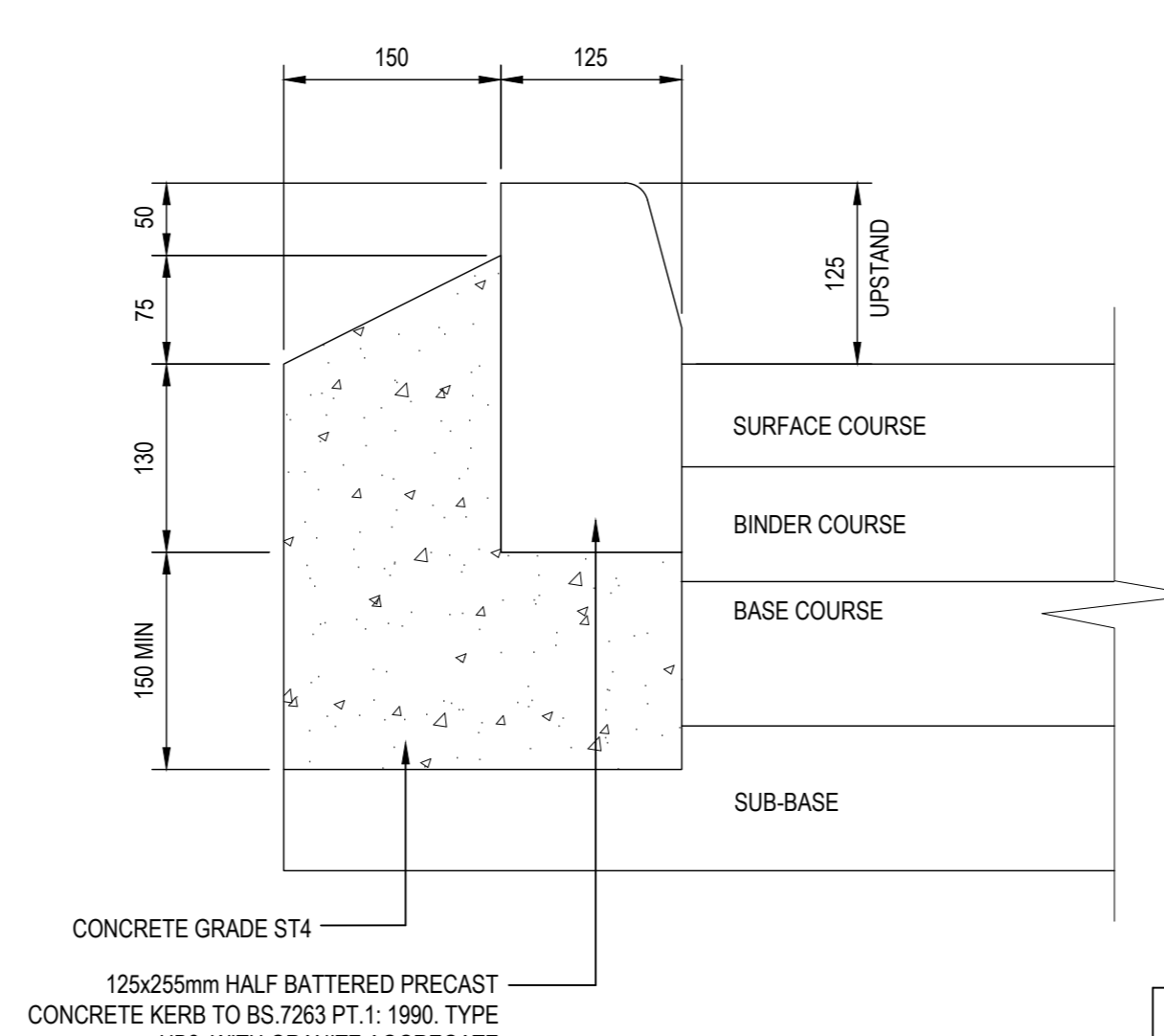
- NOTES:**
- THIS DRAWING IS TO BE READ IN CONJUNCTION WITH ALL OTHER RELEVANT DOCUMENTATION.
  - DO NOT SCALE FROM THIS DRAWING. USE ONLY PRINTED DIMENSIONS.
  - ALL DIMENSIONS ARE IN MILLIMETRES. ALL CHANGES, LEVELS AND COORDINATES ARE IN METRES UNLESS DEFINED OTHERWISE.
  - THE CONTRACTOR SHALL CHECK ALL EXISTING DIMENSIONS AND LEVELS ON SITE AND REPORT ANY ANOMALIES TO THE ENGINEER.
  - THIS DRAWING IS TO BE READ IN CONJUNCTION WITH THE PROJECT HEALTH & SAFETY FILE FOR ANY IDENTIFIED POTENTIAL RISKS.
  - MARKED UP DRAWINGS ARE TO BE PROVIDED TO THE ENGINEER UPON COMPLETION TO ENABLE PRODUCTION OF 'AS BUILT' DRAWINGS IN ACCORDANCE WITH CONSTRUCTION (DESIGN & MANAGEMENT) 2015 REGULATIONS (2.1).
  - FOR CARRIAGEWAY AND FOOTWAY CONSTRUCTION DETAILS REFER TO PBA DRAWINGS 32765/2004/700, 701, 702 & 703.



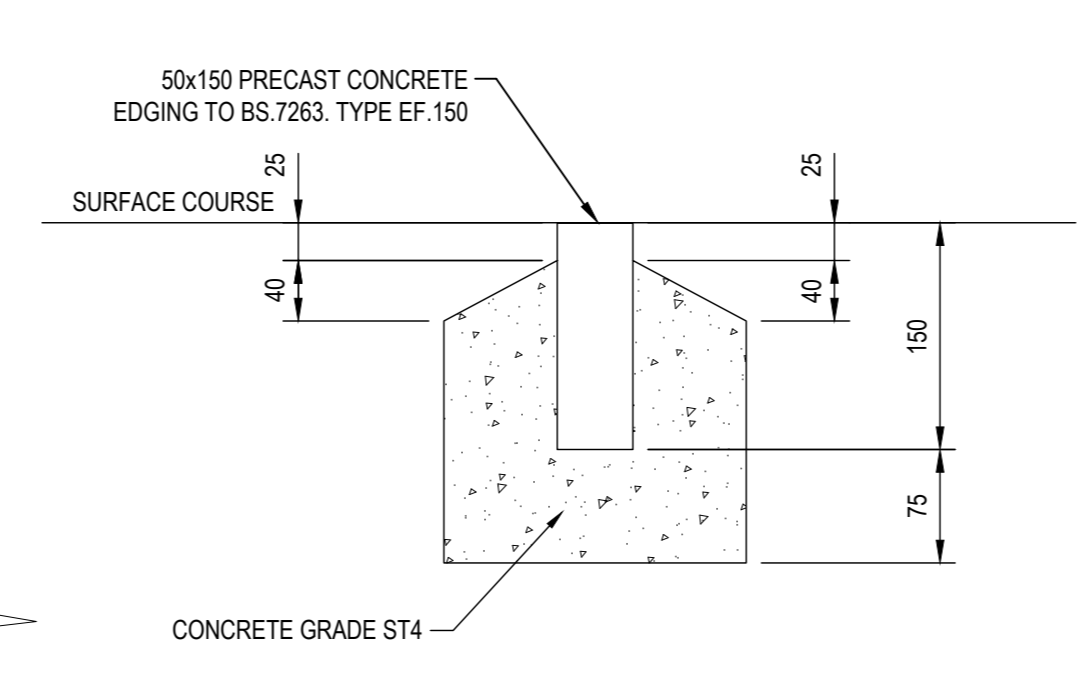
**45° SPLAY KERB**  
SCALE 1:5



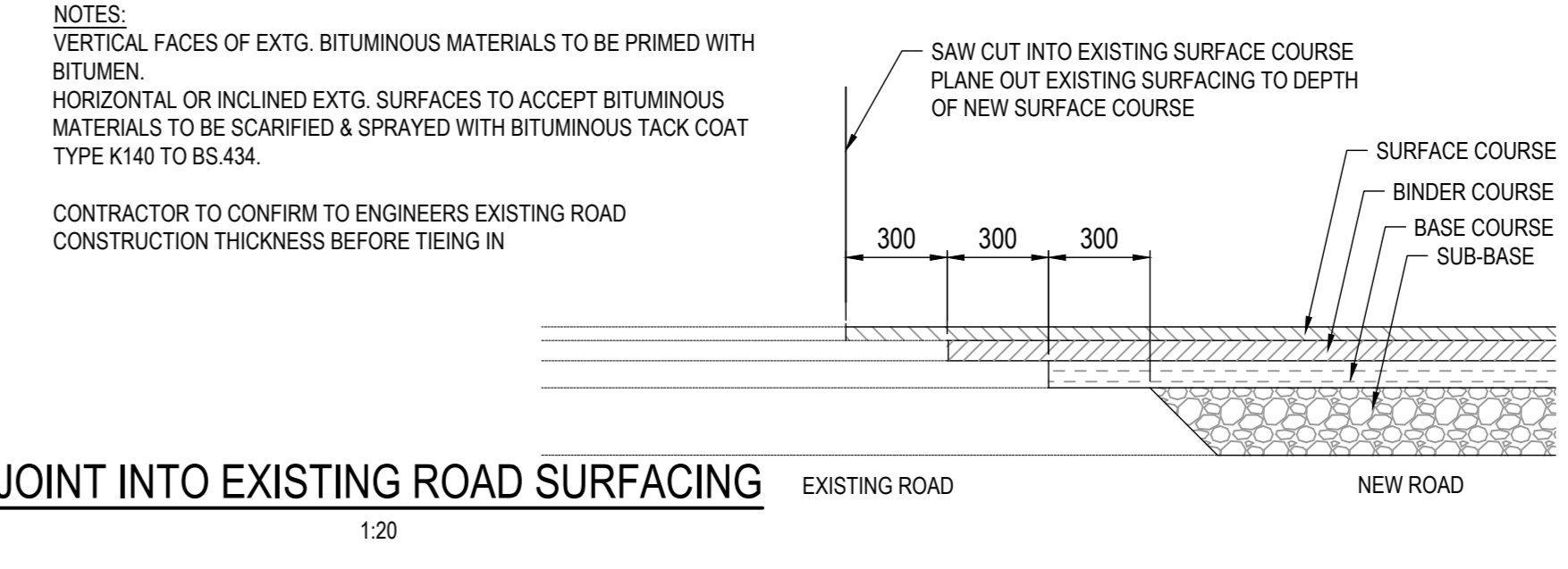
**HALF HEIGHT BULLNOSE KERB (BN1)**  
SCALE 1:5



**HALF BATTER KERB (HB2)**  
SCALE 1:5

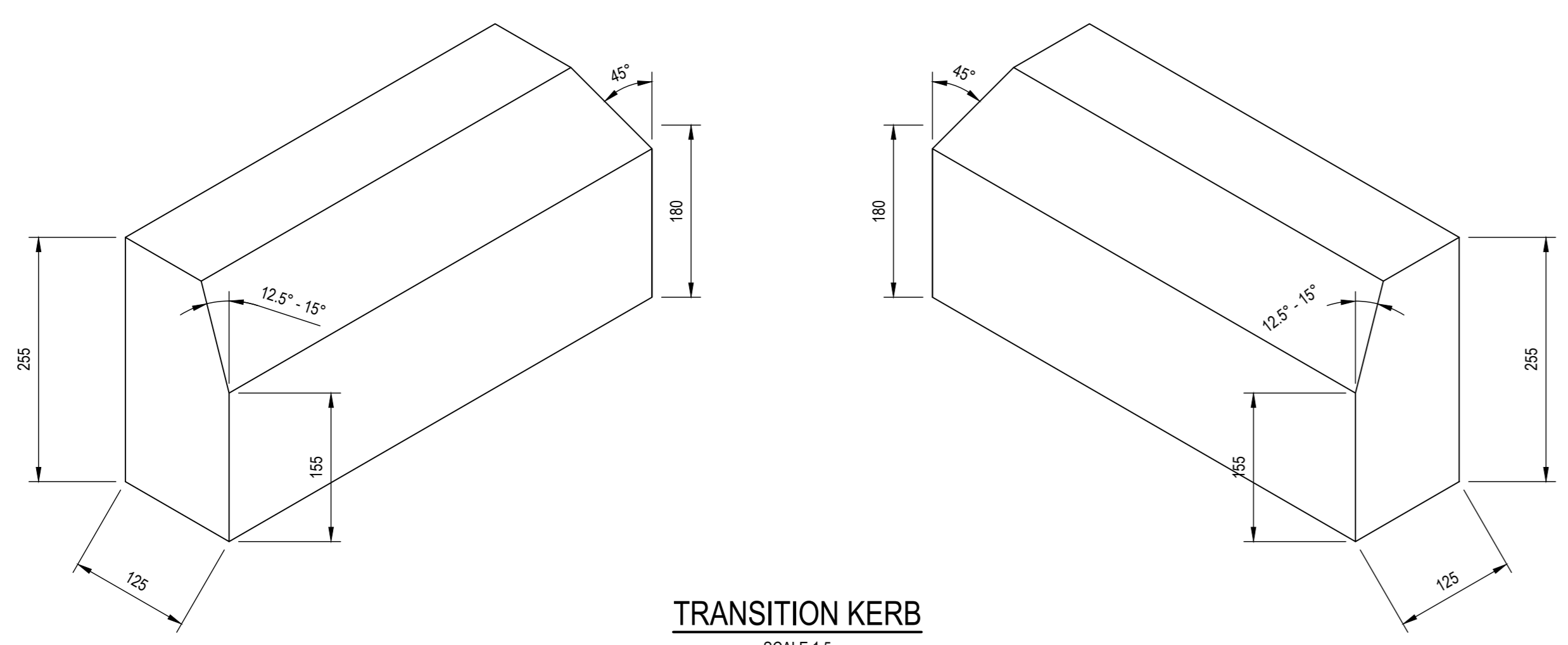


**EDGING DETAIL (EF150)**  
SCALE 1:5

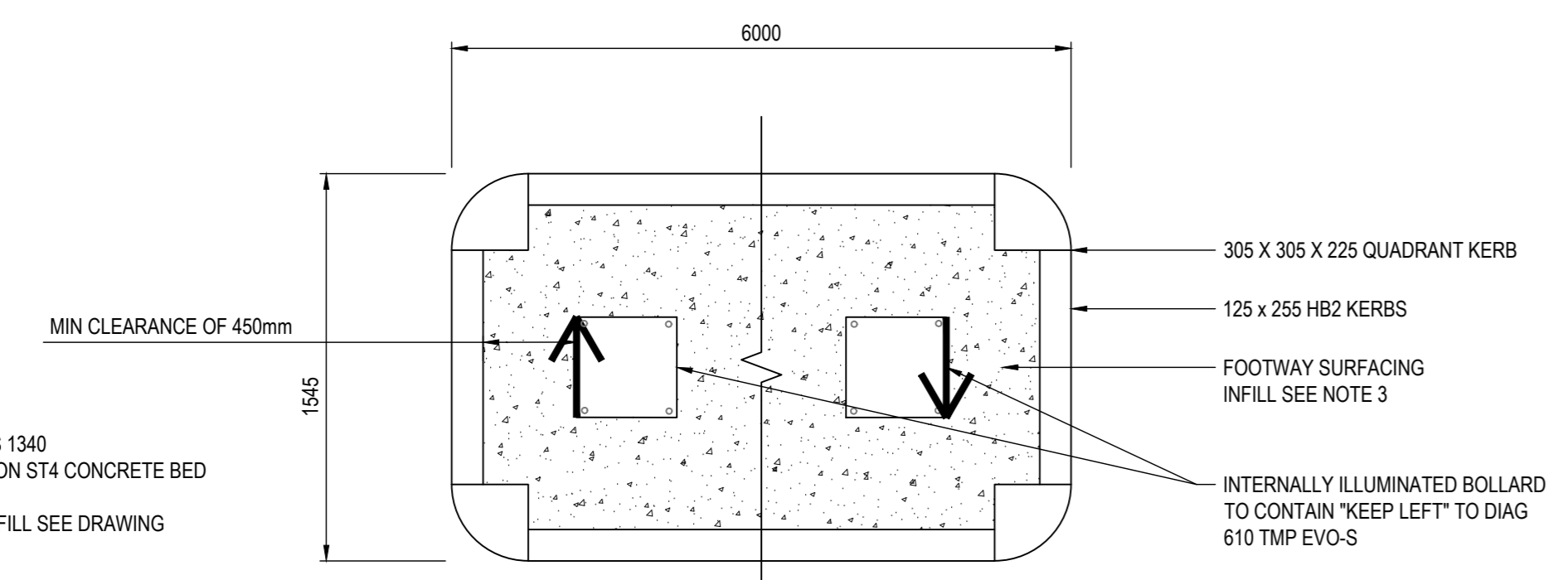


**JOINT INTO EXISTING ROAD SURFACING**  
SCALE 1:20

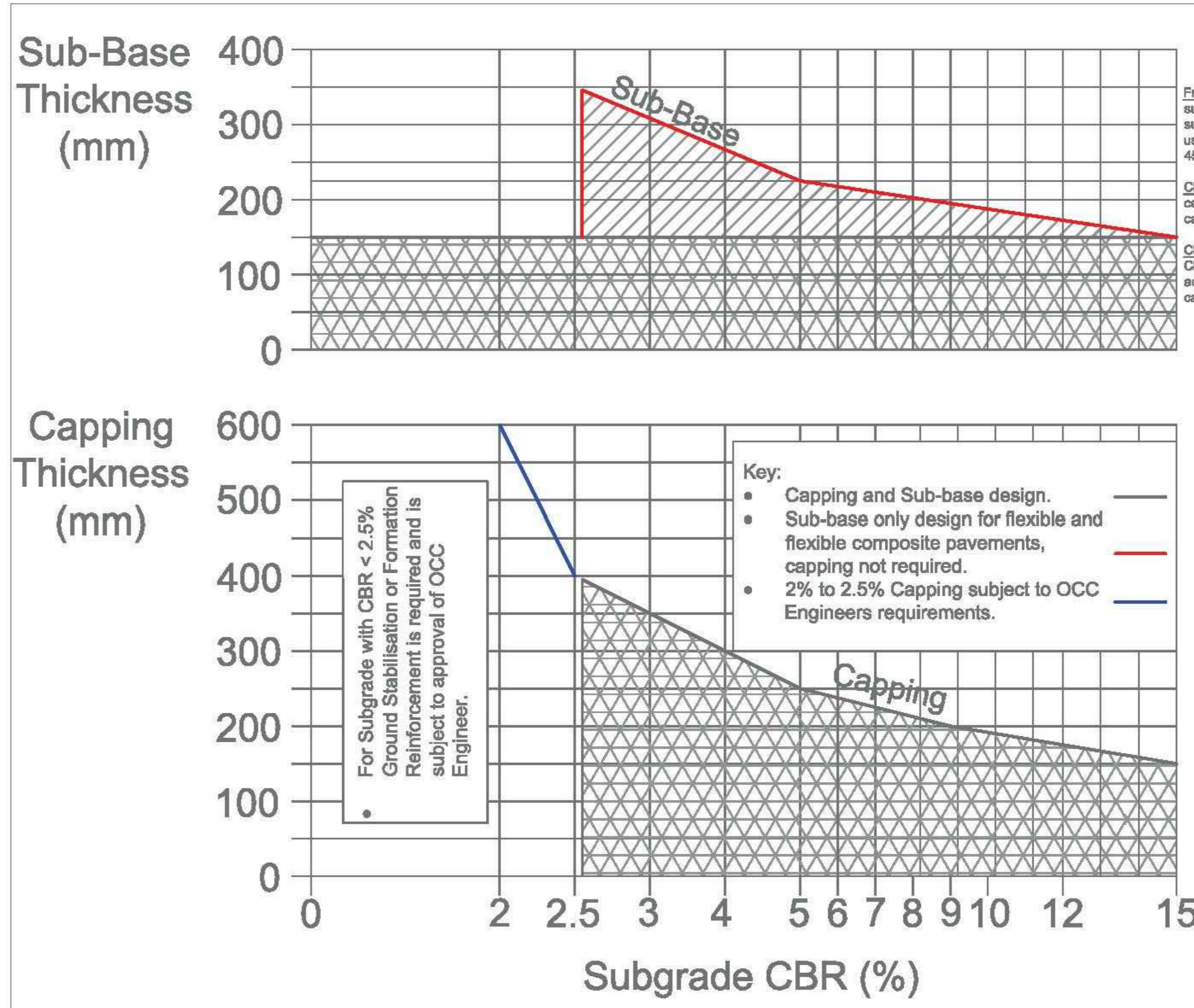
**TECHNICAL APPROVAL DRAWING:**  
THIS DRAWING IS ISSUED FOR TECHNICAL APPROVAL AND MUST NOT BE READ AS A CONSTRUCTION ISSUE.  
IT INDICATES DESIGN INTENT ONLY AND IS SUBJECT TO AMENDMENT PRIOR TO CONSTRUCTION ISSUE.



**TRANSITION KERB**  
SCALE 1:5



**REFUGE ISLAND 1.545m WIDE**  
1:25



**Notes**

**Frost Susceptible Sub-grade** - Where the sub-grade is frost susceptible a non-frost susceptible capping or sub-base layer must be used to achieve a minimum total construction of 450mm.

**CBR Testing** - CBR's should be taken at 30m cantrea and lowest CBR used for determining the capping and sub-base thickness requirements.

**CBR Testing for Plastic Soils** - Plastic soils (i.e. Clay) must be tested fully saturated to obtain an accurate CBR. Laboratory testing is required for carrying out saturated CBR testing.

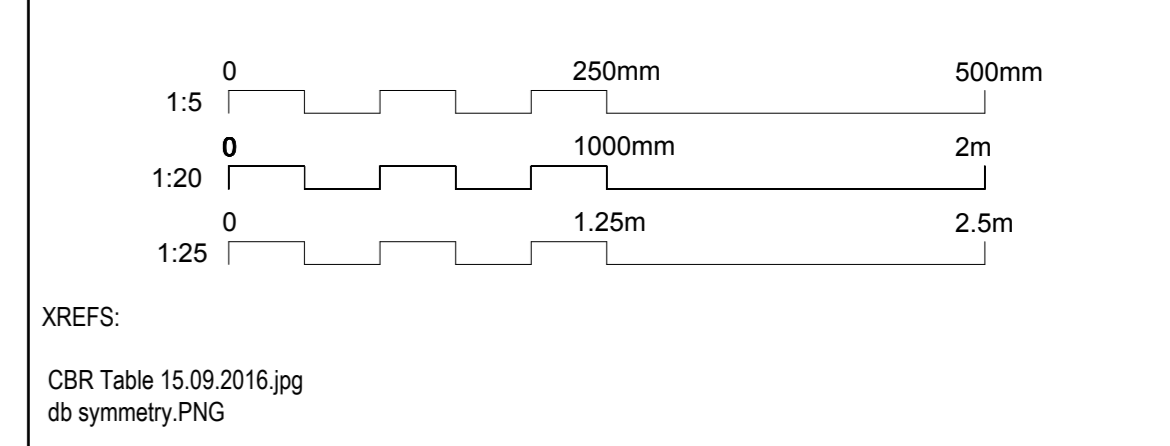
**Oxfordshire County Council**  
**Interim Standard CBR Table**

Revised: 15/09/2016

Intended for OCC internal usage only. Subject to change at any time.

**OXFORDSHIRE COUNTY COUNCIL**  
www.oxfordshire.gov.uk  
Working for you

**SCALE REFERENCE:**



XREFS:

CBR Table 15.09.2016.jpg  
db symmetry.PNG

Mark	Revision	Date	Drawn	Chkd	Appd
D	LAYOUT REVISED FOLLOWING OCC'S S278 COMMENTS	07.03.17	JSt	AF	AF
C	CBR TABLE ADDED & BULLNOSE KERB UPSTAND AMENDED	20.02.17	SB	AF	AF
B	REFUGE ISLAND ADDED	18.07.16	SAB	AF	AF
A	TRANSITION KERB AND 45° SPLAY KERB ADDED.	10.06.16	SAB	EJT	EJT

Scaling Note: Do not scale from this drawing. If in doubt, ask.

UTILITIES NOTE: The position of any existing public or private sewers, utility services, plant or apparatus shown on this drawing is believed to be correct, but no warranty is made by this Council. Other such plant or apparatus may also be present but not shown. The Contractor is therefore advised to undertake his own investigation where the presence of any existing sewers, services, plant or apparatus may affect his operations.

**FOR APPROVAL**

SYMMETRY PARK, BICESTER  
SECTION 278 APPLICATION  
PROPOSED STANDARD DETAILS  
SHEET 1

Client

db symmetry

**pba peterbrett**  
Officers throughout the UK and Europe  
www.peterbrett.com  
Peter Brett Associates LLP  
BIRMINGHAM  
Tel: 0121 633 2900

Date of 1st Issue	Designed	Drawn
31.05.16	SAB	SAB

AS Scale	Checked	Approved
AS SHOWN	AF	AF

Drawing Number	Revision
32765-2004-2600	D