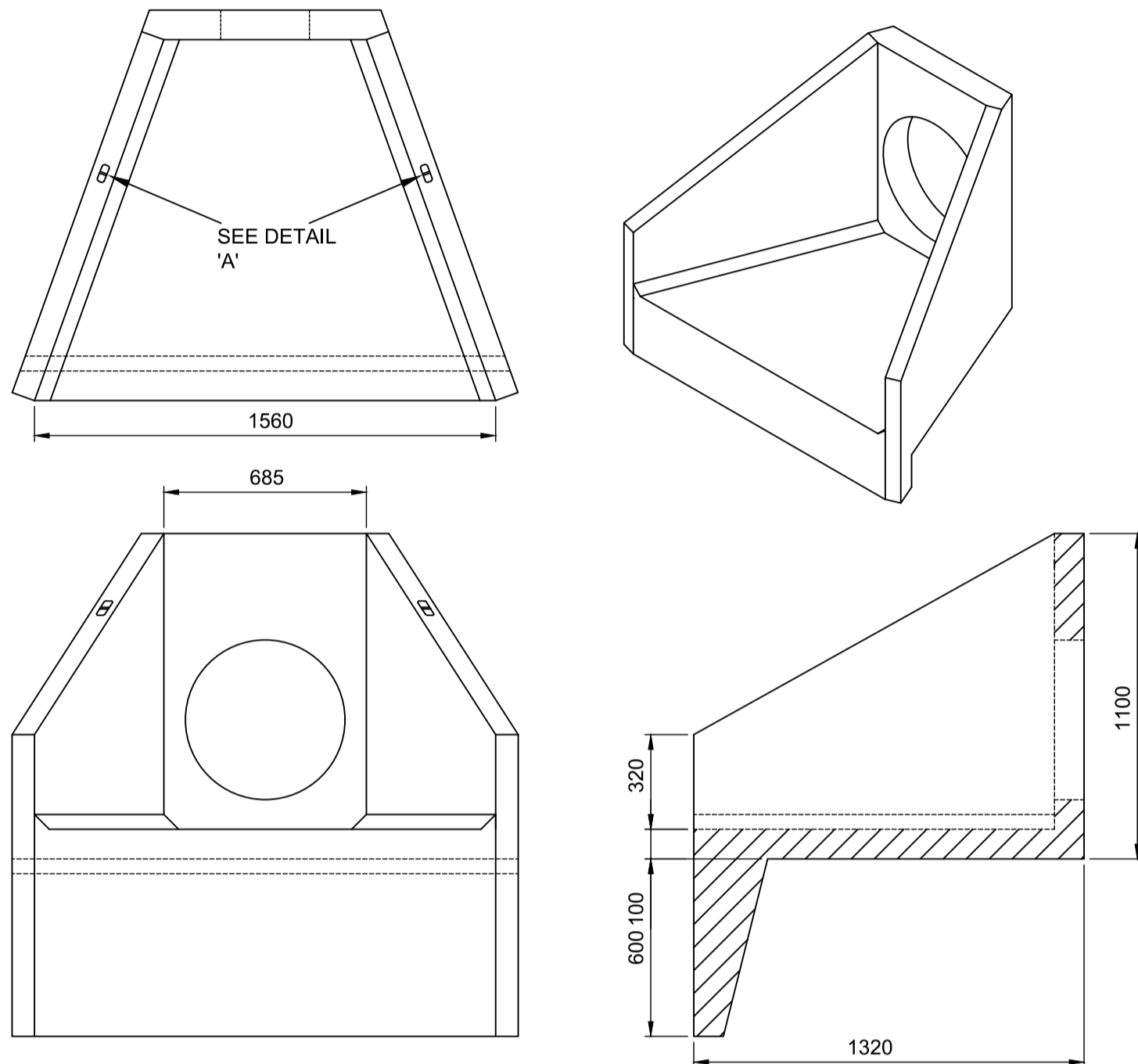


H7CA SPECIFICATION INFORMATION

- OPENING IN BACK ALL CAST TO SUIT OUTSIDE DIAMETER OF THE PIPEWORK
- INVERT LEVEL OF PIPE CAN BE SET TO YOUR SPECIFICATION
- H7CA SUITABLE FOR PIPEWORK UP TO 500mm ID TWIN WALL OR CLAY / 450mm ID CONCRETE



ALTHON H7CA HEADWALL INSTALLATION

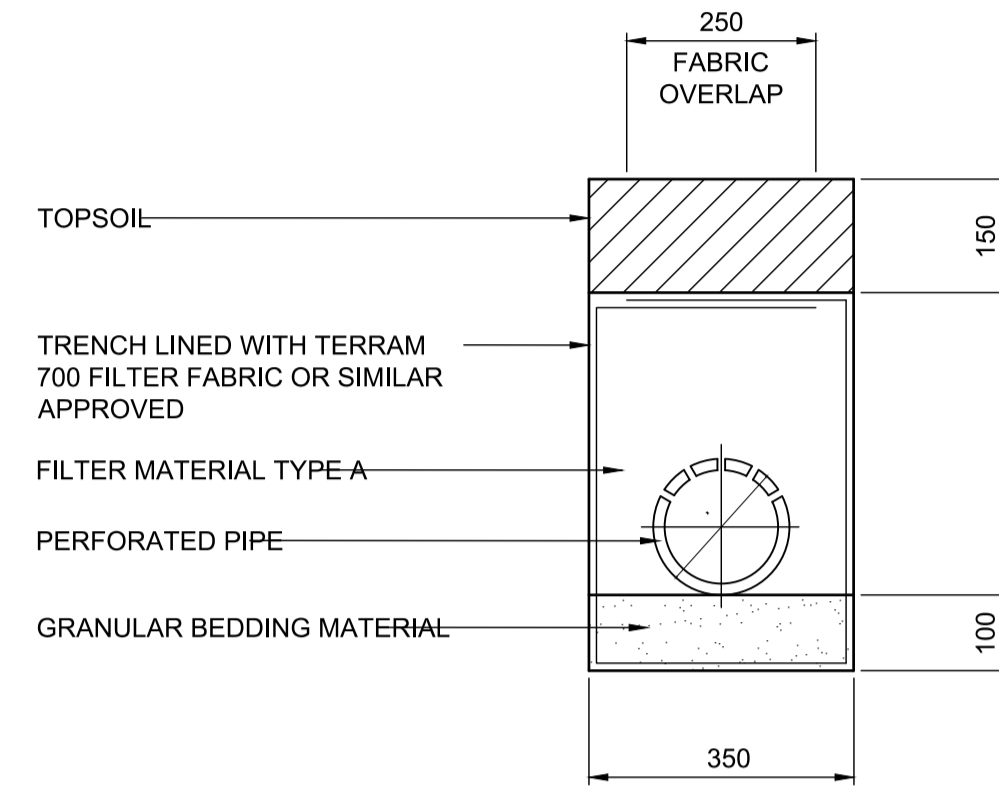
UNITS SHOULD BE BEDDED ON MINIMUM 100mm OF SEMI-DRY CONCRETE. SIT THE HEADWALL LEVEL OR WITH A SLIGHT FALL 1:50 FROM PIPE TO SPILL MOUTH. FOR FULL DETAILED INSTALLATION INSTRUCTIONS CONTACT ALTHON Ltd. 01603 488700

MATERIAL: REINFORCED CONCRETE
WEIGHT APPROXIMATELY 1375kg

ALL DIMENSIONS IN mm

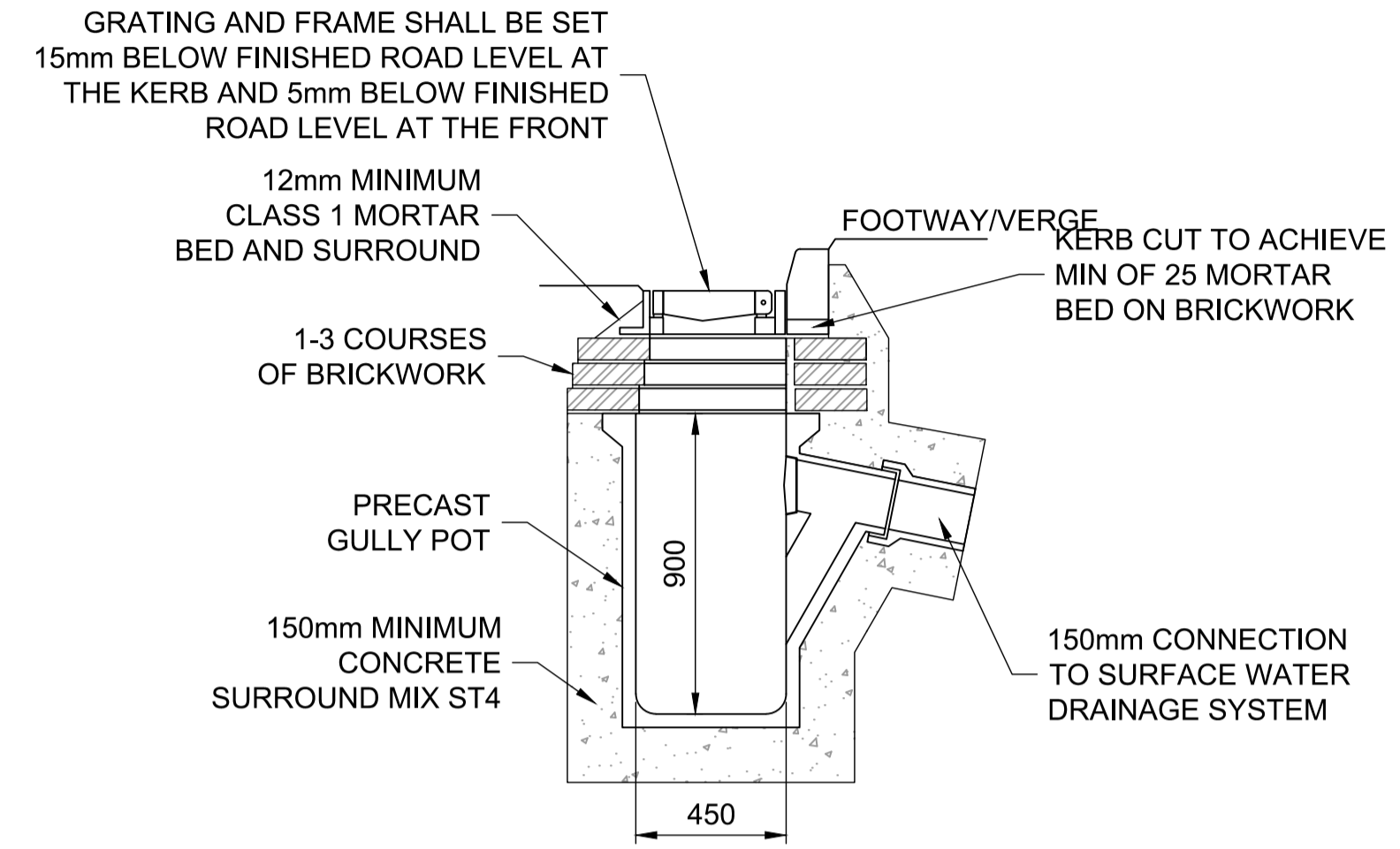
ALTHON HEADWALL H7C A

SCALE 1:5



LAND DRAIN

SCALE 1:10



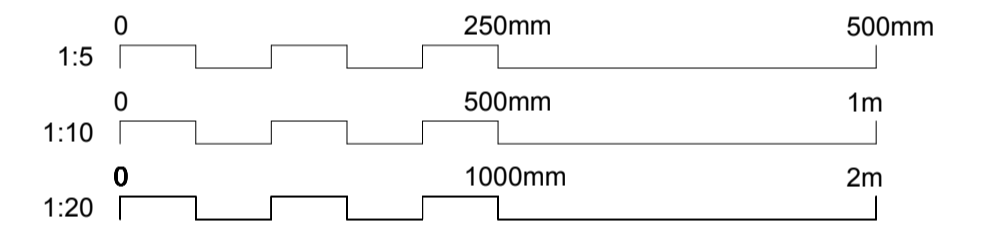
ROAD GULLY

SCALE 1:20

NOTES:

1. THIS DRAWING IS TO BE READ IN CONJUNCTION WITH ALL OTHER RELEVANT DOCUMENTATION.
2. DO NOT SCALE FROM THIS DRAWING. USE ONLY PRINTED DIMENSIONS.
3. ALL DIMENSIONS ARE IN MILLIMETRES, ALL CHAINAGES, LEVELS AND COORDINATES ARE IN METRES UNLESS DEFINED OTHERWISE.
4. THE CONTRACTOR SHALL CHECK ALL EXISTING DIMENSIONS AND LEVELS ON SITE AND REPORT ANY ANOMALIES TO THE ENGINEER.
5. THIS DRAWING IS TO BE READ IN CONJUNCTION WITH THE PROJECT HEALTH & SAFETY FILE FOR ANY IDENTIFIED POTENTIAL RISKS.
6. 'MARKED UP' DRAWINGS ARE TO BE PROVIDED TO THE ENGINEER UPON COMPLETION TO ENABLE PRODUCTION OF 'AS BUILT' DRAWINGS IN ACCORDANCE WITH CONSTRUCTION (DESIGN & MANAGEMENT);2015 REGULATIONS 22(J).

SCALE REFERENCE:



XREFS:

db symmetry.PNG

Mark	Revision	Date	Drawn	Chkd	Appd
B	CONCRETE BAG HEADWALL ADDED.	18.07.16	SAB	AF	AF
A	LAND DRAIN DETAIL ADDED.	10.06.16	SAB	EJT	EJT

SCALING NOTE: Do not scale from this drawing. If in doubt, ask.
UTILITIES NOTE: The position of any existing public or private sewers, utility services, plant or apparatus shown on this drawing is believed to be correct, but no warranty to this is expressed or implied. Other such plant or apparatus may also be present but not shown. The Contractor is therefore advised to undertake his own investigation where the presence of any existing sewers, services, plant or apparatus may affect his operations.

Drawing Issue Status: **FOR APPROVAL**

**SYMMETRY PARK, BICESTER
SECTION 278 APPLICATION
PROPOSED STANDARD DETAILS
SHEET 2**

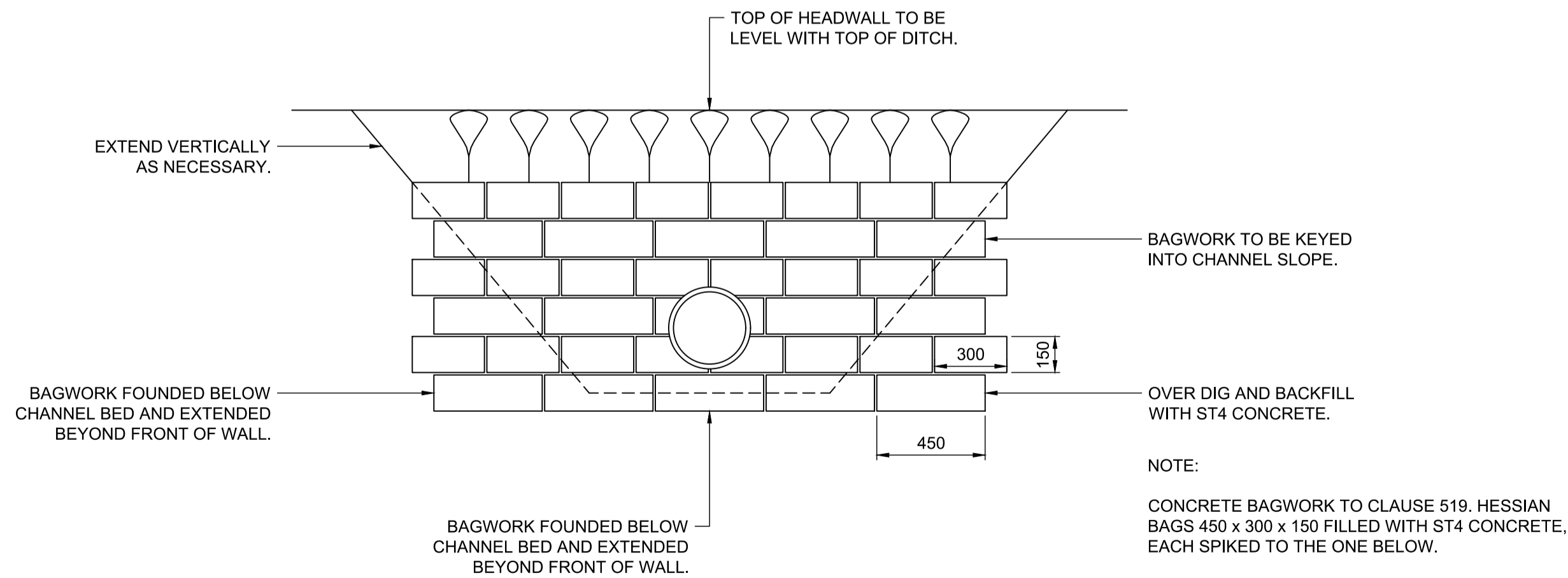
Client		
db symmetry		
Date of 1st Issue	Designed	Drawn
31.05.16	SAB	SAB
A1 Scale	Checked	Approved
AS SHOWN	AF	AF
Drawing Number	Revision	
32765-2004-2601	B	

Client: **pba peterbrett**
Offices throughout the UK and Europe
www.peterbrett.com
© Peter Brett Associates LLP
BIRMINGHAM
Tel: 0121 633 2900

TECHNICAL APPROVAL DRAWING:
THIS DRAWING IS ISSUED FOR TECHNICAL APPROVAL AND MUST NOT BE READ AS A CONSTRUCTION ISSUE. IT INDICATES DESIGN INTENT ONLY AND IS SUBJECT TO AMENDMENT PRIOR TO CONSTRUCTION ISSUE.

CONCRETE BAG HEADWALL

SCALE 1:20



NOTE:
CONCRETE BAGWORK TO CLAUSE 519. HESSIAN BAGS 450 x 300 x 150 FILLED WITH ST4 CONCRETE, EACH SPIKED TO THE ONE BELOW.