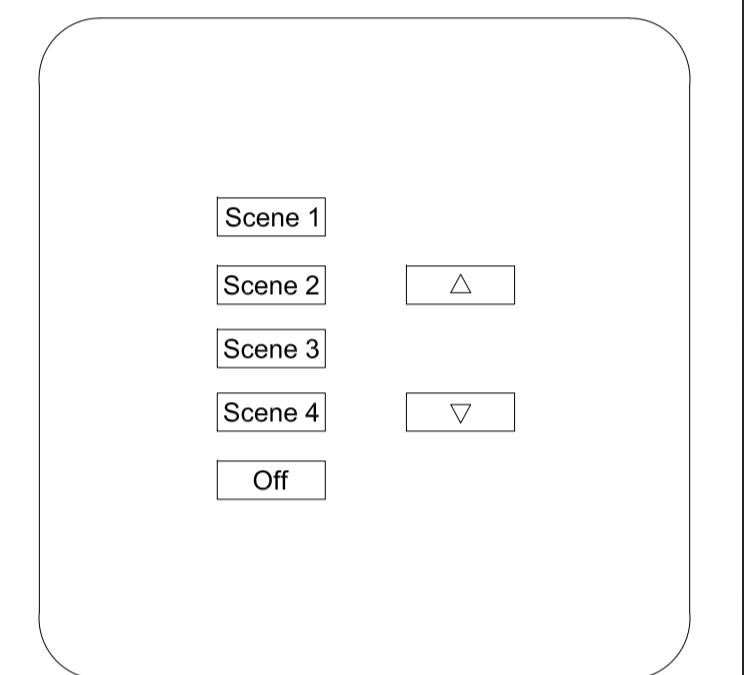
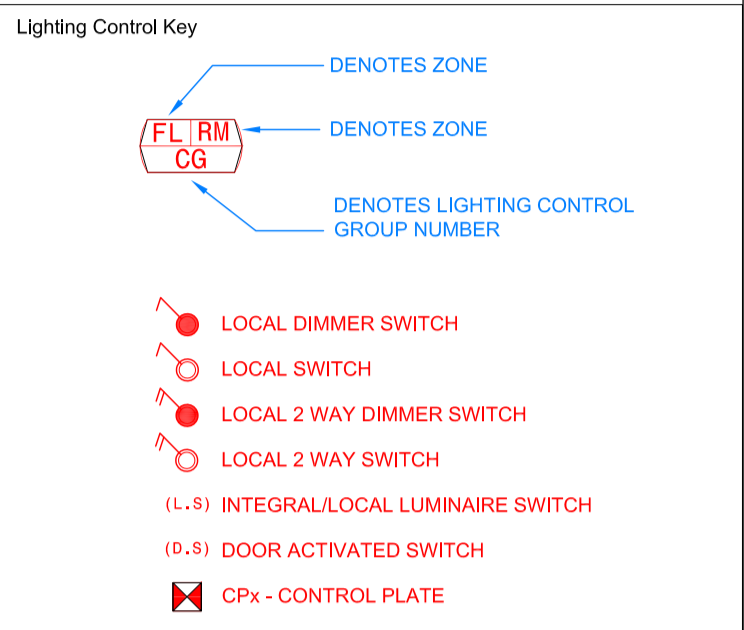


- dpa Notes
- Do not scale this drawing. Figured dimensions must be used. Any detail or dimensional conflicts should be referred to dpa lighting consultants for clarification. Scaled dimensions should not be taken from this drawing. All dimensions to be checked on-site.
  - These drawings are intended to show design intent. Refer to appropriate dpa documents for further details.
  - Where appropriate refer to associated lighting detail drawings for the exact location of luminaires.
  - All equipment supplied by the Installing Contractor shall comply with the relevant regulations, and be capable of installation in accordance with all statutory wiring regulations. All equipment shall comply with all statutory and local authority requirements.
  - Final locations of lighting control plates, lighting (5 Amp) socket outlets and dimmer racks to be co-ordinated with Interior Designer, M&E Consultant, Operator & Client. Exact locations to be agreed on-site and approved by Operator/Client.
  - Installing Contractor to ensure that all drivers, transformers and control gear are compatible with the lighting control system dimmers.
  - Access for maintenance and installation for all luminaire types and lighting equipment is required and should be coordinated by the contractor.



CP01-CP15 - TYPICAL 7 BUTTON RADIO CONTROL WALL KEYPAD 4 SCENES RAISE LOWER AND OFF.

Rev	Description	Date	Drawn	Checked
E	Exterior tree lighting added	10/05/17	AR	ICL
D	Revision D	05/05/17	AR	ICL
C	Wall lights added in W.C.s	07/04/17	DS	ICL
B	Revision B	19/10/16	KF	ICL
A	Revision A	05/10/16	AR	ICL
-	First Issue	29/09/16	RN	ICL

**dpa** lighting consultants  
 014 Church Studios  
 Cotton, Deddington  
 Oxfordshire  
 OX15 0PE, U.K.  
 Tel: +44 (0) 1869 337412  
 Fax: +44 (0) 1869 338891  
 dpa@dpalighting.com  
 www.dpalighting.com

Client:  
**Jan and Diana Thompson**

Project:  
**The Long House, Sibford Ferris**

Drawing Title:  
**Ground Floor  
 Low Level  
 Lighting Layout**

Drawing No:  
**C6937-GF-LL-01**

Revision: E Scale: 1:50@A1 Base Drawings: 14-062-GA Ground Floor Plan-160819