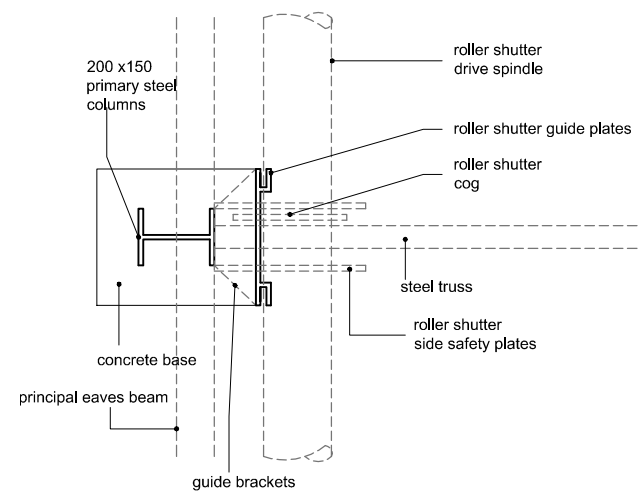


Existing section (roller shutter gear and guides)



Existing plan (roller shutter gear and guides)

Existing Roller Shutter Gear and Guides

rev	date	initials	revision	checked
*	08/02/17	SC	REVISION	***

Planning

The drawings copyright. All rights reserved by Copyright of the Copyright. Design and Patents Act 1988 have been granted to Gaunt Francis Architects. No part of this drawing may be reproduced without the prior written consent of Gaunt Francis Architects.

Client
Bicester Heritage

Project
Bicester Heritage

Title
Existing Roller Shutter Gear and Guides
Building 129 & 131

Drawing No	Rev	Drawn	Date	Scale
12068 / DD 700	*	SC	08/02/2017	1:20 @ A3

GAUNT FRANCIS
Architects
London & Cardiff
31 Southampton Row | London WC1B 9HU | T: 020 7629 3993 | W: GauntFrancis.co.uk

1:20068-Bicester AT 129 & 131 - PROJECT WORK DRAWINGS - BILED DWG/USE WIDE PLANNING