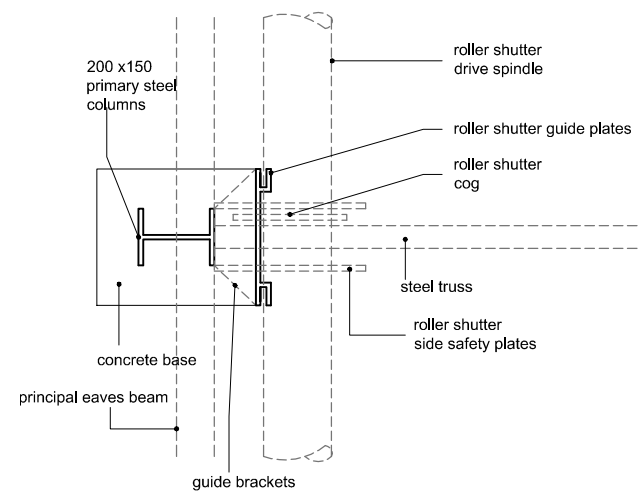


Existing section (roller shutter gear and guides)



Existing plan (roller shutter gear and guides)

rev	date	initials	revision	checked
*	08/02/17	SC	REVISION	***

Planning

The drawings copyright. All rights reserved by Copyright of the Copyright. Design and Patents Act 1988 have been granted to the architects by the Institution of Architects. No part of this drawing shall be reproduced or transmitted in any form or by any means electronic or mechanical, including photocopying, recording, or by any information storage and retrieval system, without the prior written permission of the copyright owner.

Client
Bicester Heritage

Project
Bicester Heritage

Title
Existing Roller Shutter Gear and Guides
Building 129 & 131

Drawing No	Rev	Drawn	Date	Scale
12068 /DD 700	*	SC	08/02/2017	1:20 @A3

GAUNT FRANCIS
Architects
London & Cardiff
31 Southampton Row | London WC1B 9HU | T: 020 7629 3993 | W: GauntFrancis.co.uk

Existing Roller Shutter Gear and Guides