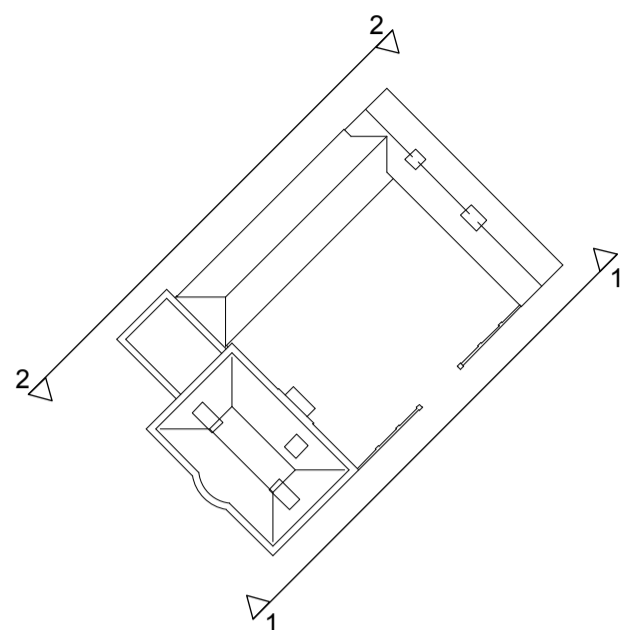


General Notes:

1. This drawing is to be read in conjunction with other consultants drawings
2. Check site conditions prior to commencement of work
3. Discrepancies must be reported directly to the Architect
4. This drawing may be issued in colour, and may be a non-standard paper size



Key

- - - - - Demolitions
- Pitched Slate Roof
- Stone
- Brick
- Proposed Trees

Materials

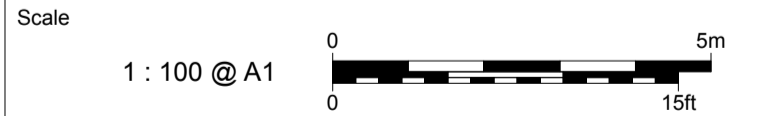
Walls - Coursed oolitic limestone with ashlar detailing and multi red bricks with lime mortar pointing to lower wing.

Roof - Slate

Windows/Doors - Double glazed painted timber

Rain Water Goods - Painted cast iron

Rev	Date	Notes	Drawn
A	12.12.14	Planning Issue	HM

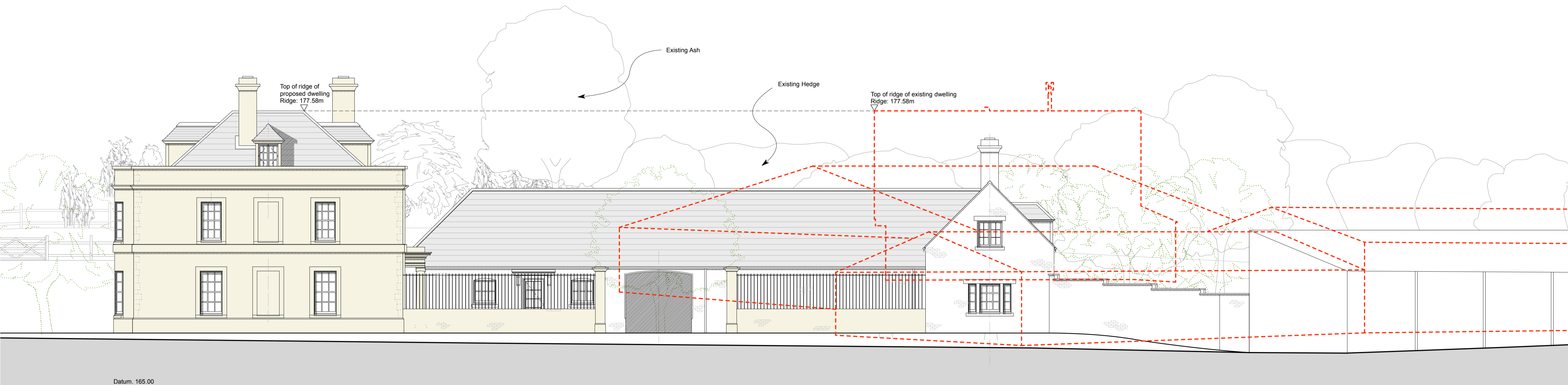


QA Serial Number 19385

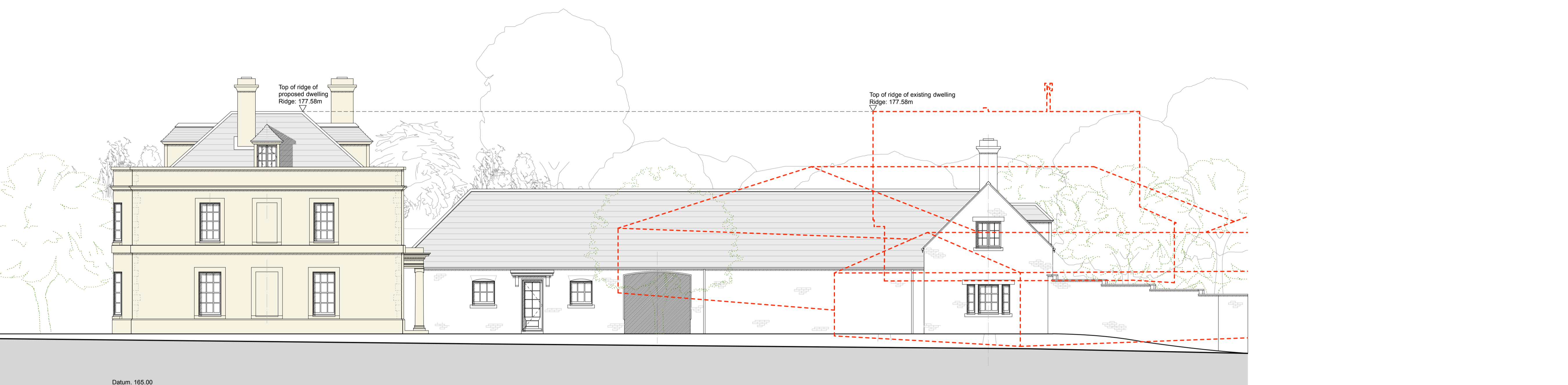
YIANGOU
YIANGOU ARCHITECTS

Oyer House, 3 Oyer Street
Cirencester, Glos, GL7 2PP
t 01285 888 150
e arch@yiangou.com
www.yiangou.com

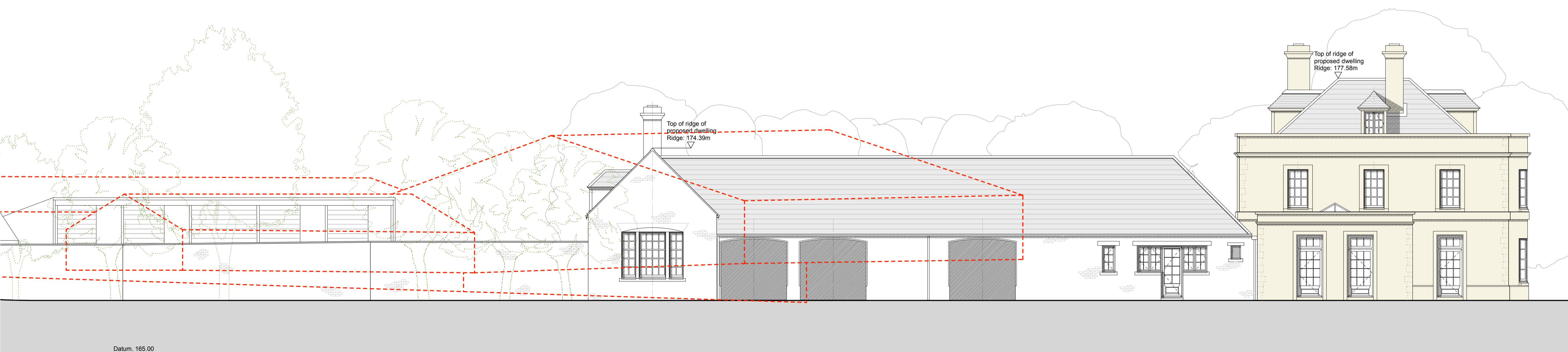
Client	Mr & Mrs. Besterman
Project Address	Muddle Barn Farm, Sibford Gower, Oxon, OX15 5RY
Project Description	Replacement Dwelling
Drawing Title	Proposed Site Elevations sh1 of 3
Drawing No.	1759.117
Rev.	A



1: South East Elevation



1: South East Courtyard Elevation



2: North West Elevation