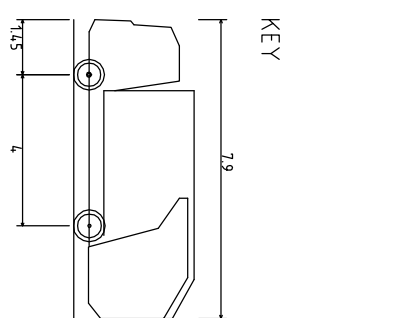


NOTES
 1. 50/101 SCALE FROM THIS DRAWING. USE FIGURED DIMENSIONS ONLY.



D832 Refuse Vehicle
 Overall Length 7.900m
 Overall Width 1.750m
 Overall Body Height 3.182m
 Min. Body Ground Clearance 0.388m
 Lock to Lock Time 6.005
 Kerb to Kerb Turning Radius 9.625m

P832 Private Car
 Overall Length 4.223m
 Overall Width 1.750m
 Overall Body Height 1.629m
 Max. Trunk Width 1.005
 Kerb to Kerb Turning Radius 5.189m

Issue	Description	Date
02	PARKING LAYOUT REVISED	02/09/15
01	FIRST ISSUE	12/04/15

Status
PRELIMINARY

Original Size	Author	Checker	Approver
A1	F. WILLIAMS	S.A.DAVIES	S.A.DAVIES

Grid 0.5
 © Copyright reserved

Client
adomnion
 Hyder Consulting (UK) Limited
 HCL House
 St. Mellons Business Park
 Central Road, St Mellons
 CF3 0EY
 Tel: +44 029 20928700
 Fax: +44 029 20928222

Project
BICESTER ECO DEVELOPMENT EXEMPLAR SITE
 Title
COMMERCIAL CENTRE VEHICLE ACCESSIBILITY AND PARKING

Drawing No. **7704** - Project No. **UA001881** - Issue **02**

This product includes mapping data licensed from Ordnance Survey. © Crown copyright and database right 2013. License number 01003 6193. Original mapping has been amended and the accuracy of any information shown is no longer the responsibility of Ordnance Survey.