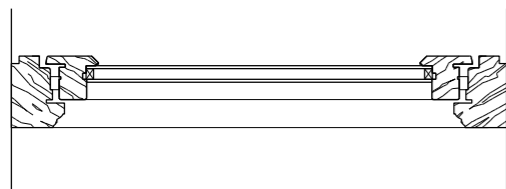


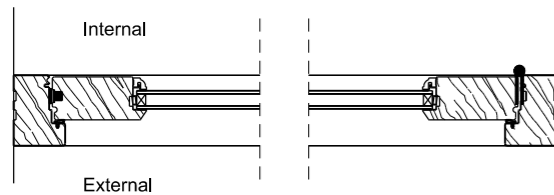
Typical section through casement window

Types A, B, C, D

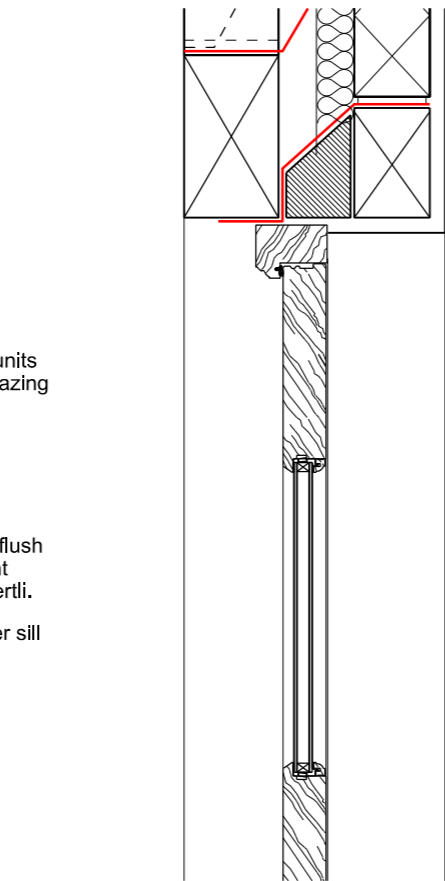


Typical plan section through casement window

Types A, B, C, D

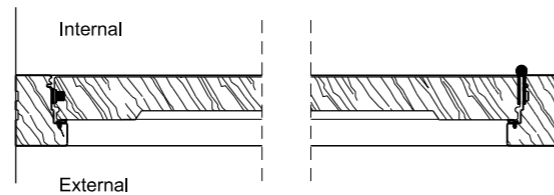


Typical plan section through inward opening glazed door

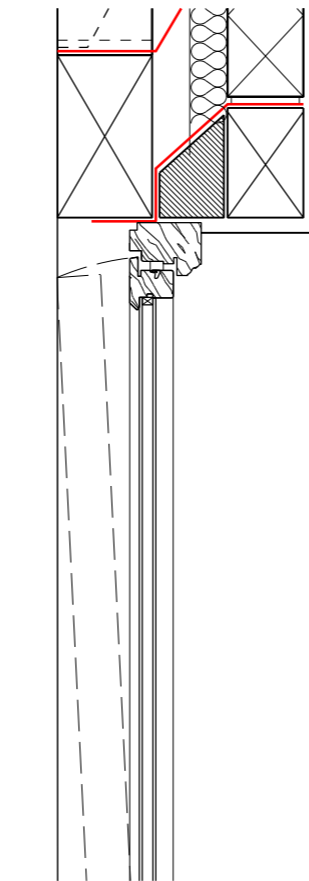


Typical section through External door

Types F, G, I & J

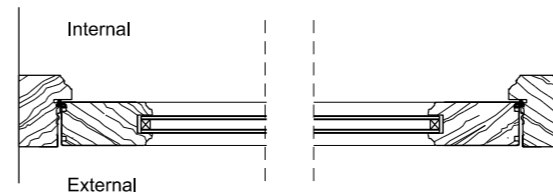


Typical plan section through inward opening timber door

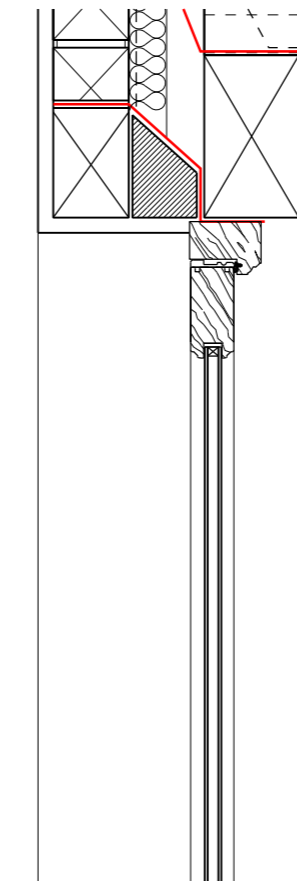


Typical section through full height, tilt/vent window

Type F

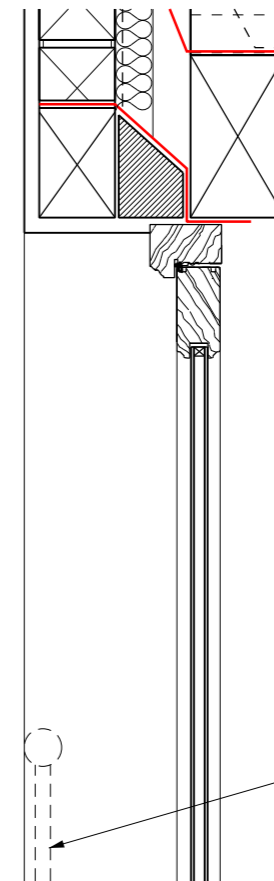


Typical plan section through outward opening door - Type H



Typical section through inward opening doors on first floor

Type E



Typical section through outward opening doors

Type H

New windows to match style, colour & recess of existing window to kitchen extension

Please see enclosed frame sections from the manufacturer.

Internal balustrade to first floor

P5	Sections added	07/04/17
P4	Tilting window amended	06/04/17
P3	Door section added	05/04/17
P2	Glazing note added	31/03/17
Rev	Description	Date

Partner	Drawn	Date
BWD	HA	June 2016

Project  
**The Lion,  
 Wendlebury  
 New Accommodation**

Title  
**Typical Window & Door  
 Details**

Drawing Reference  
**16030-OA-B1-80-D**

Drawing No	Revision	Status
080	P5	S0

Scale  
 1:10 @ A3

OXFORDARCHITECTS  
 Bagley Croft, Hinksey Hill, Oxford, OX1 5BS  
 T. 01865 329100 F. 01865 326822 oxford-architects.com  
 The Workshop, 254 Southmead Road, Bristol, BS10 5EN  
 T. 0117 9581500 F. 0117 9581501 oxford-architects.com