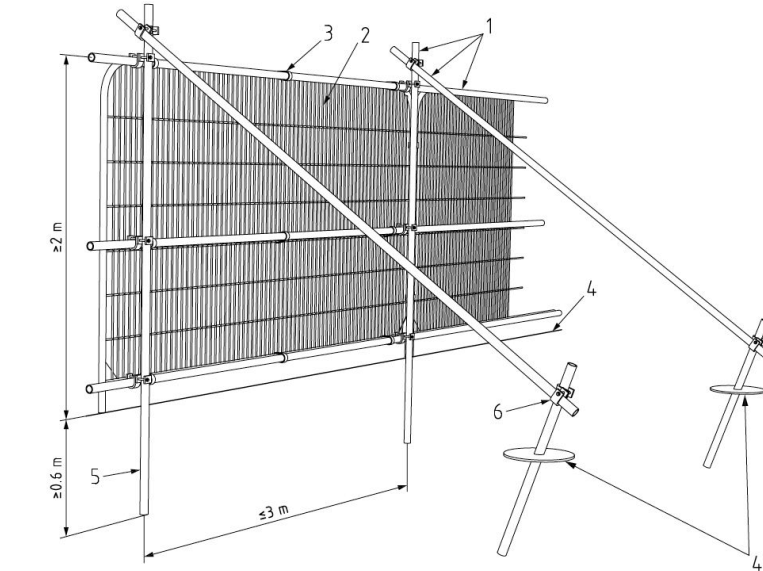




BS:5837:2012 Figure 2 Default specification for protective barrier



- Key**
- 1 Standard scaffold poles
 - 2 Heavy gauge 2 m tall galvanized tube and welded mesh infill panels
 - 3 Panels secured to uprights and cross-members with wire ties
 - 4 Ground level
 - 5 Uprights driven into the ground until secure (minimum depth 0.6 m)
 - 6 Standard scaffold clamps

For more details refer to BS:5837:2012 'Trees in relation to design, demolition and construction - Recommendations' p.20

KEY BS 5837 : 2012 Categories

- Tree Category A - High Quality
- A Category - Hedgerow, Group, Woodland
- Tree Category B - Moderate Quality
- B Category - Hedgerow, Group, Woodland
- Tree Category C - Low Quality
- C Category - Hedgerow, Group, Woodland
- Tree Category U - Unsuitable for Retention
- Root Protection Area to BS 5837:2012
- Shrub Mass / Offsite Tree
- Tree / Hedgerow to be Removed
- Tree Protection Barrier to BS 5837:2012
- Temporary Ground Protection to BS 5837:2012
- All weather information notices to read 'Construction Exclusion Zone - Keep out' A2 in size. To be attached to tree protection barriers

Arboricultural impact assessment information

- All tree protection fencing to be installed before any demolition or construction works commence.
- Tree protection fencing to be default type (with scaffold poles) as shown in figure 2 BS.5837:2012 page 20.
- Temporary ground protection to be installed prior to any construction or demolition works. This must comprise a cellular confinement type such as Cellweb or similar approved, installed to BS.5837:2012 recommended guidelines.
- Facilitation pruning of trees to the south of building 103 to give 2m clearance of the structure.

Note: The original of this drawing was produced in colour - a monochrome copy should not be relied upon.

Revisions:
First Issue- 06/07/2016 shg

Tree Retention, Removal and Protection Plan
Buildings 103 and 315,
Heyford Park

Client: Dorchester Group
DRWG No: D.0341_105
Drawn by: shg
Date: 21/07/2016
Scale: 1:500 A2

Sheet No: _
Approved by:
Pegasus
Environment

