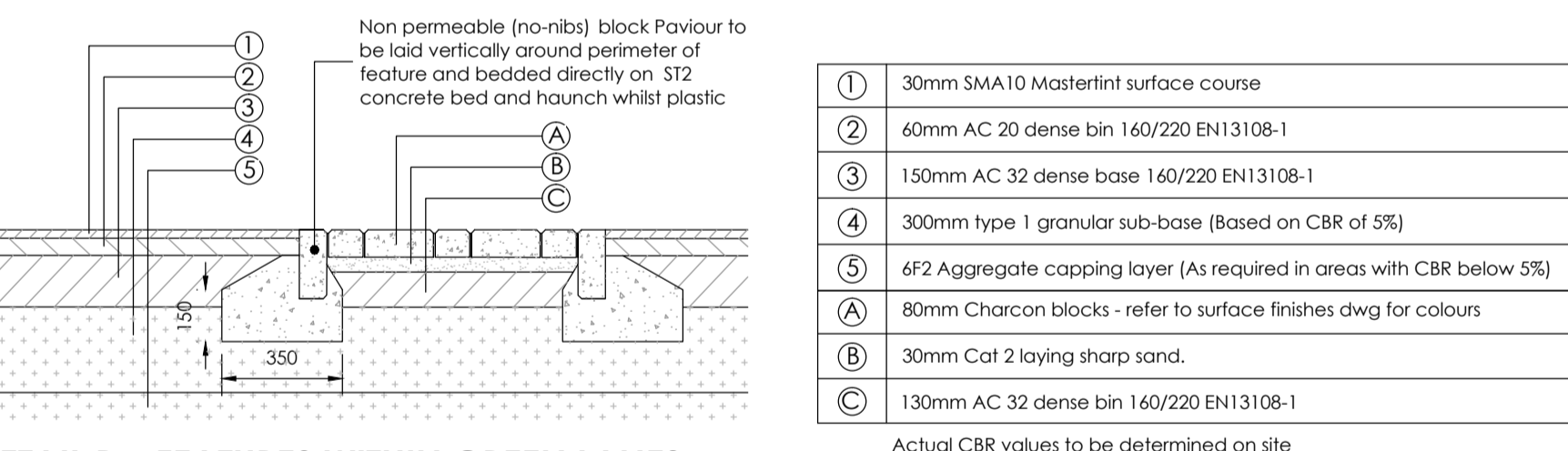
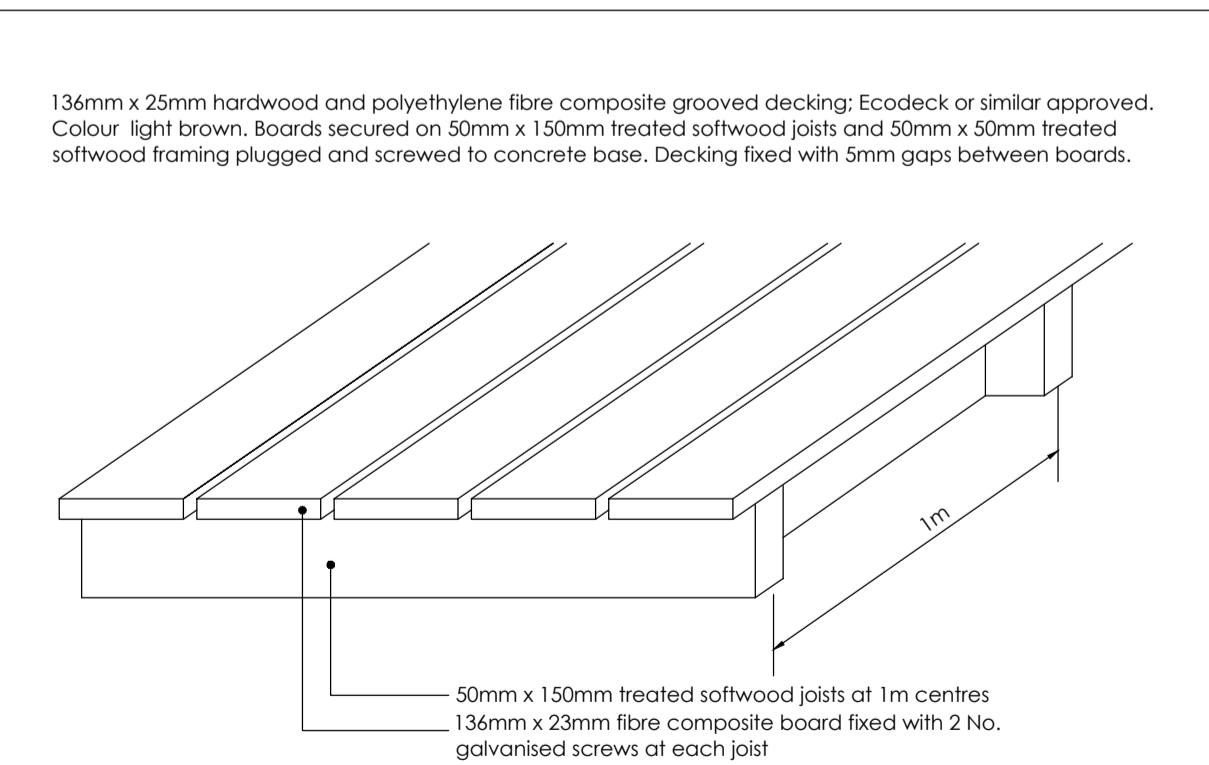


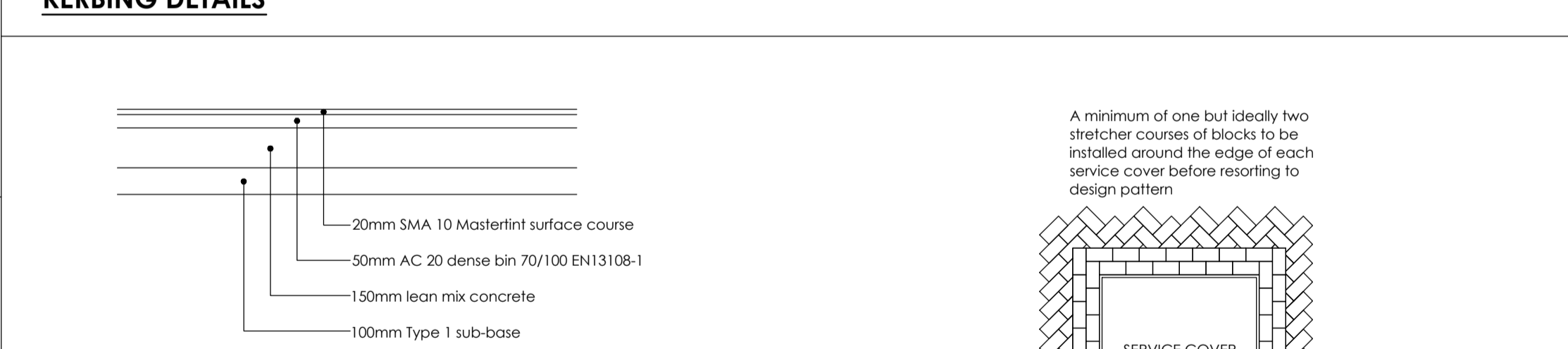
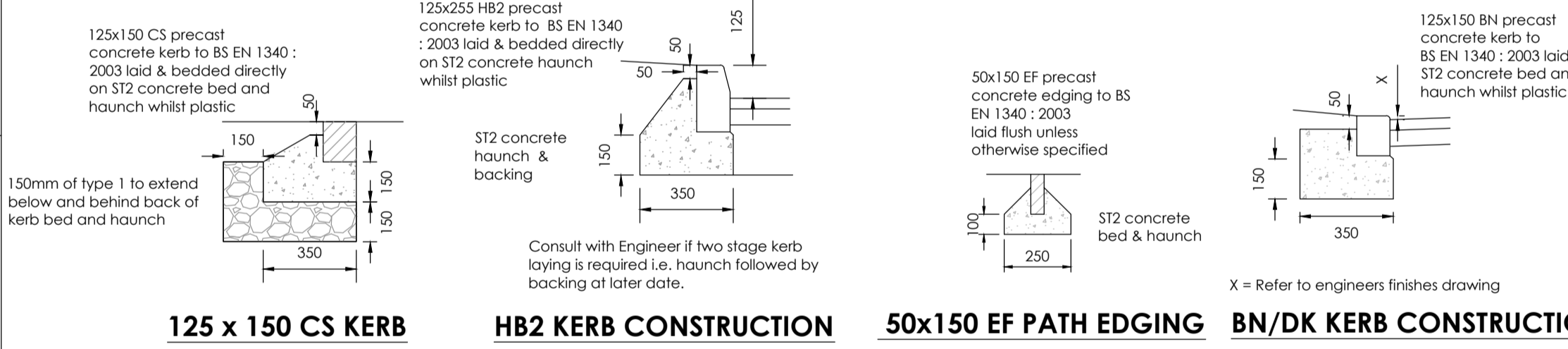
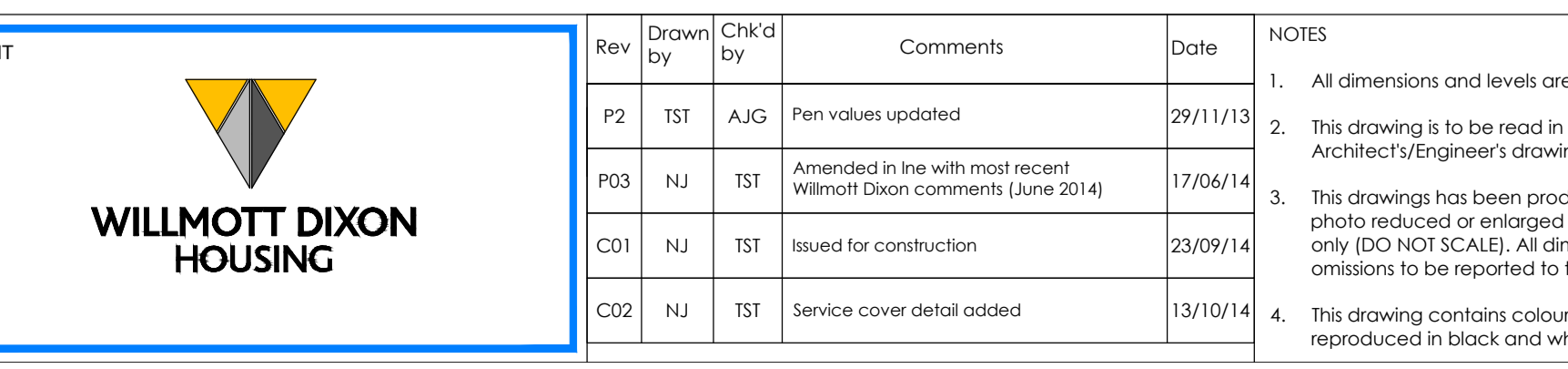
**DETAIL B - ADOPTABLE PERMEABLE PAVING CONSTRUCTION**



**RECYCLED GLASS FEATURE AREAS**



**DETAIL E - JUNCTION DETAIL BETWEEN COMMUNITY STREETS AND GREEN LANES**



Add detail of timber posts in wave style (community street 5)

**WILLMOTT DIXON HOUSING**

REVIEWED

PRELIMINARY	STATUS
FOR COMMENT	A
FOR CONSTRUCTION	B
SIGNED	ND
DATE	27.10.14

TITLE

Adoptable Highway Details  
Bicester Eco Village  
Bicester  
Oxfordshire

DRAWING NUMBER  
12-1196-20 Rev C02



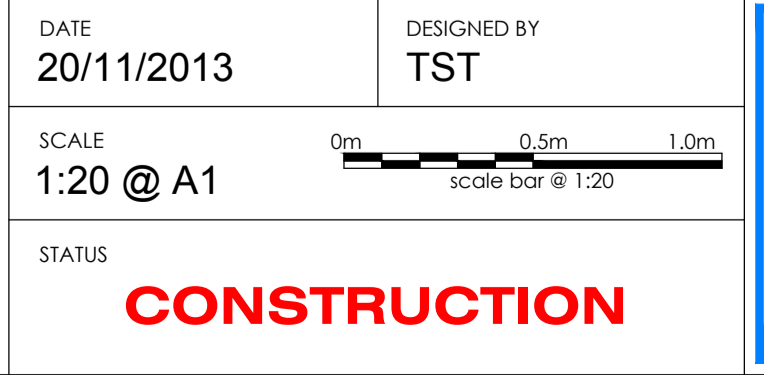
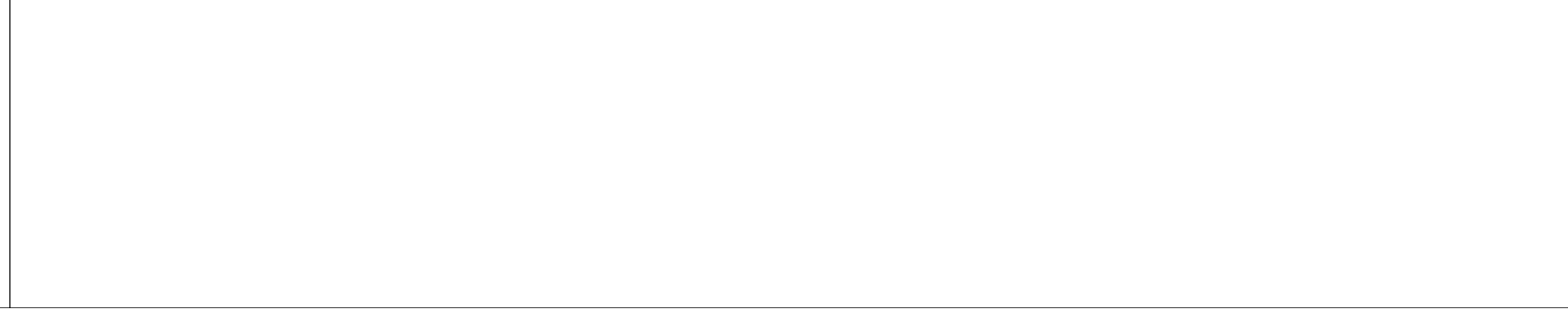
Rev	Drawn by	Chk'd by	Comments	Date	NOTES
P2	TST	AJG	Pen values updated	29/11/13	1. All dimensions and levels are in metres unless otherwise noted
P03	NJ	TST	Amended in line with most recent Willmott Dixon comments (June 2014)	17/06/14	2. This drawing is to be read in conjunction with the relevant Architect's/Engineer's drawings, specifications and CDM documentation
C01	NJ	TST	Issued for construction	23/09/14	3. This drawings has been produced electronically and may have been photo reduced or antarged when copied. Work to figure and dimensions only (DO NOT SCALE). All dimensions to be checked on site. Any errors or omissions to be reported to the engineer immediately.
C02	NJ	TST	Service cover detail added	13/10/14	4. This drawing contains coloured lines / information that may not be clear if reproduced in black and white.

DATE  
20/11/2013

DESIGNED BY  
TST

SCALE  
1:20 @ A1

STATUS  
**CONSTRUCTION**



**INFRASTRUCT CS LTD**  
Consulting Civil and Structural Engineers

26A High Street, Eynsham, Oxford OX29 4HB  
Tel: 01865 861672  
Email: info@infrastructcs.co.uk  
Web: www.infrastructcs.co.uk