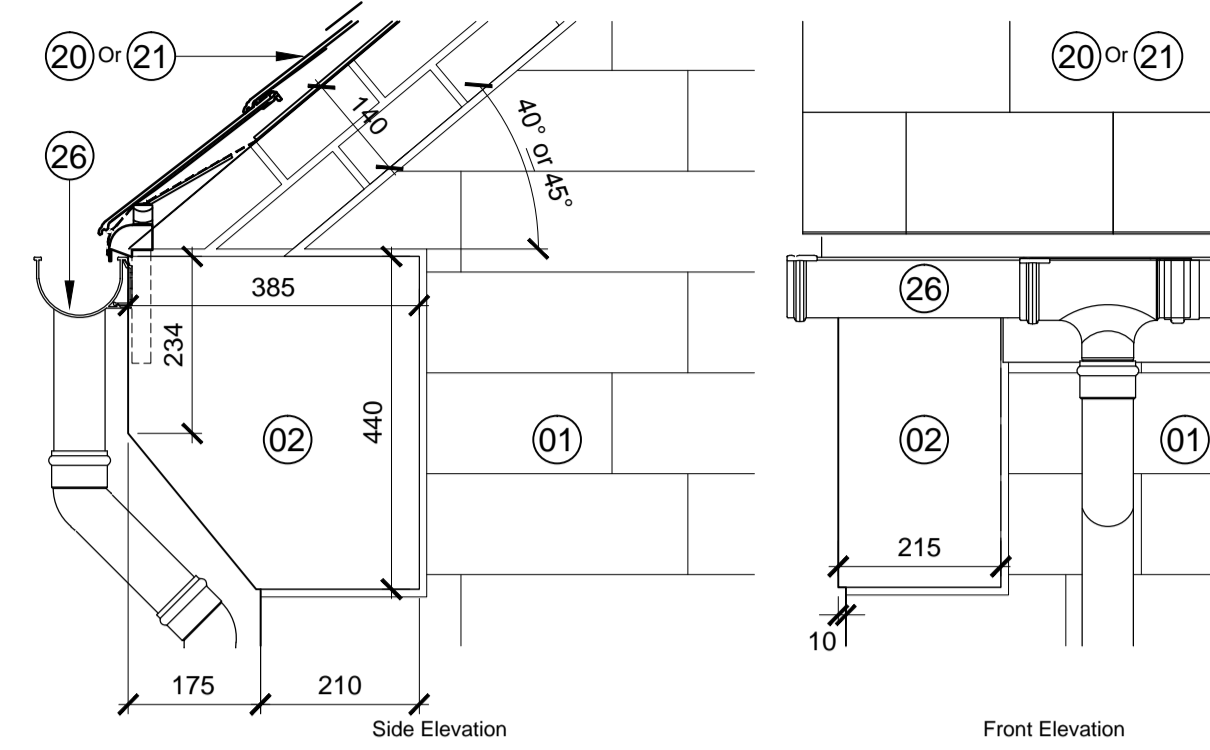
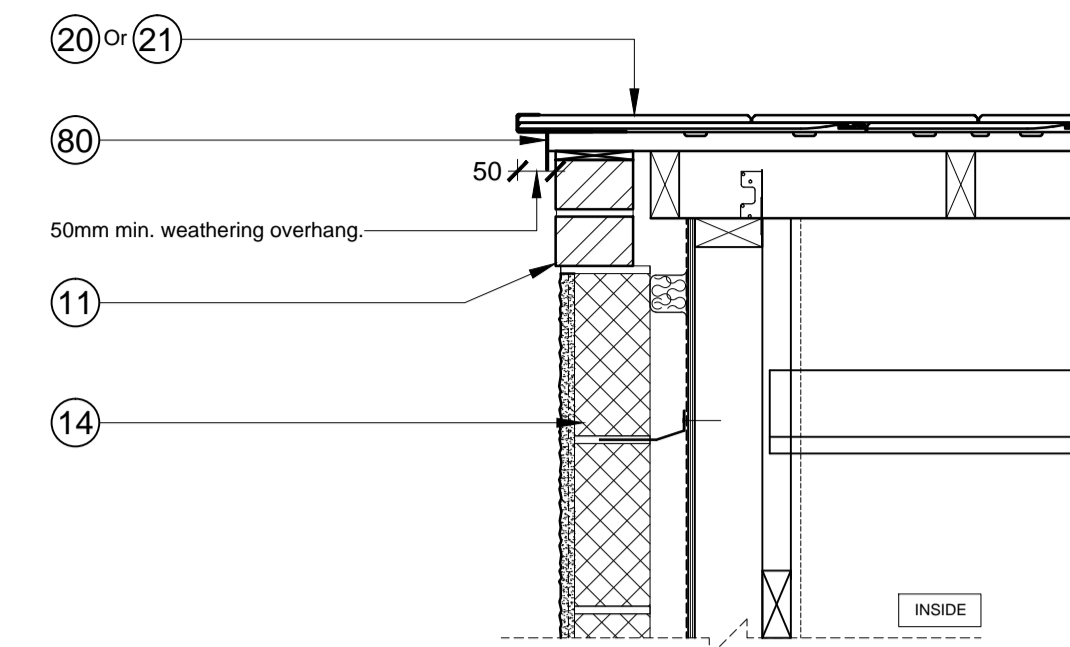


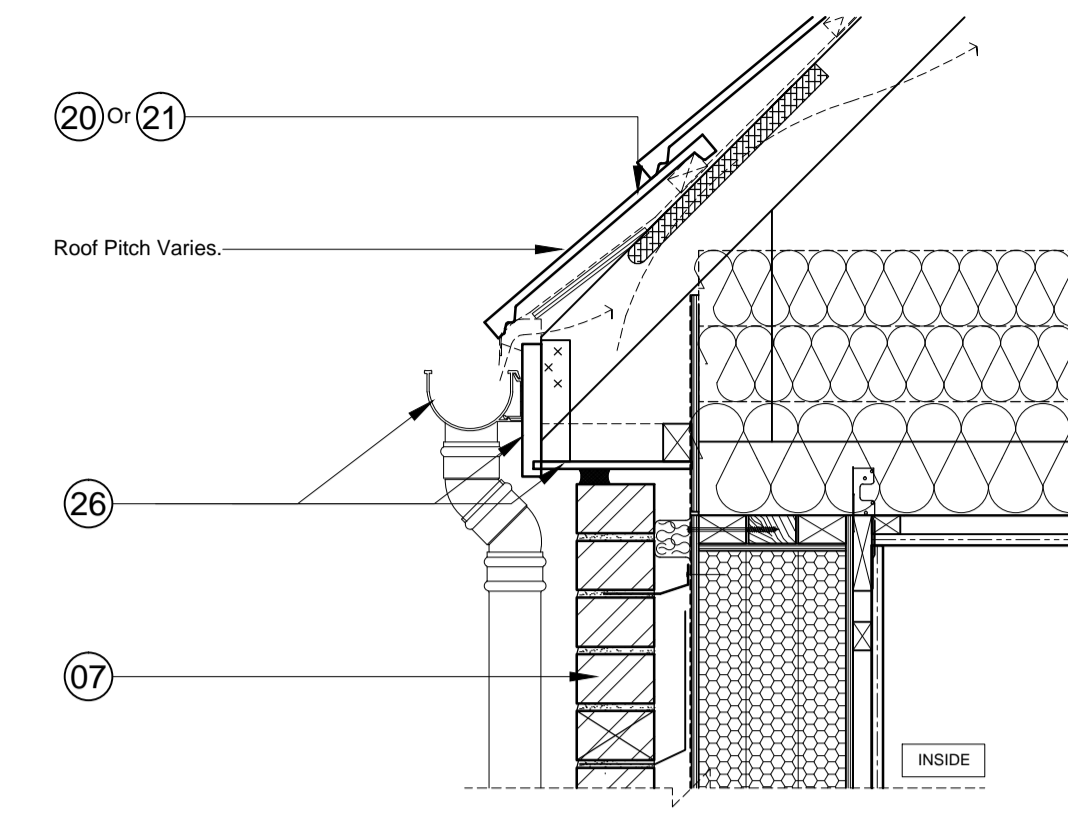
**A** Verge Detail - Bekstone on Gable end  
Type 1 - Bekstone



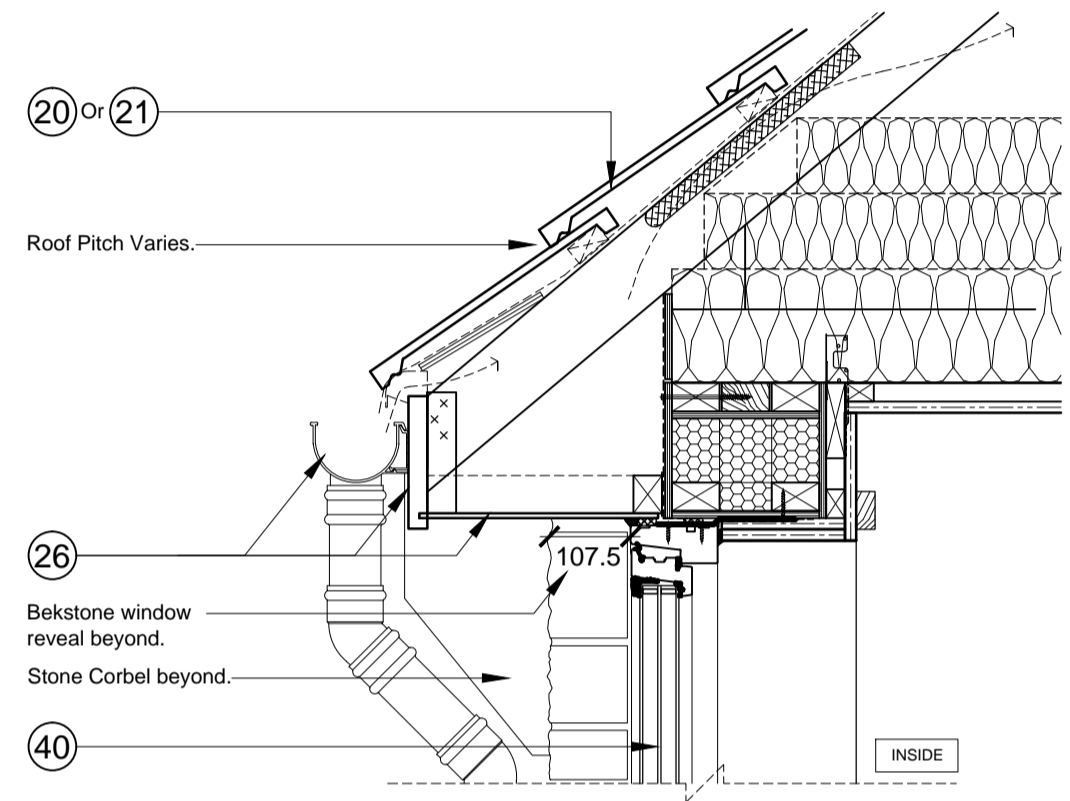
**E** Corbel Detail - Stone  
Type 1 - Bekstone Ground & First floor



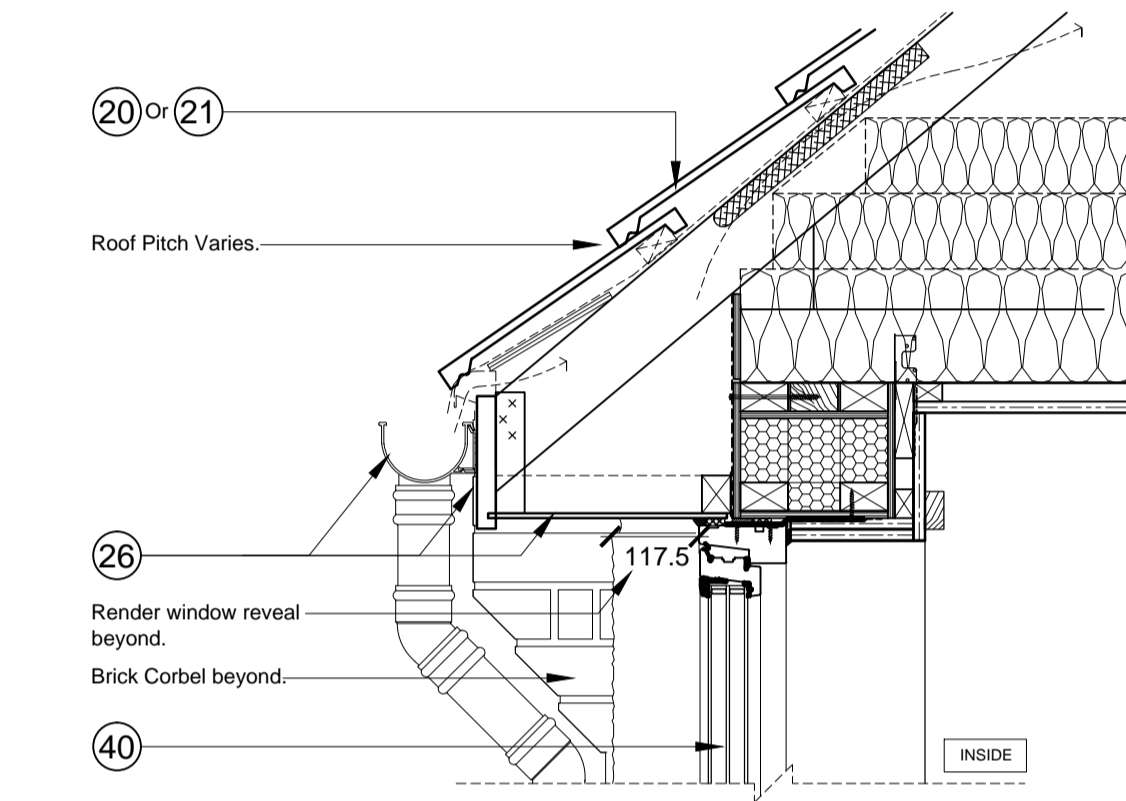
**I** Verge Detail - Render on Gable end  
Type 1 - Bekstone OR Brickwork with Render to First



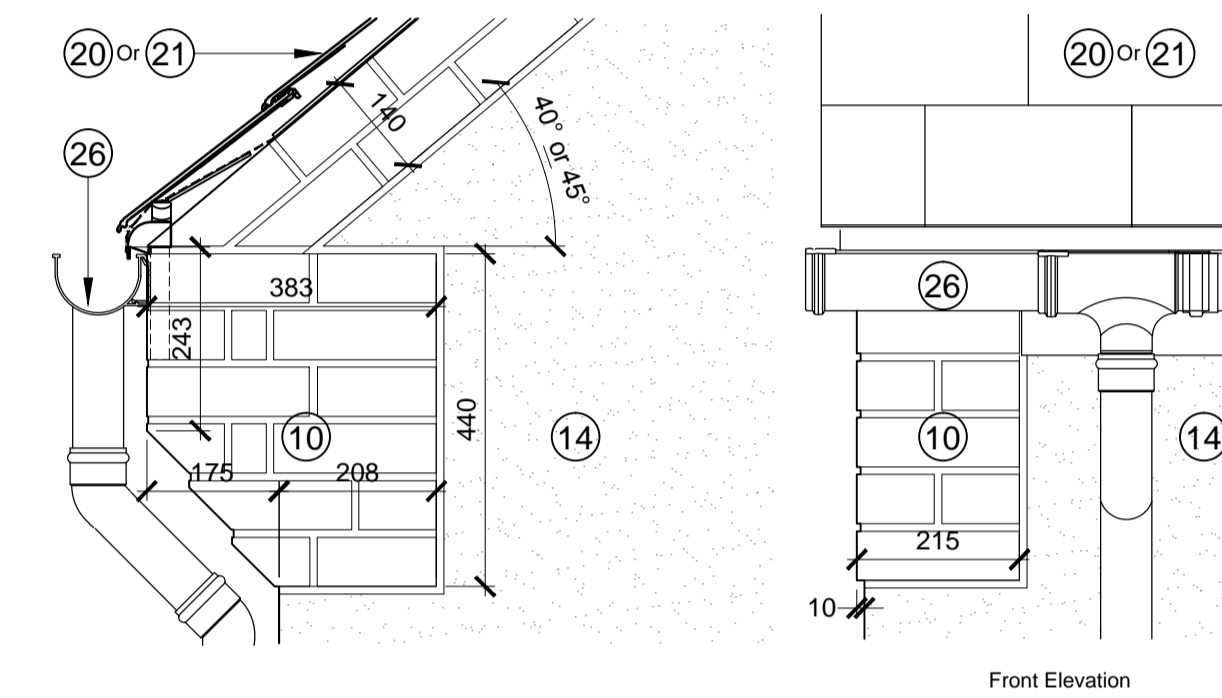
**M** Eaves Detail  
Type 3 - Brickwork



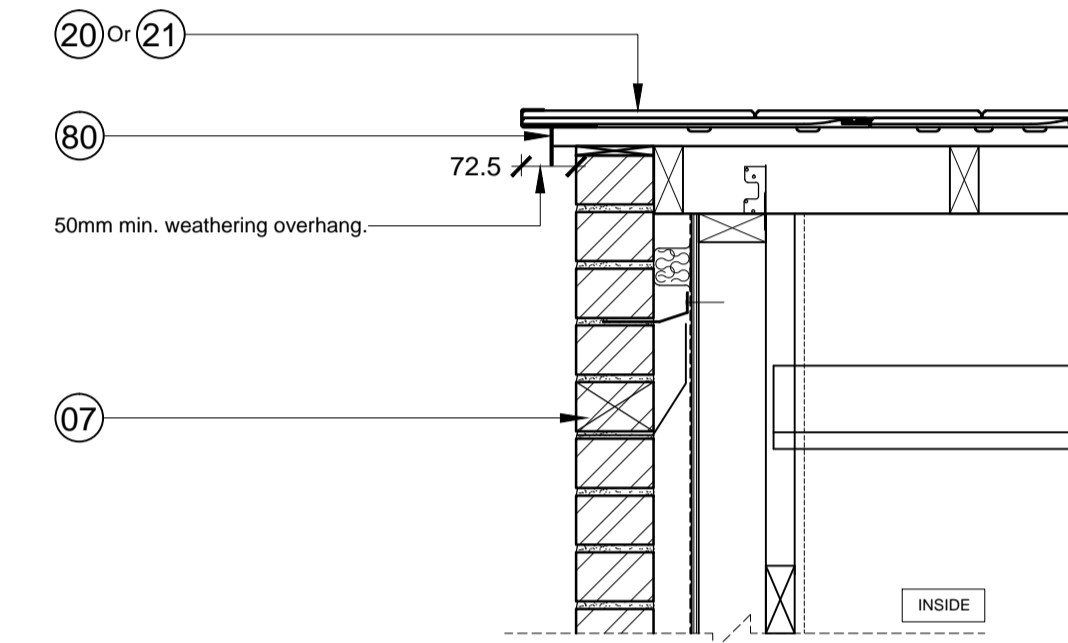
**B** Eaves Detail  
Type 1 - Bekstone



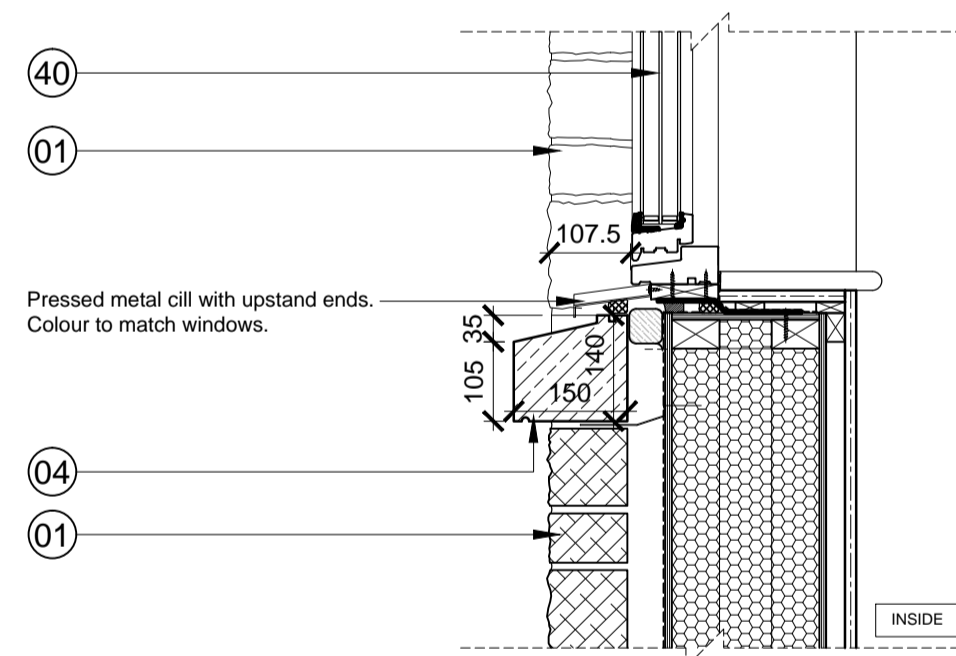
**F** Eaves Detail  
Type 1 - Render



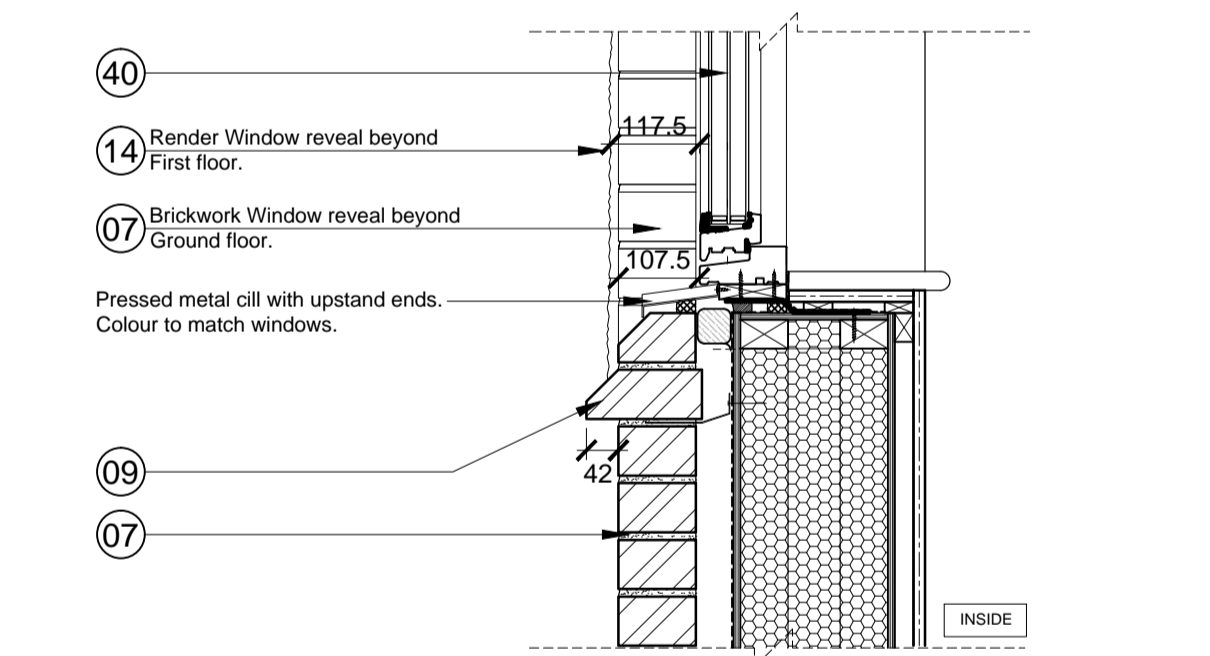
**J** Corbel Detail - Brick  
Type 1 - Brickwork with Render to 1st Floor



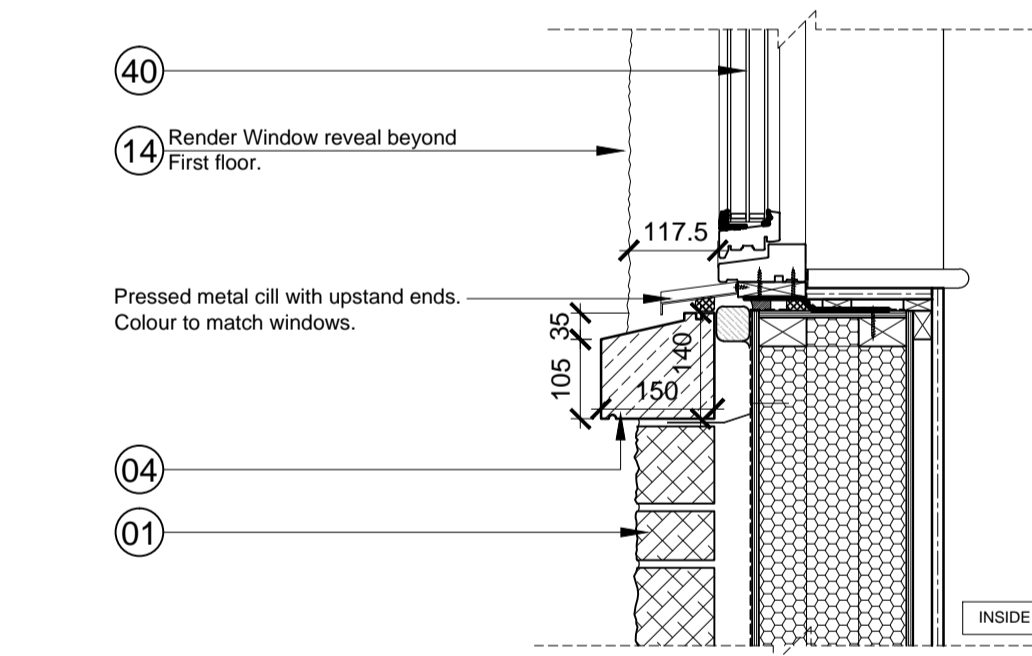
**N** Verge Detail - Brickwork  
Type 3 - Brickwork



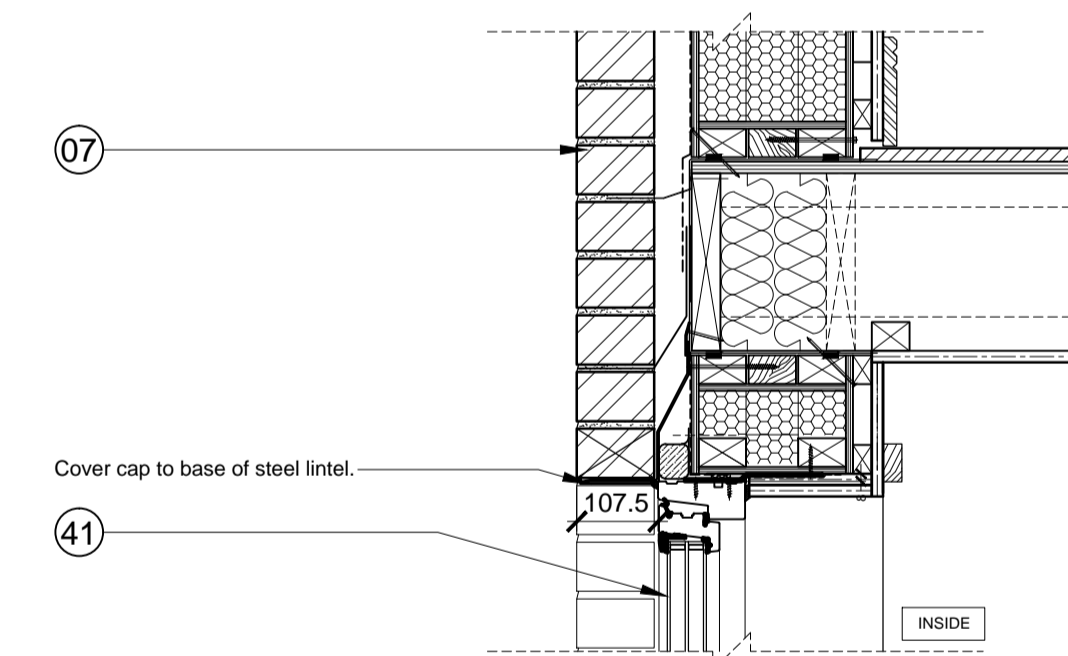
**C** Window Detail - Stone Cill  
Type 1 - Bekstone



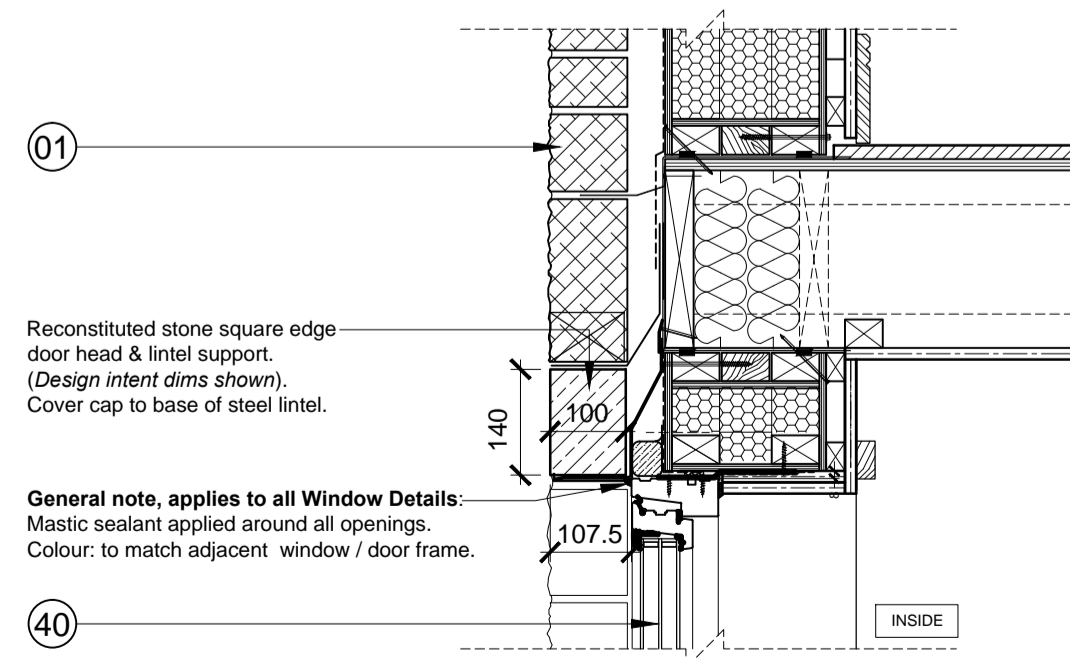
**G** Window Detail - Cant Brick Cill  
Type 1 - Brickwork / Render



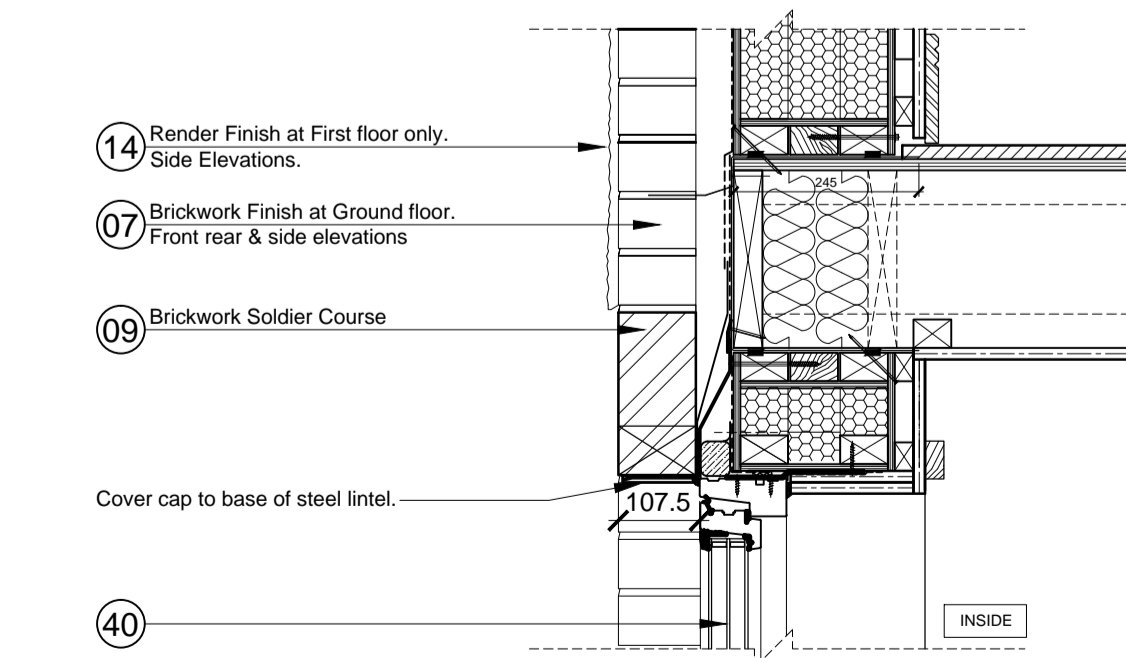
**K** Window Detail - Stone Cill  
Type 1 - Bekstone with Render to 1st Floor



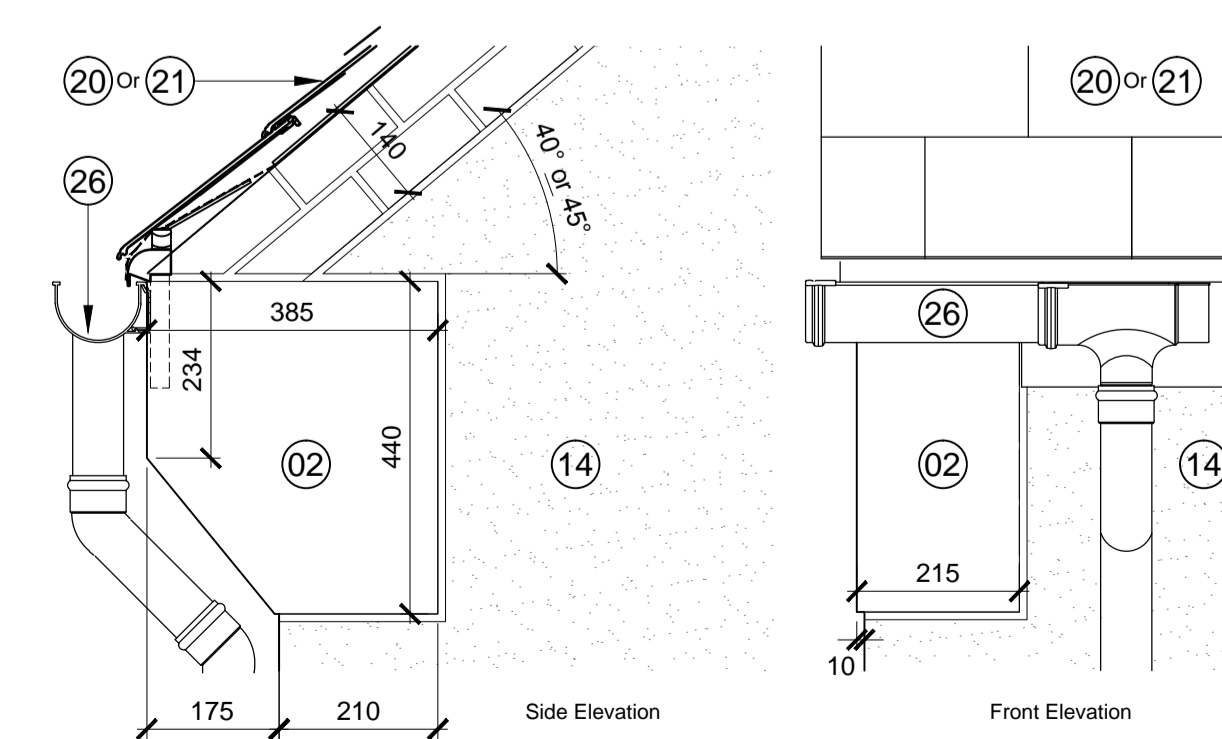
**O** Window Head Detail  
Type 3 - Brickwork



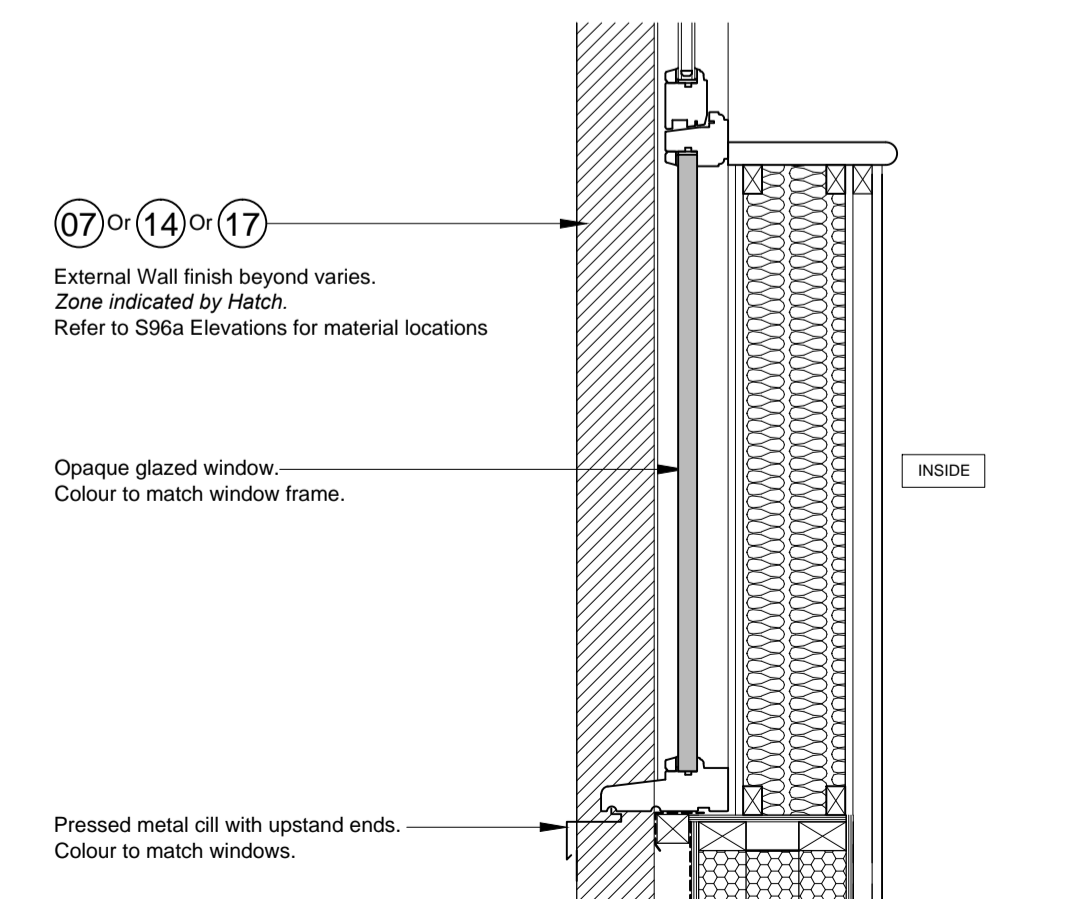
**D** Window Detail - Stone Head  
Type 1 - Bekstone



**H** Window Head Detail - Brick Solider Course  
Type 1 - Brickwork



**L** Corbel Detail - Stone  
Type 1 - Bekstone with Render to First floor



**P** Spandrel Detail  
Type 3

The contractor is responsible for checking dimensions, tolerances and references. Any discrepancy to be verified with the Architect before proceeding with the works. Where an item is covered by drawings to different scales the larger scale drawing is to be worked to.

Do not scale drawing. Figured dimensions to be worked to in all cases. CDM REGULATIONS 2015. All current drawings and specifications for the project must be read in conjunction with the Designer's Hazard and Environment Assessment Record

All intellectual property rights reserved.

**KEY**

- 01 Coursed stonework [Bekstone 'Natural light weathered' (tumbled); laid in random course heights - no jumpers]
- 02 Reconstituted stone corbel unit [colour: Oolite]
- 03 Projecting reconstituted stone string course [colour: Oolite] to divide Bekstone below from render above.
- 04 Reconstituted stone [colour: Oolite] heads with drip detail and stooled cill
- 07 Face brickwork - Ibstock 'Capital Multi Stock'; laid stretcher bond with natural colour bucket handle mortar joints.
- 09 Brickwork window heads & cant brick cills; type / colour: to match face brickwork
- 10 Brickwork corbel; type / colour: to match face brickwork
- 11 Clipped verge detail. 2No. courses face brickwork laid stretcher bond with natural colour bucket handle mortar joints; brick type / colour: Ibstock 'Capital Multi Stock'.
- 13 Horizontal timber cladding [Thermowood; with natural untreated finish]
- 14 Through colour render; colour: Ivory (by K Rend or similar)
- 16 Reconstituted stone cill [colour: Oolite]
- 17 Vertical timber cladding [Thermowood; with natural untreated finish]
- 20 Marley 'Rivendale' composite slate and ridge tile
- 21 Bradstone Cotswold roof tile and ridge tile
- 23 Roof designated for meadow grass (Bauder Green Roof or similar)
- 25 PPC aluminium coping; colour: Grey (RAL 7015)
- 26 UPVC gutters & down pipes; colour: black. Fascia & soffit board; colour: White (Types 1&8); Grey - RAL 7015 (Type 3 & E)
- 27 Clipped verge detail
- 40 High performance triple glazed timber window (Rational Aura or similar) design to match house type; colour: White
- 41 High performance triple glazed timber window (Rational Aura or similar) design to match house type; colour: Grey (RAL 7015)
- 67 Spandrel Panel: Horizontal timber cladding [Thermowood; with natural untreated finish]
- 80 Proprietary dry fix roof verge system shown indicatively. Subject to roof tile Supplier/Manufacturer installation details & recommendations.

**General Notes:**

- 'Key' text above based on S96a Elevation Dwg series: AA2699C(2)-2100 to 2126, with supplementary info added for products.
- Refer to S96a Elevations for any colour identification where noted.
- Timber Roof / Wall / Floor Panels / Linings + internal finishes ETC are all indicative & subject to detailed design.
- Any dimensions shown indicate intended design. Subject to subcontractor/supplier installation design & recommendations.
- To be read in conjunction with external materials schedule doc: AA2699C(2)\_06-01\_010

05.02.2016 Issued for Condition 15 Discharge & Planning approval. MEF RS  
Rev Date Description Dwn Ckd

**BICESTER ECO TOWN - PHASE 2**

**CONDITION 15  
DETAILS - SHEET 1**

**AA2699C(2) 2510 REV -  
PLANNING**

Drawn MEF Checked RS Date JAN 2016 Scale @ A1 1:10