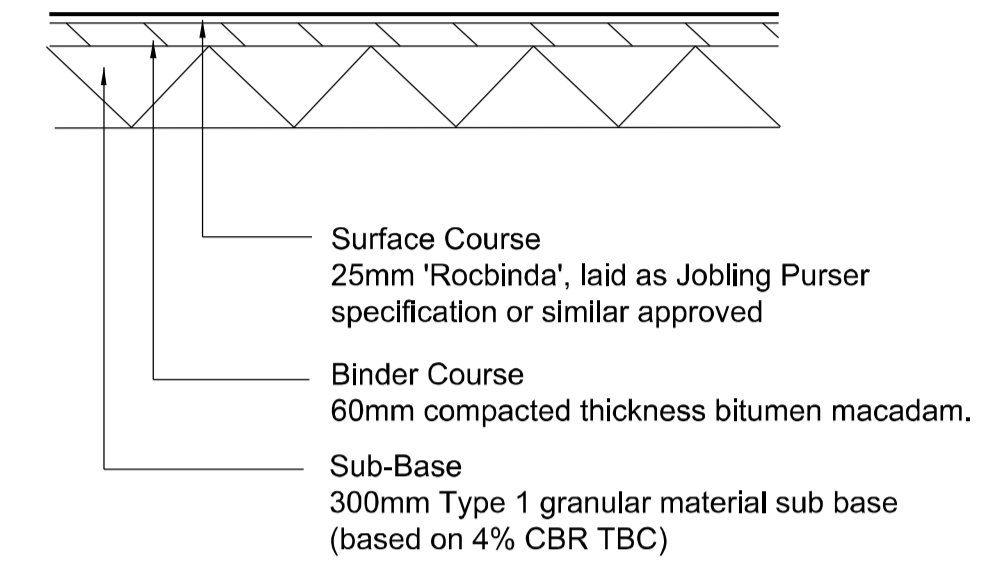
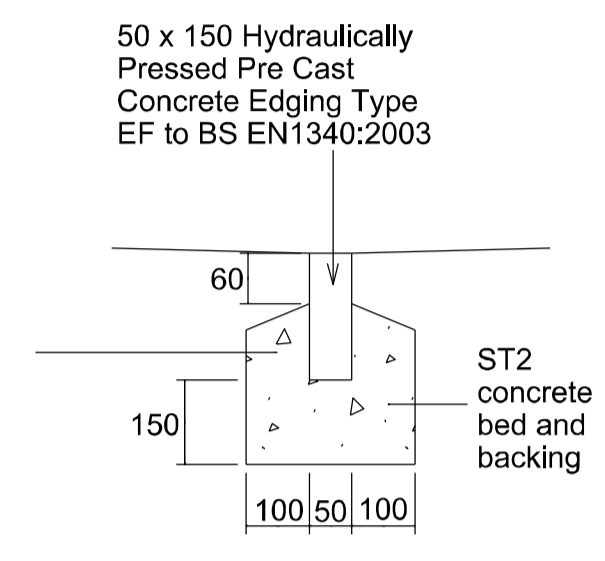


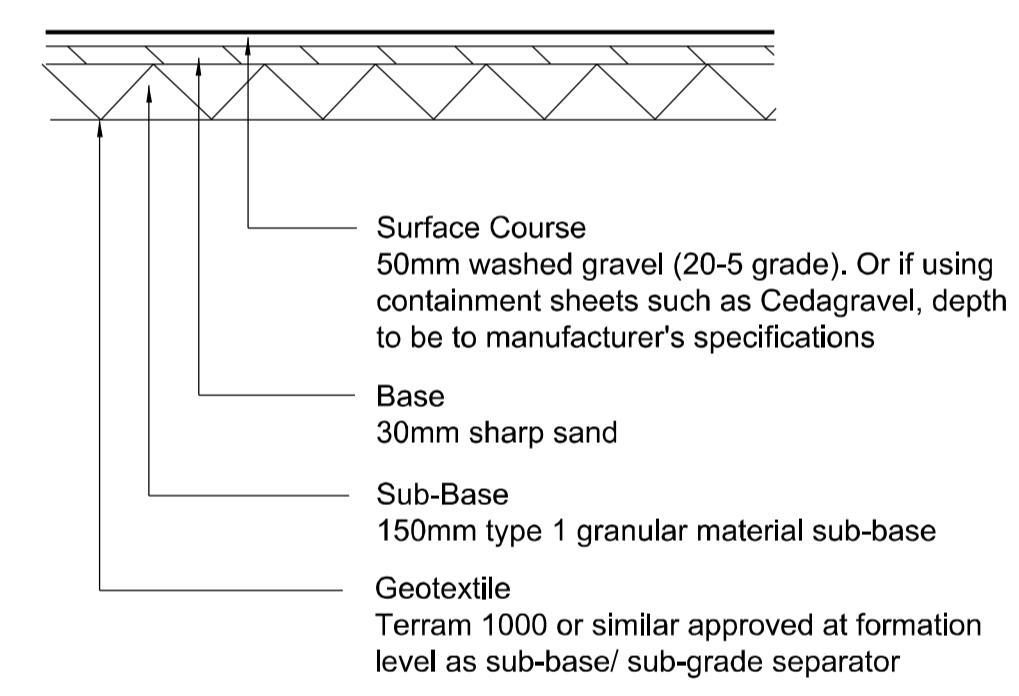
- Contractors must check all dimensions on site. Only figured dimensions are to be worked from. Discrepancies must be reported to the Architect or Engineer before proceeding. © This drawing is copyright
- Reproduced from OS Sitemap @ by permission of Ordnance Survey® on behalf of The Controller of Her Majesty's Stationery Office. © Crown copyright 2008. All rights reserved. Licence number 100007126.
- For private drives and plot external works refer to Bovis Typical Details



IMPERMEABLE DRIVE DETAIL

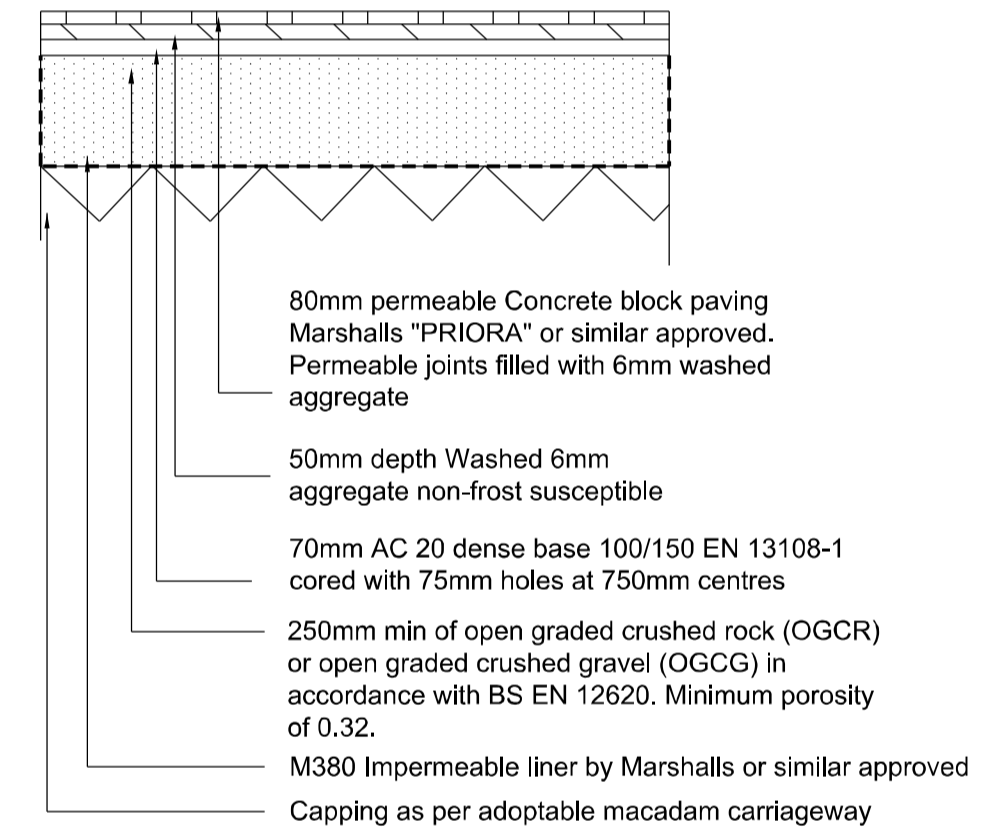


EDGING (EF)



PERMEABLE DRIVE DETAIL

Alternative to impermeable surfacing where infiltration is viable. Where drive abuts the adoptable highway, acceptability to be confirmed with OCC Highways



PRIVATE POROUS BLOCK PAVING DETAIL

- Private drive blockwork colour to be natural.

Revision	Description	Drawn	Checked	Date
	Preliminary <input checked="" type="checkbox"/> Information <input type="checkbox"/> Tender <input type="checkbox"/> Construction <input type="checkbox"/> As Built <input type="checkbox"/>			

Woods Hardwick
Architects, Engineers and Development Consultants

Title: **UPPER HEYFORD PARCEL D2a**

Details: **TYPICAL PRIVATE ROAD/ DRIVE CONSTRUCTION DETAILS**

Scale: NTS @ A1 Date: OCTOBER 2015 Drawn: AT JF

15-17 Goldington Road
Bedford MK40 3JH
United Kingdom
T: +44 (0)1234 268862
F: +44 (0)1234 353034
mail@woodsardwick.com
www.woodsardwick.com

HEYF/5/869

Please consider the environment before printing this drawing