

IF THERE SHOULD BE ANY DOUBT OR QUERY REGARDING THE INTERPRETATION OF THE INFORMATION GIVEN ON THIS DRAWING, PLEASE ENQUIRE DIRECTLY TO THE ADDRESS AND TELEPHONE NUMBER ABOVE BEFORE EXECUTING SUCH PART OF THE WORK.

Tolerances (unless stated otherwise)
Angular : +/-0.5 Degs
Hole centres : +/-1.00mm
Linear : +/-1.50mm

ALL DIMENSIONS IN mm unless stated otherwise

D	Incoming ducts amended. J.C. 22/06/2015.
C	Incoming ducts note added. J.C. 22/06/2015.
B	Electrical column relocated, CCTV, PA, WIFI, IL & Traction bond added. J.C. 08/06/2015.
A	Leg centres & overall length amended. J.C. 24/03/2015.

REV	DESCRIPTION.
-----	--------------

SCALE	1:250	CHK'D	
-------	-------	-------	--

DATE	12/03/15	DR'N	JC
------	----------	------	----

PROJECT
Bicester Village Stn.

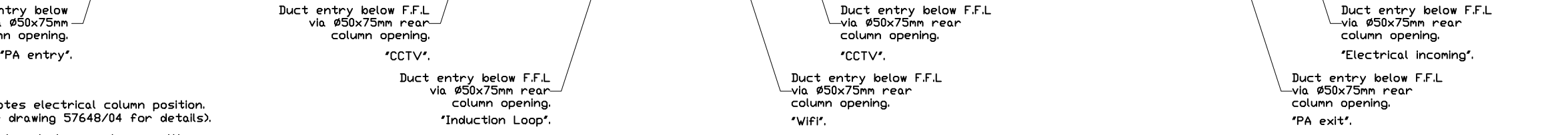
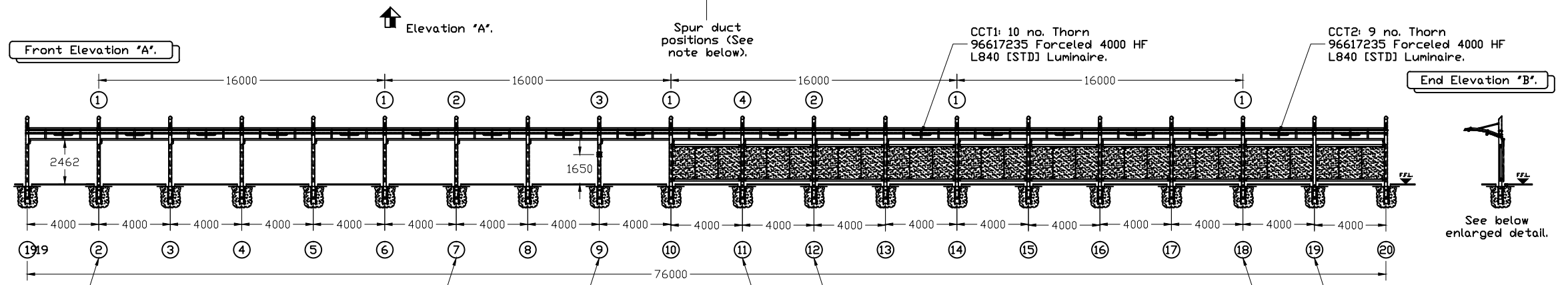
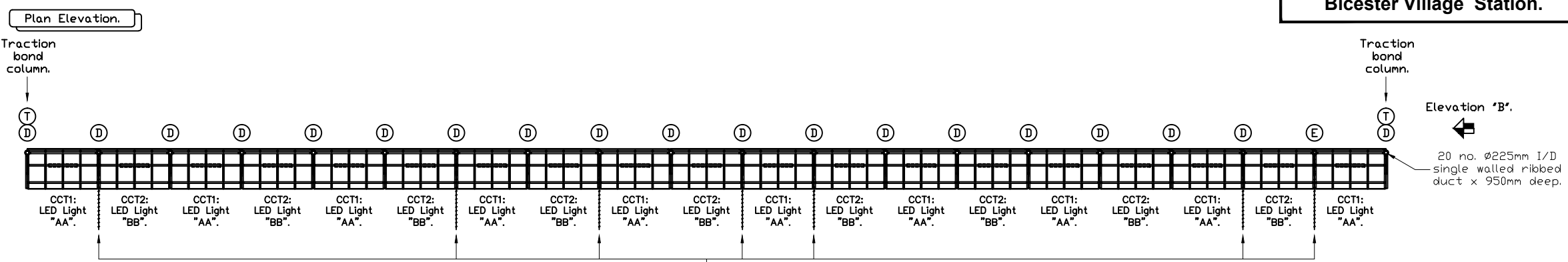
CLIENT
Carillion Buckingham.

TITLE
General Arrangement.

JOB No
57648

DRG No
57648/01/D

Bicester Village Station.



- Key:
- Ⓔ Denotes electrical column position. (See drawing 57648/04 for details).
 - Ⓓ Denotes drainage column positions. (See drawing 57648/09 for details).
 - Ⓙ Traction bonding positions. (See drawing 57648/09 for details).
 - ① Denotes PA positions. (See drawing 57648/05 for details).
 - ② Denotes CCTV positions. (See drawing 57648/06 for details).
 - ③ Induction Loop position. (See drawing 57648/07 for details).
 - ④ Denotes WIFI position. (See drawing 57648/08 for details).

- Spur duct positions:-
- Column ② PA entry.
 - Column ⑦ CCTV incoming.
 - Column ⑨ Induction Loop incoming.
 - Column ⑪ WIFI incoming.
 - Column ⑫ CCTV incoming.
 - Column ⑱ PA exit.
 - Column ⑲ Electrical incoming.
- Set at 350mm below top of column duct Ø70x150mm access slot.

