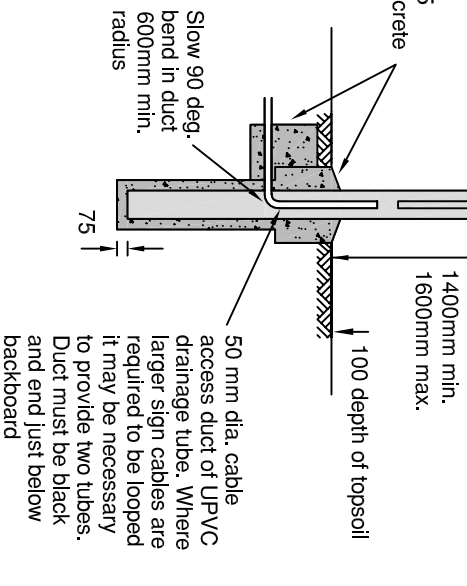
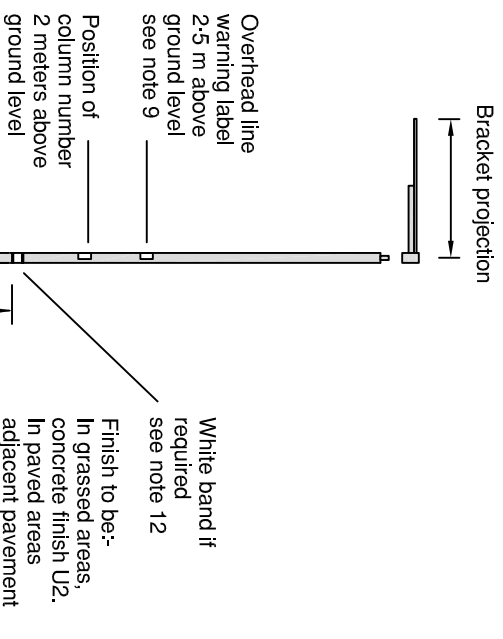
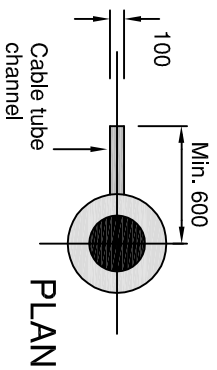


COLUMN HOLE EXCAVATION ELEVATION



ERECTED STREET LIGHTING COLUMN

Table 3.1 Standard Conventional Column Assemblies

Mounting height (metres)	Maximum projection (metres)	Planting Depth (m)		Minimum shaft / base Dia. (mm) for tubular steel	Minimum shaft / base thickness (mm) for tubular steel
		octagonal	tubular		
5	0.5	0.8	0.8	76 / 140	3.0 / 5.0
6	0.5	1.0	1.0	76 / 140	3.0 / 5.0
8	0.5	1.2	1.2	114 / 168	3.2 / 5.0
8	0.5 (x2)	1.2	1.2	114 / 168	3.2 / 5.0
10	1.5	1.5	1.5	114 / 168	3.6 / 6.0
10	1.5 (x2)	1.5	1.5	114 / 168	3.6 / 6.0
12	2.0	1.7	1.7	140 / 194	3.6 / 6.0
12	2.0 (x2)	1.7	1.7	140 / 194	3.6 / 6.0
15	2.0 (x2)	2.0	2.0	n/a octagonal only	—

Notes

- All dimensions are in millimetres unless shown otherwise.
- For details of locations of street lighting columns, see street lighting layout drawings and schedules.
- The shaft shall be left for 48 hours before the bracket arm is attached to the shaft.
- All columns shall be numbered at the time of erection in 50mm high black figure(s) on a white background. This is to be a self adhesive (one piece) label manufactured by BRADY B-580 (outdoor marking vinyl film in high gloss with permanent adhesive) or equivalent. Numbers are applied 2m above ground level, and shall face the carriageway.
- Lantern grub screws shall where indicated by the manufacturer be tightened to the correct torque setting with an approved torque wrench.
- All column bracket arm grub screws shall have a 'baked on' nylon patch.
- Standard concrete mixes shall comply with clause 2602.
- Columns situated within 20 metres of LV overhead power lines to have warning labels fitted complying to BS 5378 part 1 'Danger overhead live wires' (for details see HSD/13/045).
- Columns situated in close proximity or directly below HV overhead power lines to have warning labels fitted see HSD 13/046 & 13/047.
- For wiring details see HSD 14/045.
- White banding is required when a post is causing an obstruction in a footway. That is when a post is more than 0.3m from back edge of kerb a white band of non-reflective self-adhesive premium vinyl tape (3M 100-10 or equivalent) shall be applied. Band width 200mm :-
25mm black, 150mm white, 25mm black. Height of lower edge above ground 1400mm min. to 1600mm max.
- Columns in vulnerable positions to have column barrier protection system see HSD/12/304.
- All columns to be heavy duty see table 3.1.

n	Notes 13/14 & column table added tables A/B removed	01.16
m	Note 4 amended & note 5 removed	10.15
l	Note 12 amended	07.14
k	Note 12 amended	05.13
j	Note 4 amended	02.11
i	Note 4 amended	11.08
h	Note 12, Col. No. height amended	02.06
g	Note 12 & white band added	03.05
f	Notes 10,11 added, planting depths reduced	06.99
e	Re-issued	03.97
d	Table B added	11.95
c	Planting depths increased	01.95
b	Note 9 added (overhead live wires)	05.93
a	Spec. 7th Ed. amendments	02.93

STREET LIGHTING COLUMNS : Column details

ILLUMINATED SIGNS AND STREET LIGHTING



OXFORDSHIRE COUNTY COUNCIL
www.oxfordshire.gov.uk

Oxfordshire County Council
Speedwell House
Speedwell Street
Oxford OX1 1NE
Tel: Oxford 01865 815700

© Unauthorised reproduction infringes copyright

Scale

Not to Scale

Drawn
Traced
Checked

Initials

Date

Index
Drawing No.

HSD/13/005n

Date

Category
1